

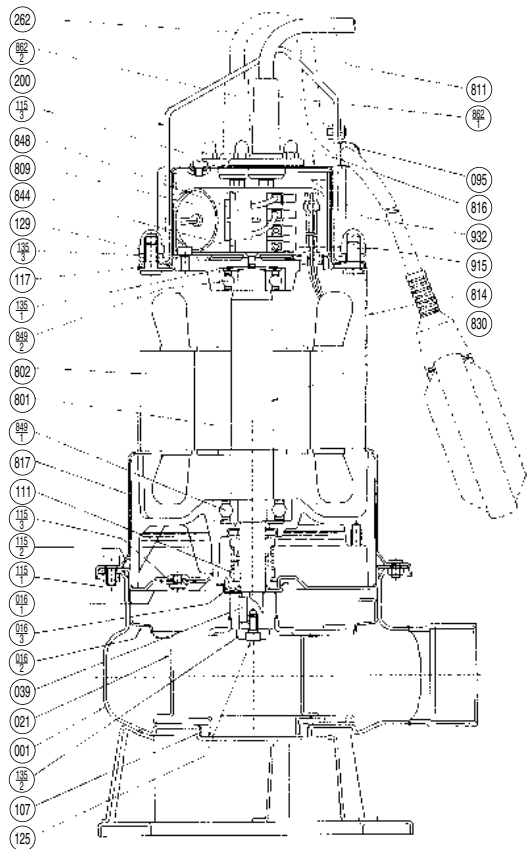
EBARA Submersible Stainless Steel Pumps DWU, DWAU, DWXU, DWXAU – Dominator

Sectional View

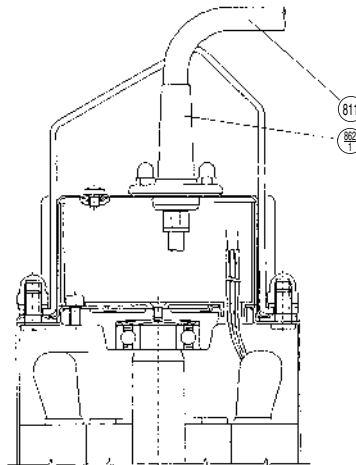
Project: _____ Model: _____ Chk'd: _____ Date: _____

Model DWU, DWXU Manual Type
Model DWAU, DWXAU Automatic Type

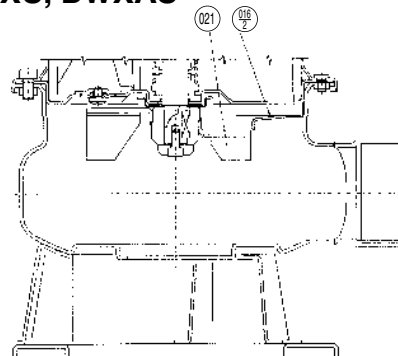
DWU, DWAU Single Phase Motor



Three Phase Motor



DWXU, DWXAU



Part No.	Part Name	Material	ASTM, AISI Code	No. for 1 Unit
001	Casing	304 SS	AISI 304	1
016-1	Casing Cover	304 SS	AISI 304	1
016-2	Disk	304 SS	AISI 304	1
016-3	Seal Support	304 SS	AISI 304	1
021	Impeller	304 SS	AISI 304	1
039	Key	304 SS	AISI 304	1
095	Float Switch Stay	—		1
107	Casing Ring	Viton		1
*111	Mechanical Seal	—		1 Set
*115-1	O-ring	Viton		1
*115-2	O-ring	Viton		1
*115-3	O-ring	Viton		3
*117	Gasket	Viton		1
125	Impeller Bolt	304 SS	AISI 304	1
129	Nut	304 SS	AISI 304	4
135-1	Washer	304 SS	AISI 304	1
135-2	Washer	304 SS	AISI 304	1
135-3	Washer	304 SS	AISI 304	4

Part No.	Part Name	Material	ASTM, AISI Code	No. for 1 Unit
200	Lifting Hanger	304 SS	AISI 304	1
262	Float Switch	—		1
801	Rotor	—		1
802	Stator	—		1
809	Capacitor	—		1
811	Submersible Cable	—		1
814	Motor Frame	304 SS	AISI 304	1
816	Bracket	304 SS	AISI 304	1
817	Bracket	304 SS	AISI 304	1
830	Shaft	304 SS	AISI 304	1
844	Motor Protector Bracket	Plastic		1
848	Motor Protector	—		1
*849-1	Ball Bearing	—		1
*849-2	Ball Bearing	—		1
862-1	Cable Connector	Rubber (NBR)		1
862-2	Cable Connector	Rubber (NBR)		1
915	External Terminal	—		1
932	Capacitor Holder	Nylon		1

Remarks: *Recommended spare parts.
 Part No. 095, 262, 862-2 are installed only for automatic operation models.
 Part No. 107 is installed only for model DW/DWA/DWF/DWFA single channel impeller.
 Part No. 809 is installed only for single phase models.
 Part No. 915 is installed only for three phase models.



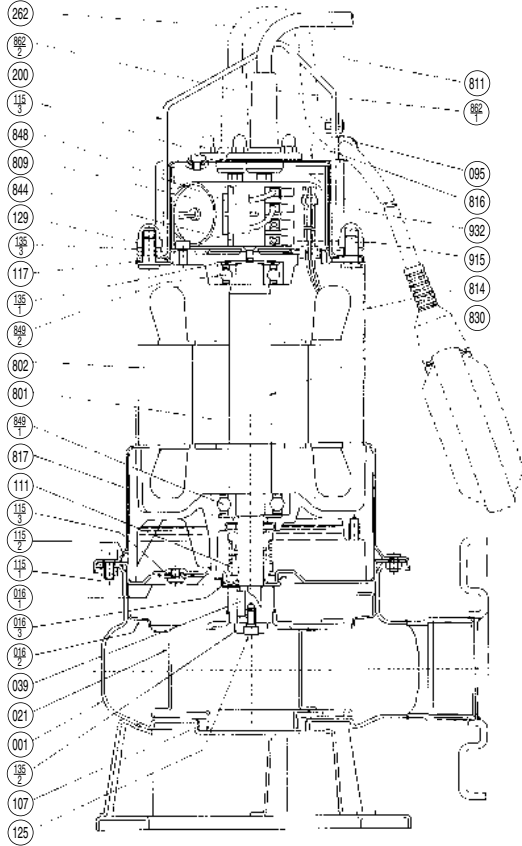
EBARA Submersible Stainless Steel Pumps DWFU, DWFAU, DWXFU, DWXFAU– Dominator

Sectional View

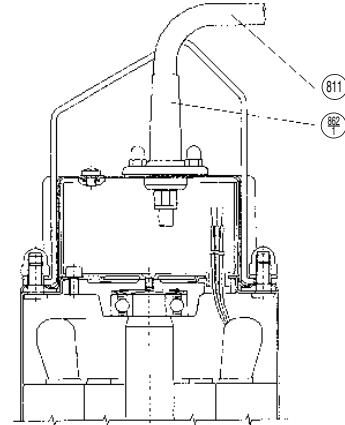
Project: _____ Model: _____ Chk'd: _____ Date: _____

Model DWFU, DWXFU Manual Type
Model DWFAU, DWXFAU Automatic Type

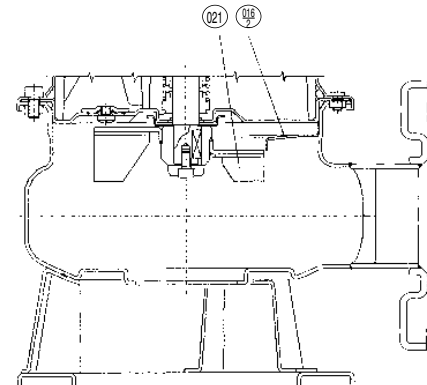
DWFU, DWFAU Single Phase Motor



Three Phase Motor



DWXFU, DWXFAU



Part No.	Part Name	Material	ASTM, AISI Code	No. for 1 Unit
001	Casing	304 SS	AISI 304	1
016-1	Casing Cover	304 SS	AISI 304	1
016-2	Disk	304 SS	AISI 304	1
016-3	Seal Support	304 SS	AISI 304	1
021	Impeller	304 SS	AISI 304	1
039	Key	304 SS	AISI 304	1
095	Float Switch Stay	—		1
107	Casing Ring	Viton		1
*111	Mechanical Seal	—		1 Set
*115-1	O-ring	Viton		1
*115-2	O-ring	Viton		1
*115-3	O-ring	Viton		3
*117	Gasket	Viton		1
125	Impeller Bolt	304 SS	AISI 304	1
129	Nut	304 SS	AISI 304	4
135-1	Washer	304 SS	AISI 304	1
135-2	Washer	304 SS	AISI 304	1
135-3	Washer	304 SS	AISI 304	4

Part No.	Part Name	Material	ASTM, AISI Code	No. for 1 Unit
200	Lifting Hanger	304 SS	AISI 304	1
262	Float Switch	—		1
801	Rotor	—		1
802	Stator	—		1
809	Capacitor	—		1
811	Submersible Cable	—		1
814	Motor Frame	304 SS	AISI 304	1
816	Bracket	304 SS	AISI 304	1
817	Bracket	304 SS	AISI 304	1
830	Shaft	304 SS	AISI 304	1
844	Motor Protector Bracket	Plastic		1
848	Motor Protector	—		1
*849-1	Ball Bearing	—		1
*849-2	Ball Bearing	—		1
862-1	Cable Connector	Rubber (NBR)		1
862-2	Cable Connector	Rubber (NBR)		1
915	External Terminal	—		1
932	Capacitor Holder	Nylon		1

Remarks: *Recommended spare parts.
 Part No. 095, 262, 862-2 are installed only for automatic operation models.
 Part No. 107 is installed only for model DW/DWA/DWF/DWFA single channel impeller.
 Part No. 809 is installed only for single phase models.
 Part No. 915 is installed only for three phase models.

