

EVMU / EVMUG

Model EVMU / EVMUG

EBARA Stainless Steel Vertical Multistage

Contents

Item No.	Specifications	Selection Chart	Performance Curve	Pump Dimensions	Sectional View
EVMU2	803	804	805	814	821
EVMU4			806		
EVMU8			807		
EVMU16			808	815	
EVMUG32			809		823
EVMUG45			810	817, 819	
EVMUG64			811	818, 819	825



Features

- **Standard NEMA motors**
- **Integral thrust bearing on 3 HP and larger pumps to handle axial thrust loads**
- **Air vent** in casing cover allows proper venting preventing air entrapment and dry run
- **Liner ring** is a self-aligning, floating design constructed to prevent swelling at high temperatures
- **Tungsten carbide lower pump bearings** and sleeves are standard construction for all services, providing maximum operating life
- **Direct drive** pump and motor shafts are keyed for positive, reliable power transmission with **no adjustments necessary**
- **“Flexible” floating outer casing** allows for thermal expansion in hot water applications, preventing deformation due to pressure fluctuations
- **Anti-erosion measures** – a dish-shaped insert is fitted to the intermediate casing designed to promote smooth flow and prevent high velocity areas that accelerate erosion
- **Square-edge spline shaft** provides positive location and drive of impellers eliminating wear from sliding between faces
- **Dimensions & flanges** – installation is to market accepted dimensions for easy upgrade of existing installations
- **Mechanical seal** – Silicon/Carbon/Viton mechanical shaft seal; cartridge seal standard on Models 32, 45, and 64
- **Positive Sealing** – O-rings between intermediate casings provide positive sealing

Applications

- **Water Supply**
- **Reverse Osmosis**
- **Water Boosting**
- **Washing Systems**
- **Fire Fighting**
- **Water Treatment Plants**
- **Boiler Feed**
- **Hot & Cold Water**
- **Circulation**
- **Irrigation**
- **Sprinkler Systems**
- **Filtration**
- **Heat Exchangers**

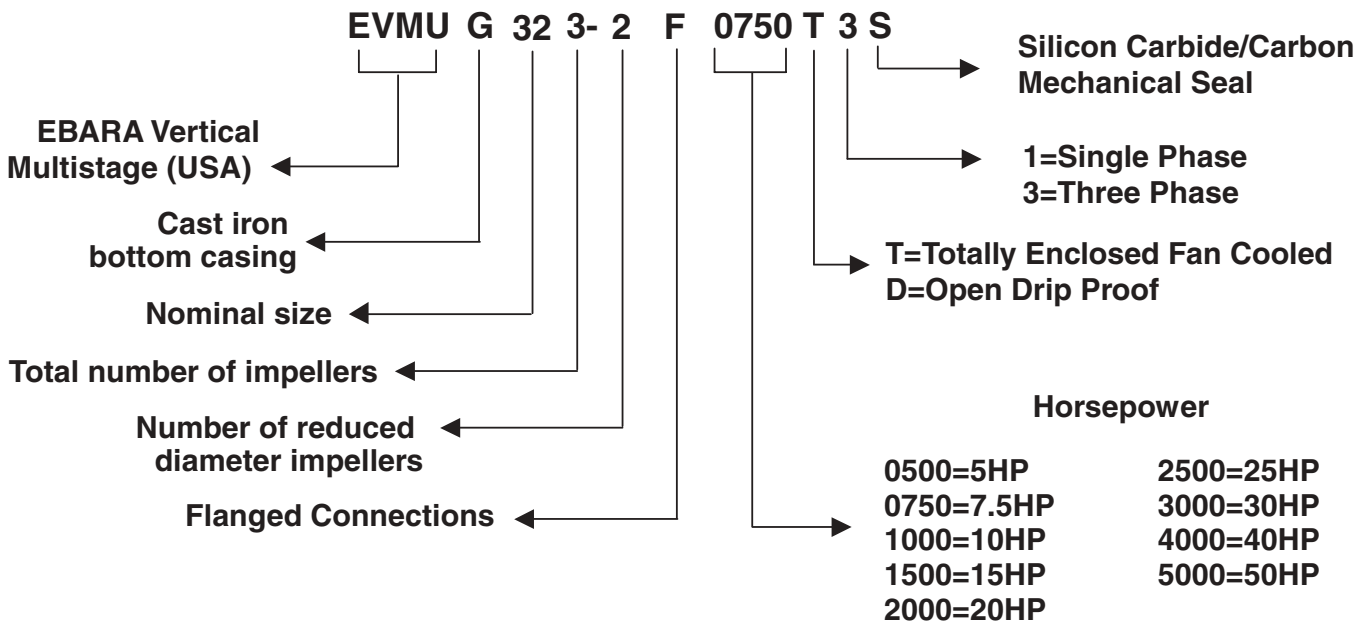
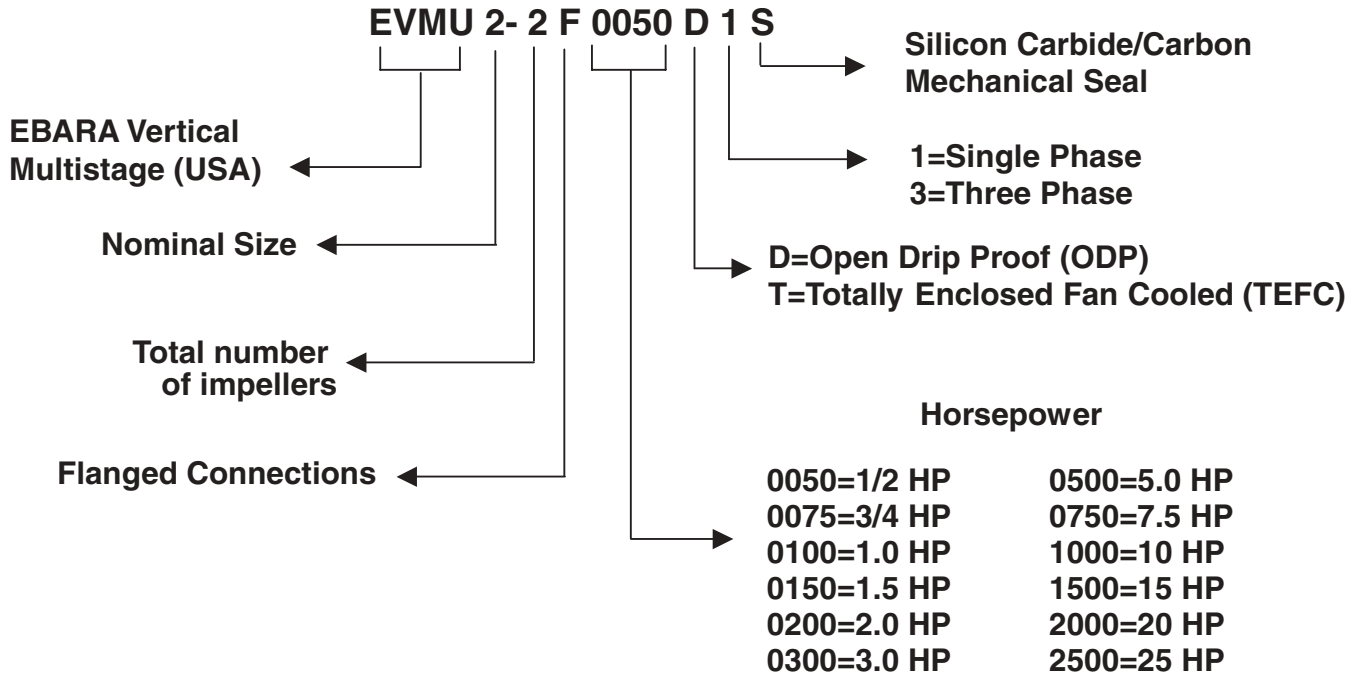


EVMU / EVMUG

Model EVMU / EVMUG

EBARA Stainless Steel Vertical Multistage

Model Designation



EVMU / EVMUG

Model EVMU / EVMUG

EBARA Stainless Steel Vertical Multistage

Specifications

	Standard		Optional
Size	EVMU	EVMUG	Companion Flange
Suction	ANSI raised face 1 1/4" for EVMU 2 and 4 2" for EVMU 8 and 16	ANSI raised face 2 1/2" for EVMUG32 3" for EVMUG45 4" for EVMUG64	
Discharge	1 1/4" for EVMU 2 and 4 2" for EVMU 8 and 16	2 1/2" for EVMUG32 3" for EVMUG45 4" for EVMUG64	
Range of HP	1/2 to 25HP	5 to 50HP	
Range of Performance	at 3450 RPM		
Capacity	4 to 118 GPM	66 to 390 GPM	
Head	27 to 825 feet	44 to 930 feet	
Liquid handled	Clean water		
Type of liquid	5° to +248°F (-15° to 120°C)		
Temperature	360 PSI (25 Bar) max.		
Working pressure	to 430PSI (30 Bar) max.		
Materials			
Impeller (closed centrifugal)	AISI 304L	AISI 304L	
Intermediate casing	AISI 304L	AISI 304L	
Bottom casing	AISI 304L	Cast iron	
Casing cover	AISI 304L	Cast iron	
Outer casing	AISI 304L	AISI 304L	
Shaft	AISI 316	AISI 316	
Liner ring	EPDM/AISI 304L	PTFE/316	
Motor bracket	Cast iron	Cast iron	
Base	Cast iron	Cast iron	
Pump Bearing	Sealed ball bearing/tungsten carbide		
Shaft Seal			
Mechanical seal	Standard	Cartridge type EVMUG32, 45, 64 Balanced seal for: EVMUG 32 9 EVMUG 32 10-1	
Material	Silicon/Carbide/Carbon/FPM		
Motor			Control Panel
Type	NEMA C/TSC frame		Single phase
Speed	60 Hz, 3450 RPM (2 poles)		50 Hz
Three Phase	208-230/460V		
Direction of Rotation	Clockwise when viewed from motor end		
Test standard	ISO 2548 Class C ISO 9906 annex A		



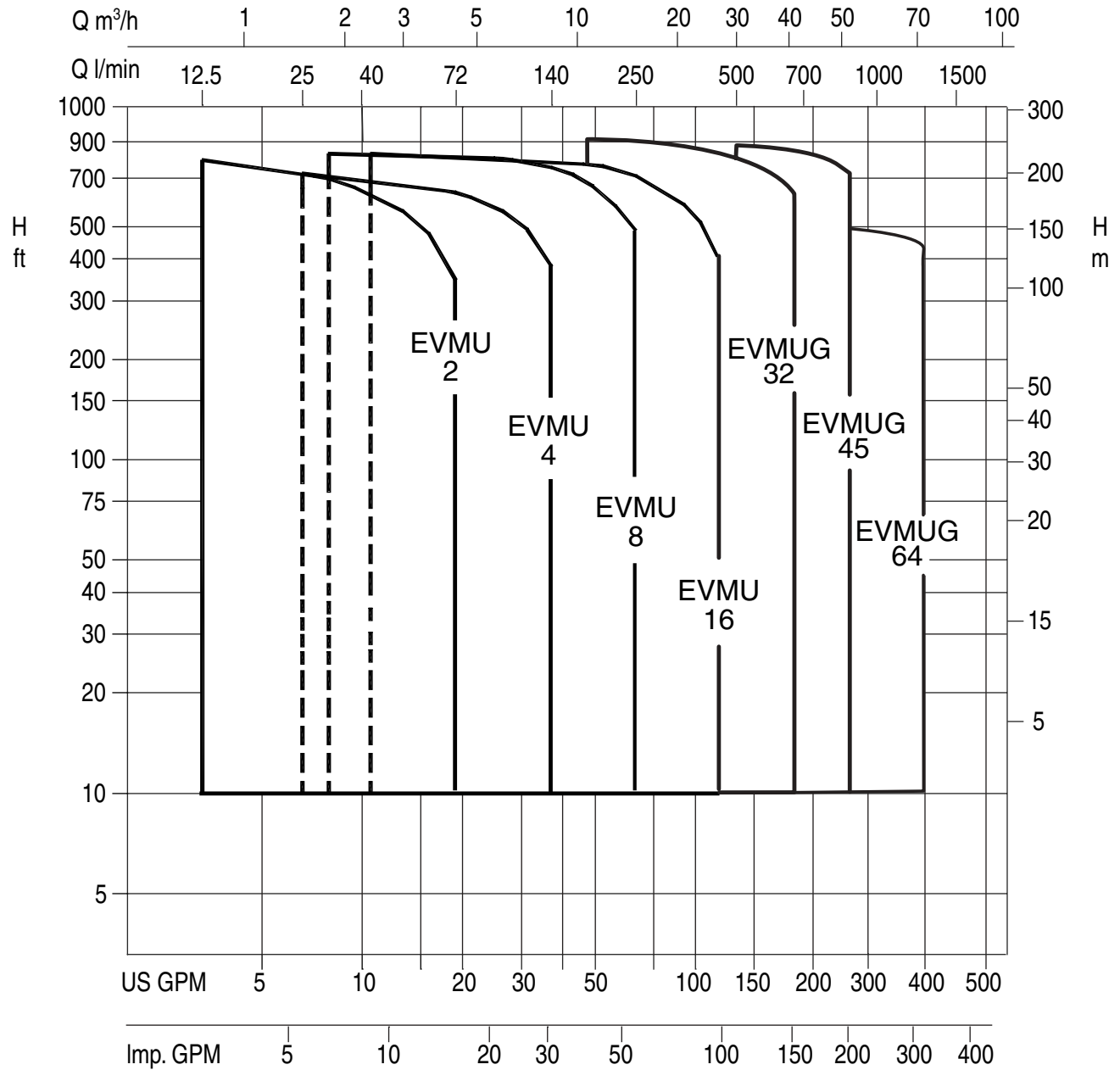
EVMU / EVMUG

Model EVMU / EVMUG

EBARA Stainless Steel Vertical Multistage

Selection chart

60 Hz, Synchronous Speed 3450 RPM



EVMU / EVMUG

Model EVMU

EBARA Stainless Steel Vertical Multistage

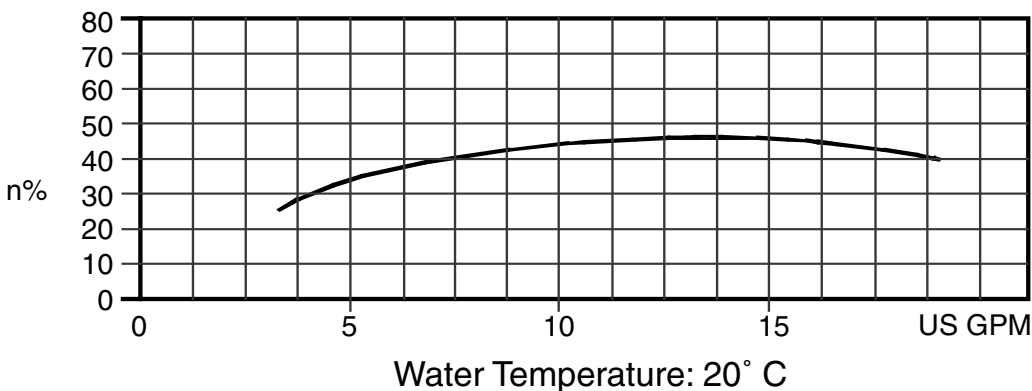
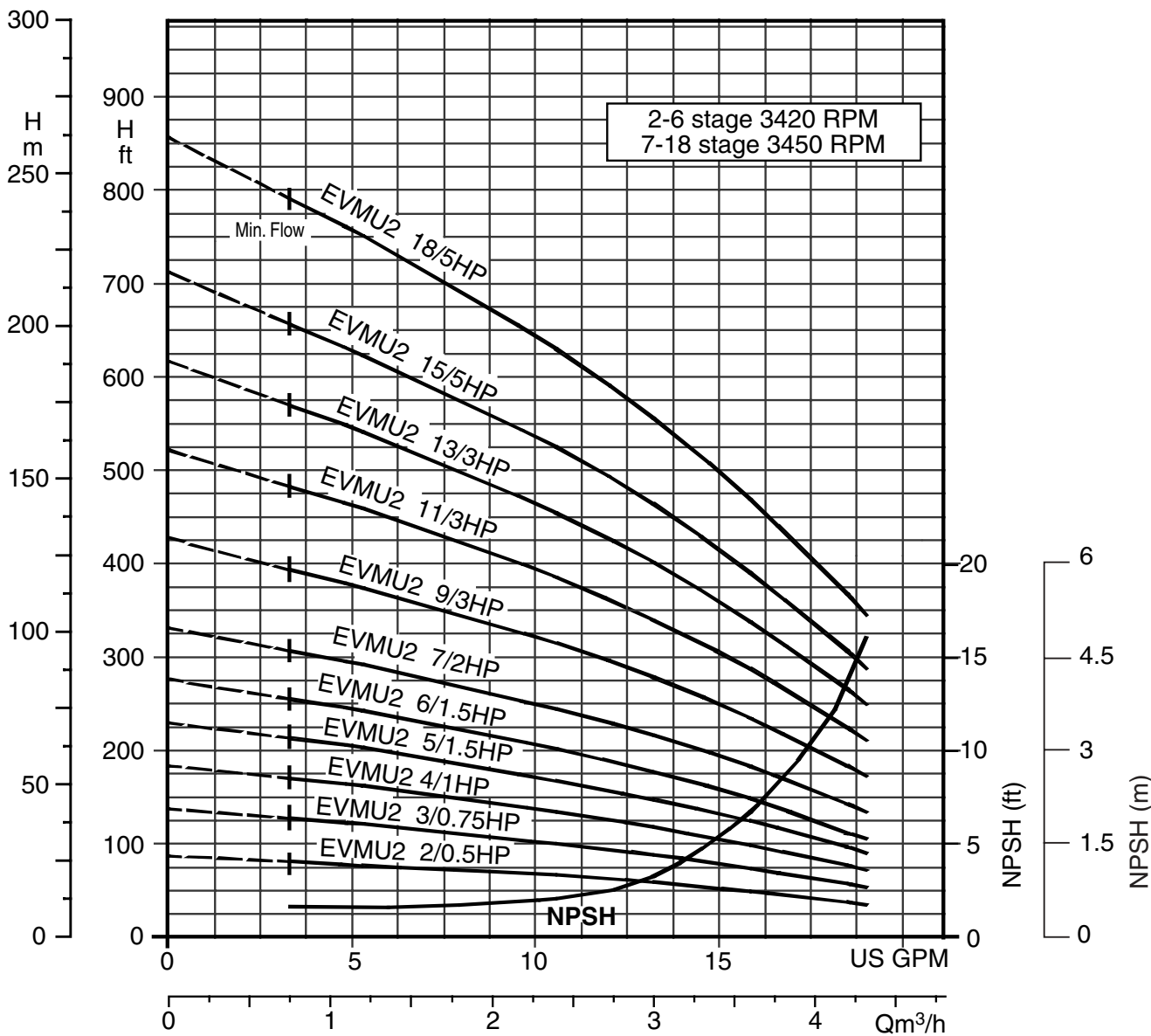
Performance Curves

EVMU 2 1/2HP - 5HP

EVMU2 2 - EVMU2 18

Synchronous Speed: 3450 RPM

250# ANSI 1 1/4" 4-Bolt



EVMU / EVMUG

Model EVMU

EBARA Stainless Steel Vertical Multistage

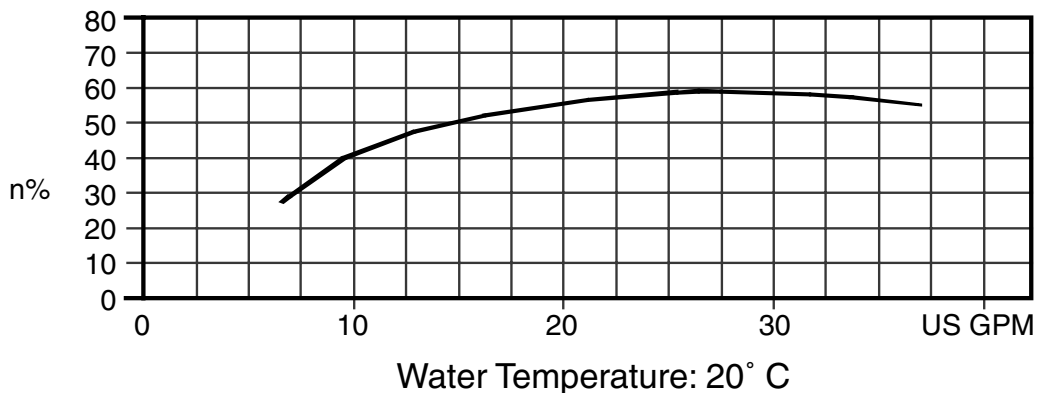
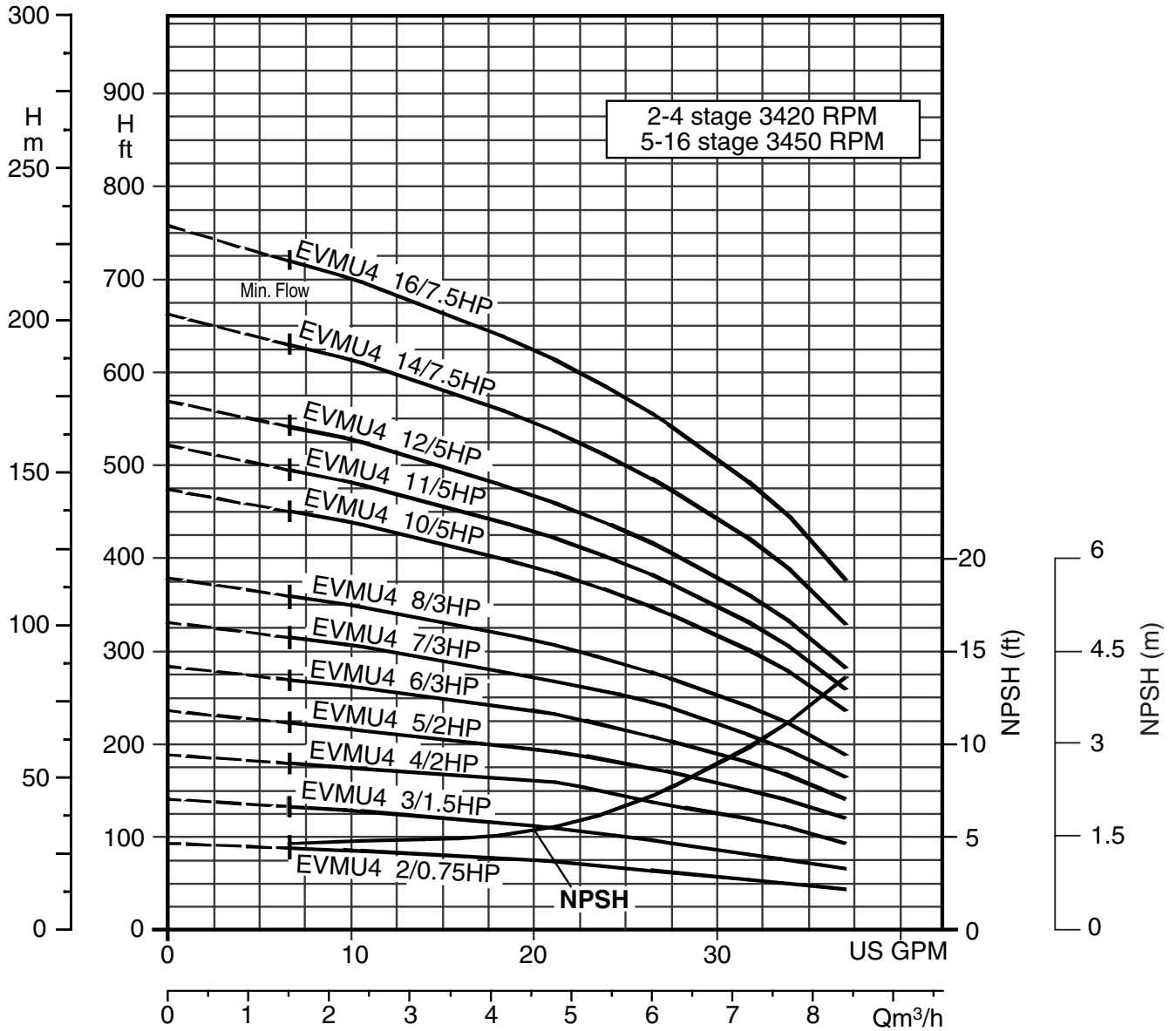
Performance Curves

EVMU4 3/4 HP - 7 1/2 HP

EVMU4 2 - EVMU4 16

Synchronous Speed: 3450 RPM

250# ANSI 1 1/4" 4-Bolt



EVMU / EVMUG

Model EVMU

EBARA Stainless Steel Vertical Multistage

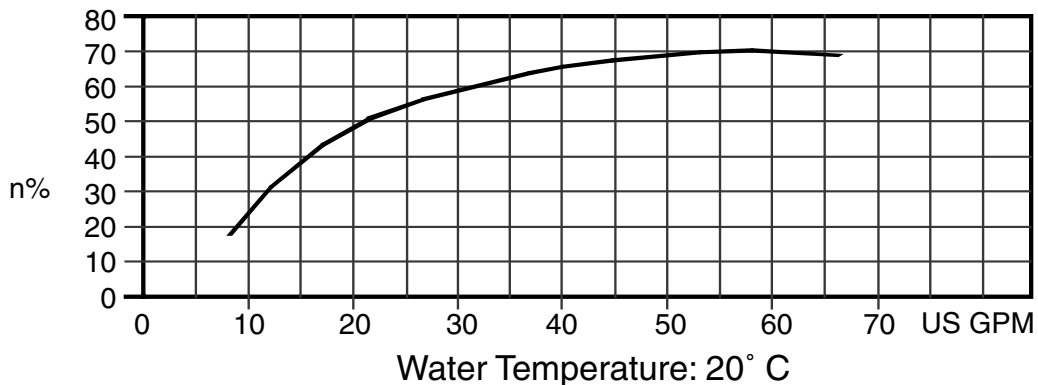
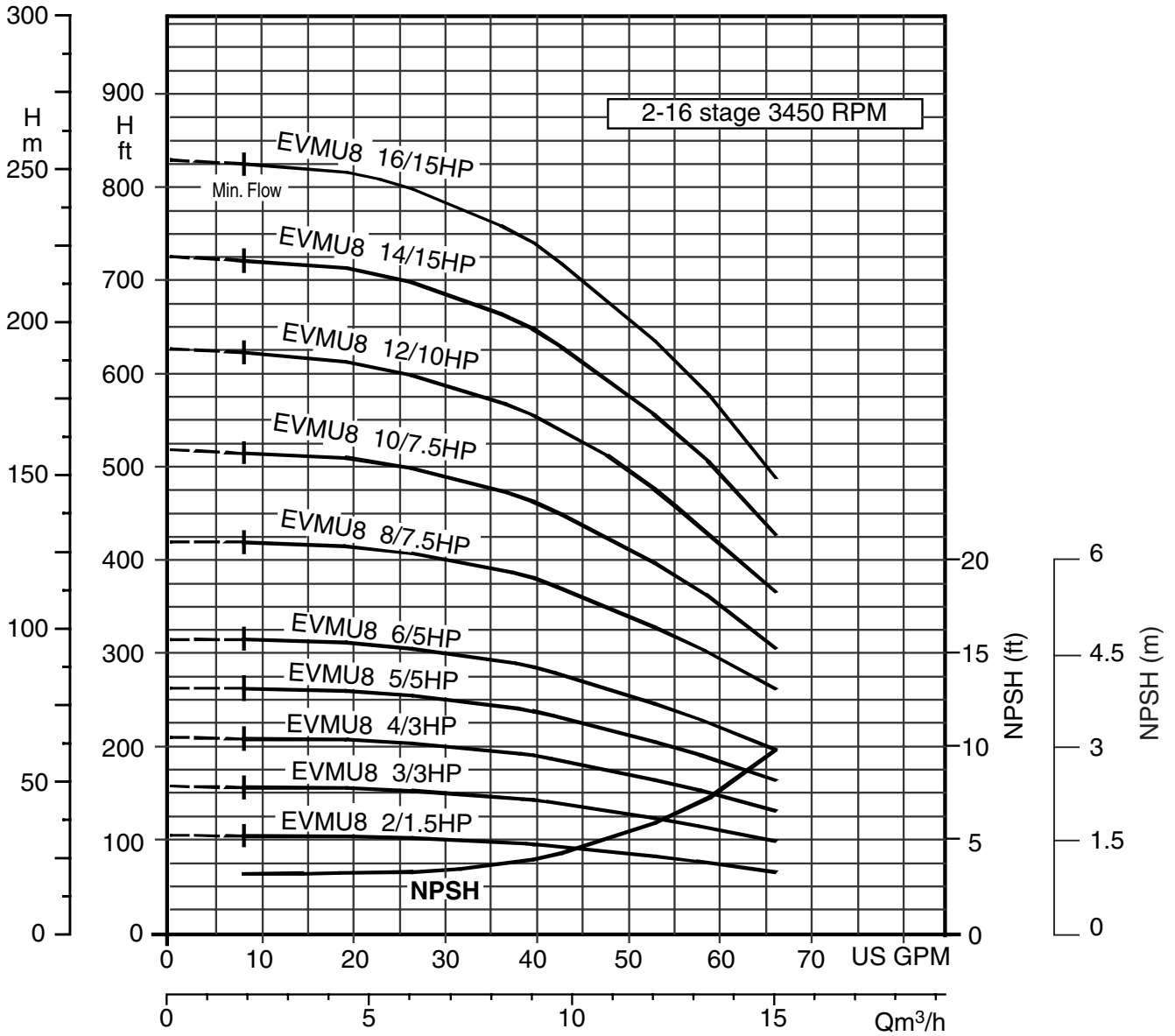
Performance Curves

EVMU8 1½ HP - 7½ HP

EVMU8 2 - EVMU8 16

Synchronous Speed: 3450 RPM

250# ANSI 2" 8-Bolt



EVMU / EVMUG

Model EVMU

EBARA Stainless Steel Vertical Multistage

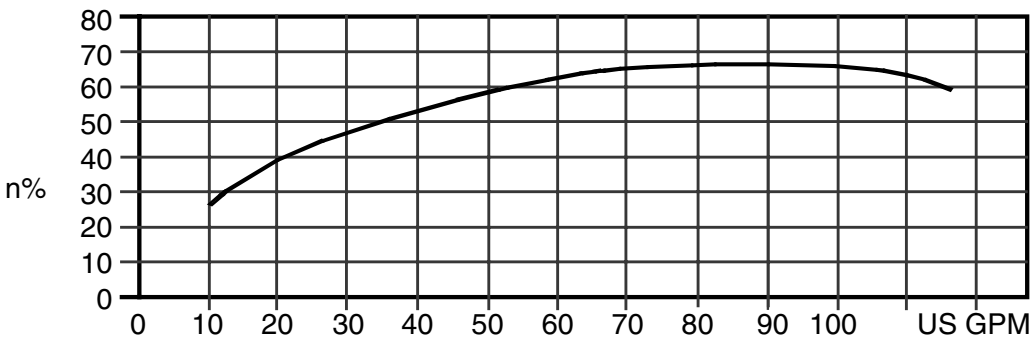
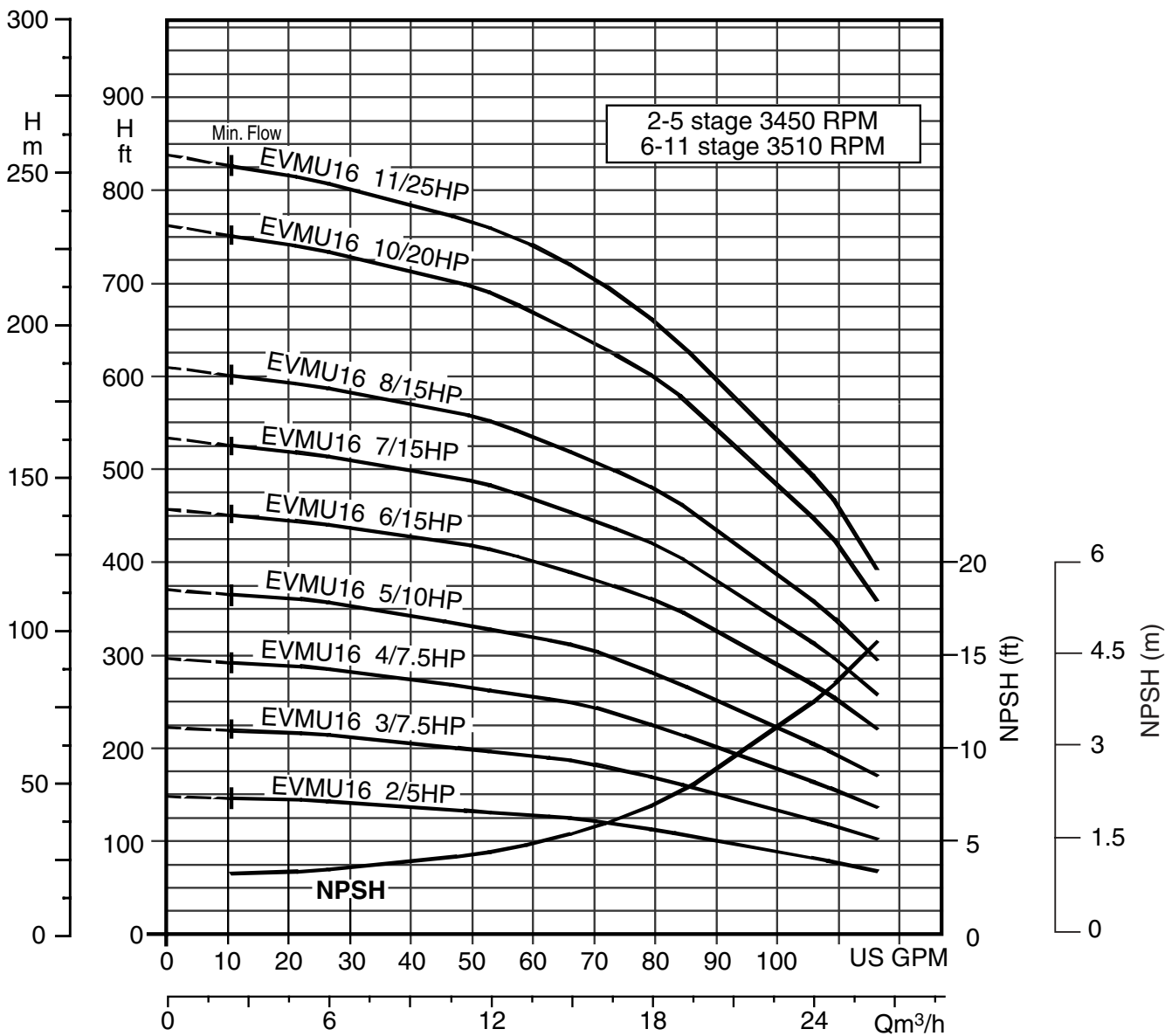
Performance Curves

EVMU16 5HP - 25HP

EVMU16 2 - EVMU16 11

Synchronous Speed: 3450 RPM

250# ANSI 2" 8-Bolt



Water Temperature: 20° C



EVMU / EVMUG

Model EVMUG

EBARA Stainless Steel Vertical Multistage

Performance Curves

EVMUG32 5HP - 40HP

EVMUG32 1 – EVMUG32 4-3

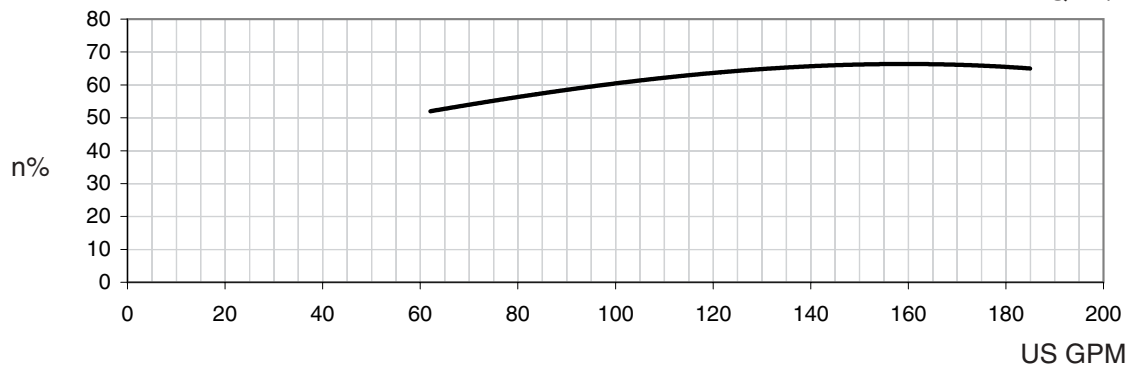
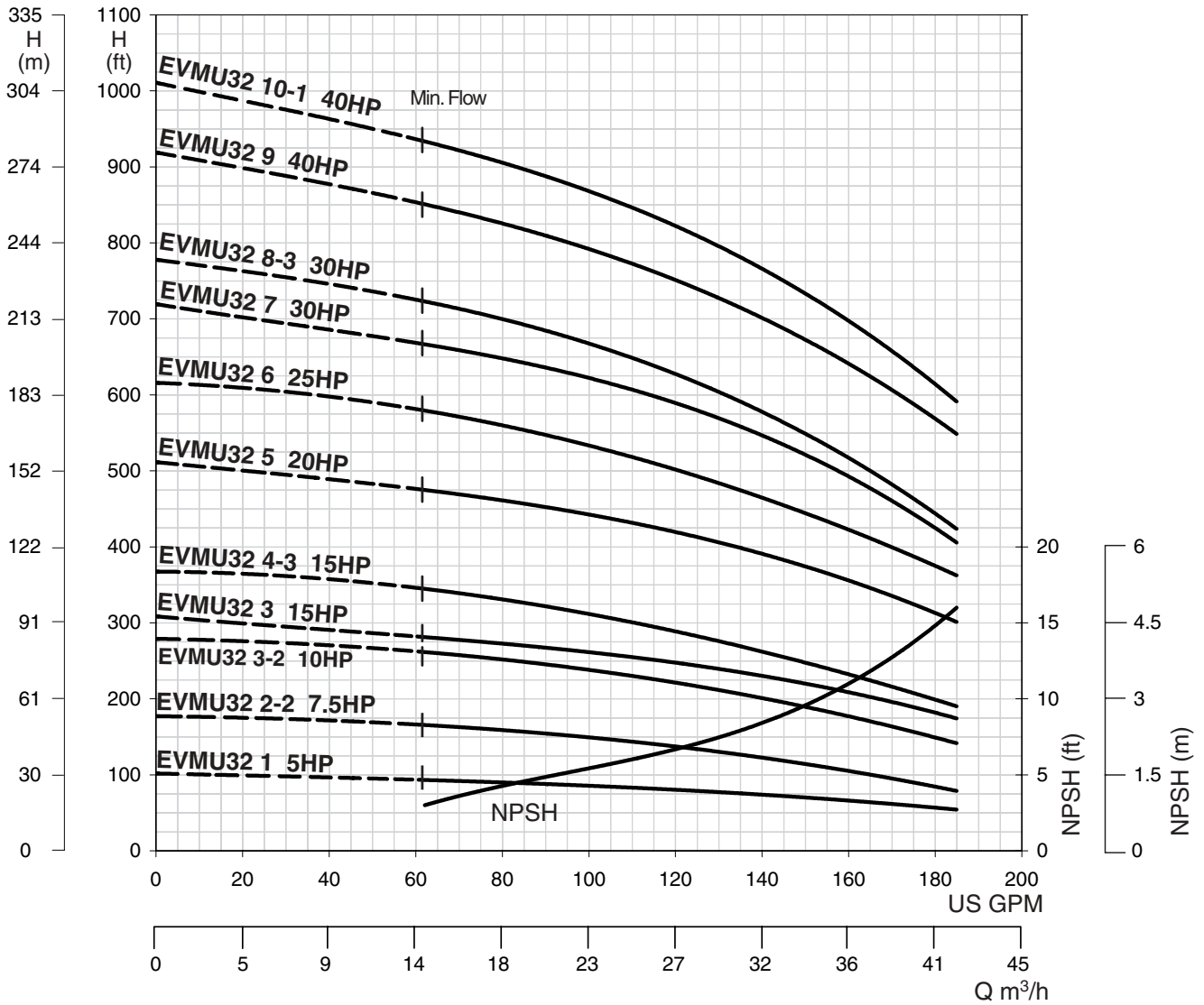
3500RPM

150# ANSI 2½" 4-Bolt

EVMUG32 5 – EVMUG32 10-1

3500RPM

300# ANSI 2½" 8-Bolt



Water Temperature: 20° C



EVMU / EVMUG

Model EVMUG

EBARA Stainless Steel Vertical Multistage

Performance Curves

EVMUG45 7.5HP - 50HP

EVMUG45 1-1 – EVMUG45 3

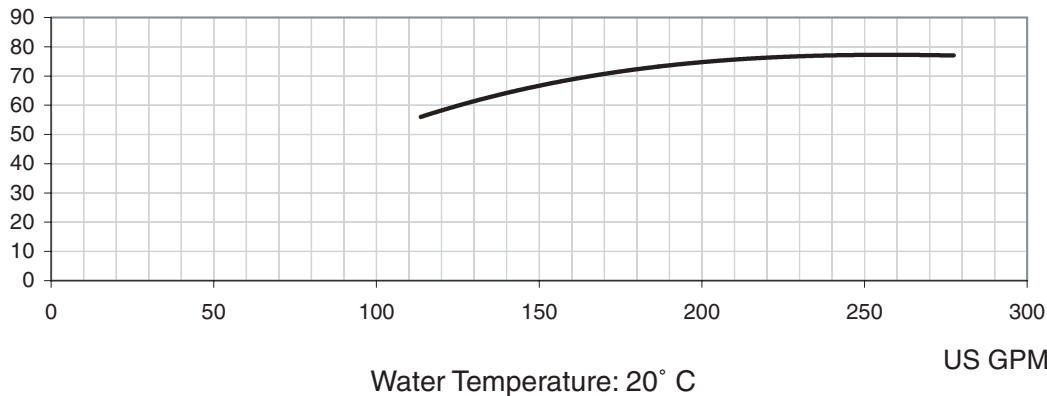
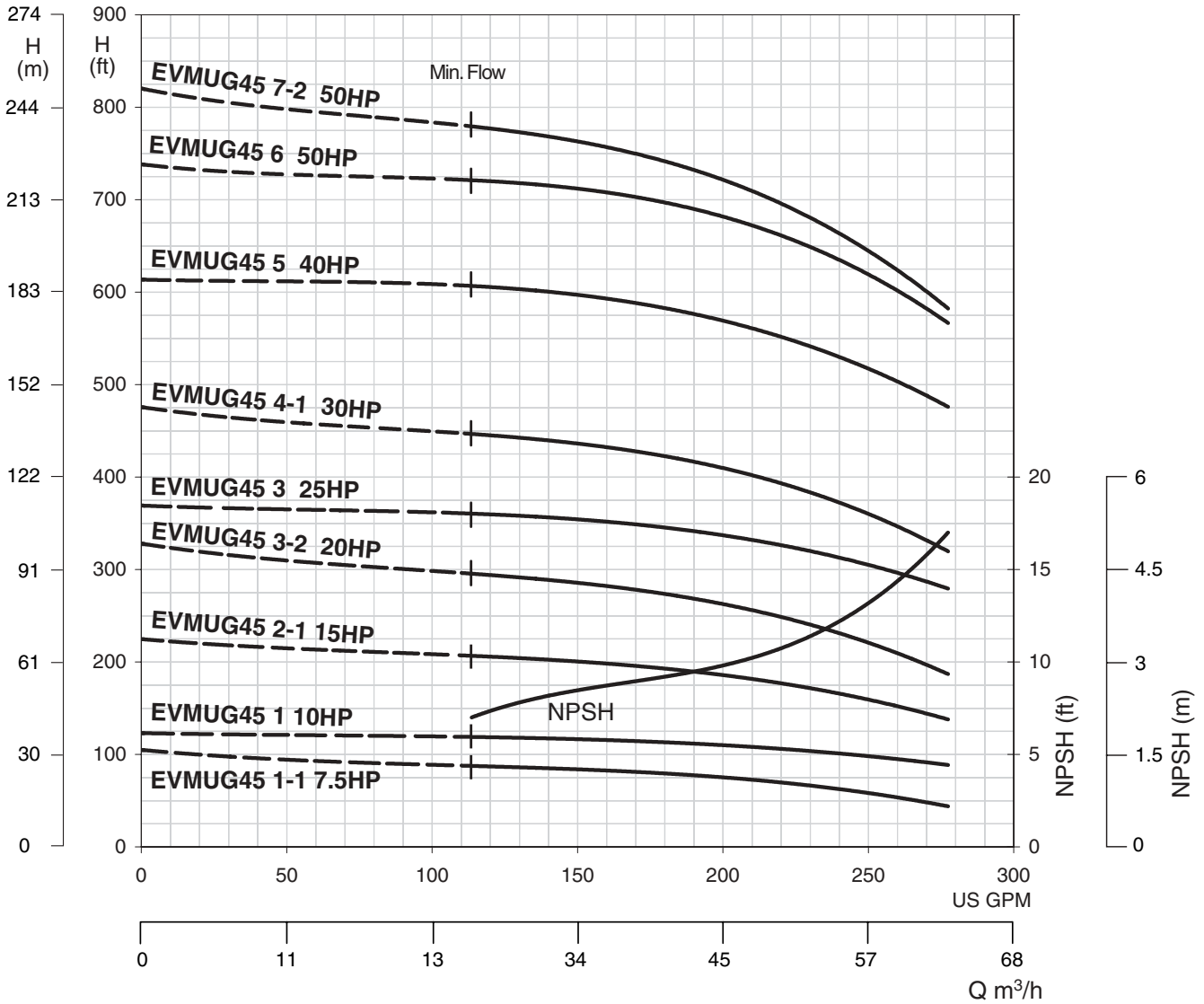
3500RPM

150# ANSI 3" 4-Bolt

EVMUG45 4-1 – EVMUG45 7-2

3500RPM

300# ANSI 3" 8-Bolt



Water Temperature: 20° C



EVMU / EVMUG

Model EVMUG

EBARA Stainless Steel Vertical Multistage

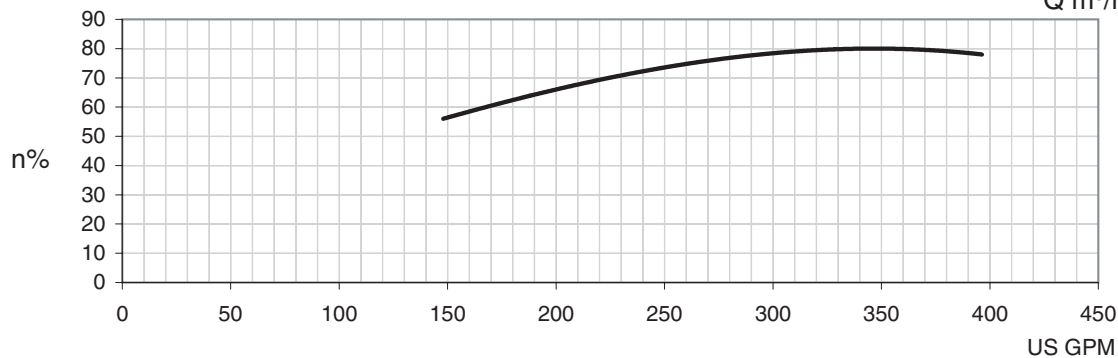
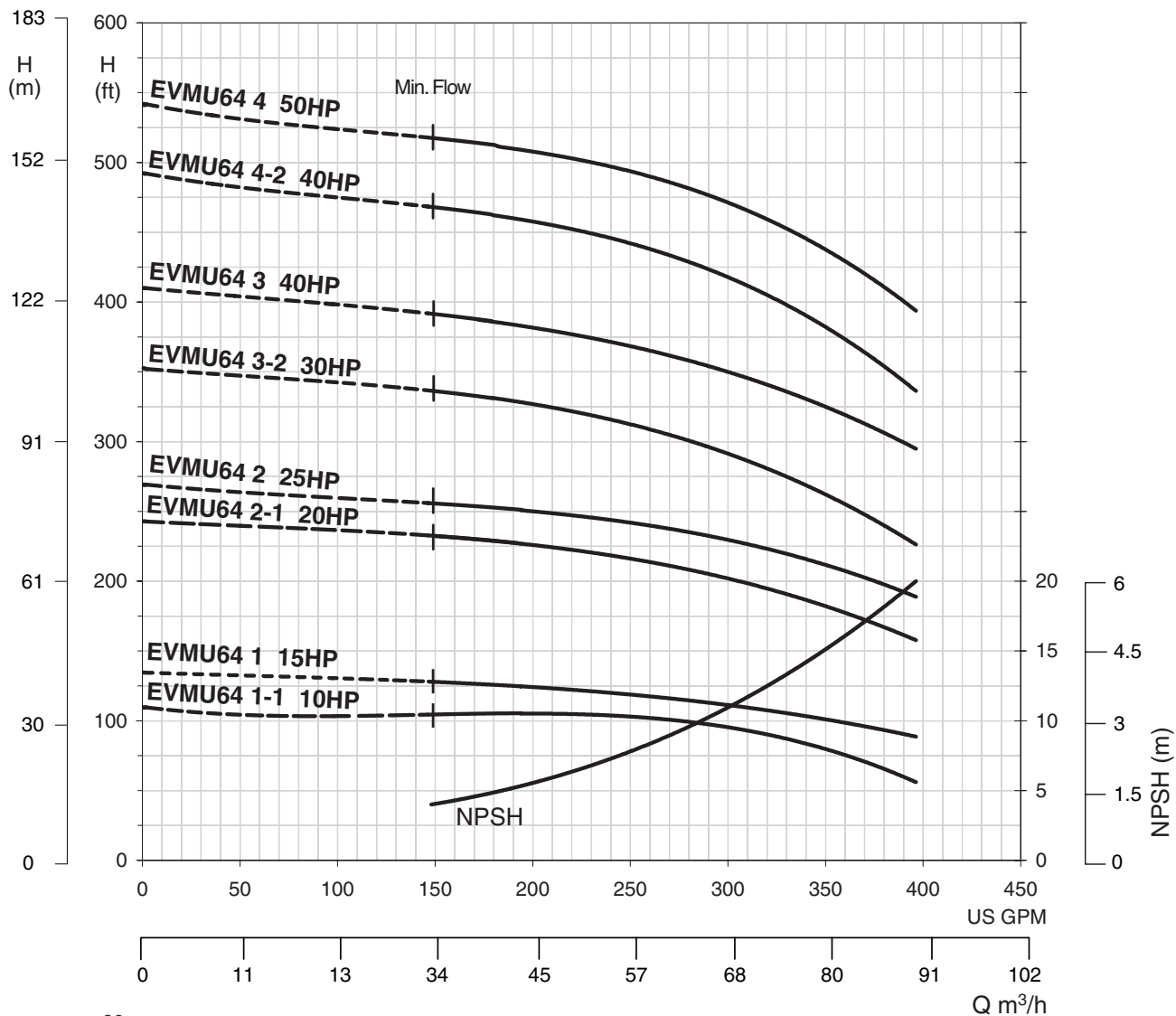
Performance Curves

EVMUG64 10HP - 50HP

EVMUG64 1-1 – EVMUG64 4

3500RPM

300# 4" ANSI 8-Bolt



Water Temperature: 20° C



EVMU / EVMUG**Model EVMU / EVMUG****EBARA Stainless Steel Vertical Multistage****Technical Information****Maximum Working Pressure**

Model	Maximum Working Pressure
EVMU2 2 – EVMU2 9	230 PSI
EVMU4 2 – EVMU4 10	
EVMU8 2 – EVMU8 8	
EVMU16 2 – EVMU16 6	
EVMUG32 1 – EVMUG32 4-3	
EVMUG45 1-1 – EVMUG45 3	
EVMUG64 1-1 – EVMUG64 3	
EVMU2 11 – EVMU2 18	360 PSI
EVMU4 11 – EVMU4 16	
EVMU8 10 – EVMU8 16	
EVMU16 7 – EVMU16 11	
EVMUG32 5 – EVMUG32 8-3	
EVMUG45 4-1 – EVMUG45 7-2	
EVMUG64 4-2 – EVMUG64 4	
EVMUG32 9 – EVMUG32 10-1	430 PSI



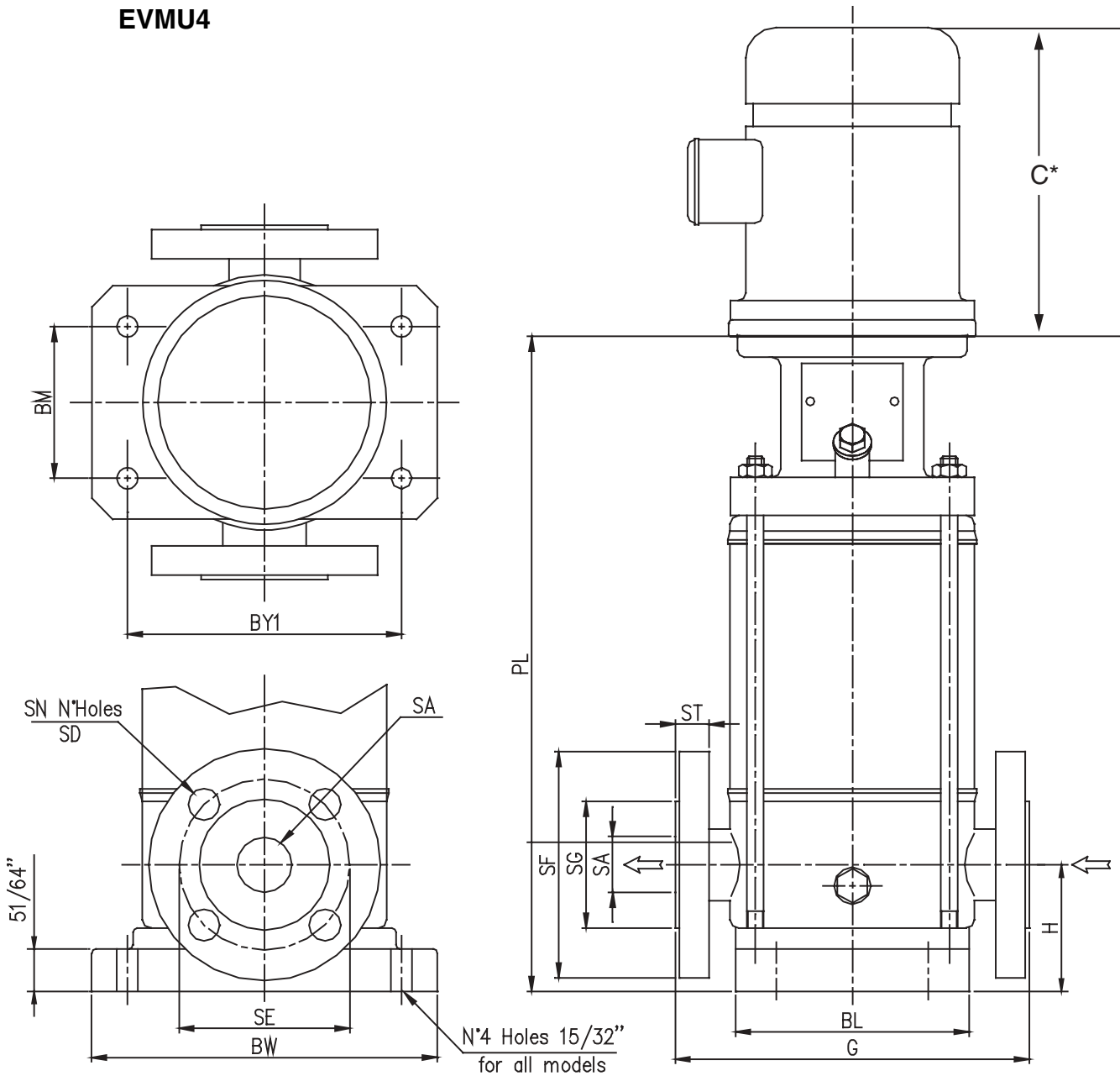
EVMU / EVMUG

Model EVMU

EBARA Stainless Steel Vertical Multistage

Dimensions

Models EVMU2
EVMU4



Flange Detail:

EVMU2 1 1/4" 250Lb. ANSI
EVMU4 1 1/4" 250Lb. ANSI

* C = Motor Dimension - Refer to
Motor Manufacturer's catalog

Refer to page 816 for dimension details.

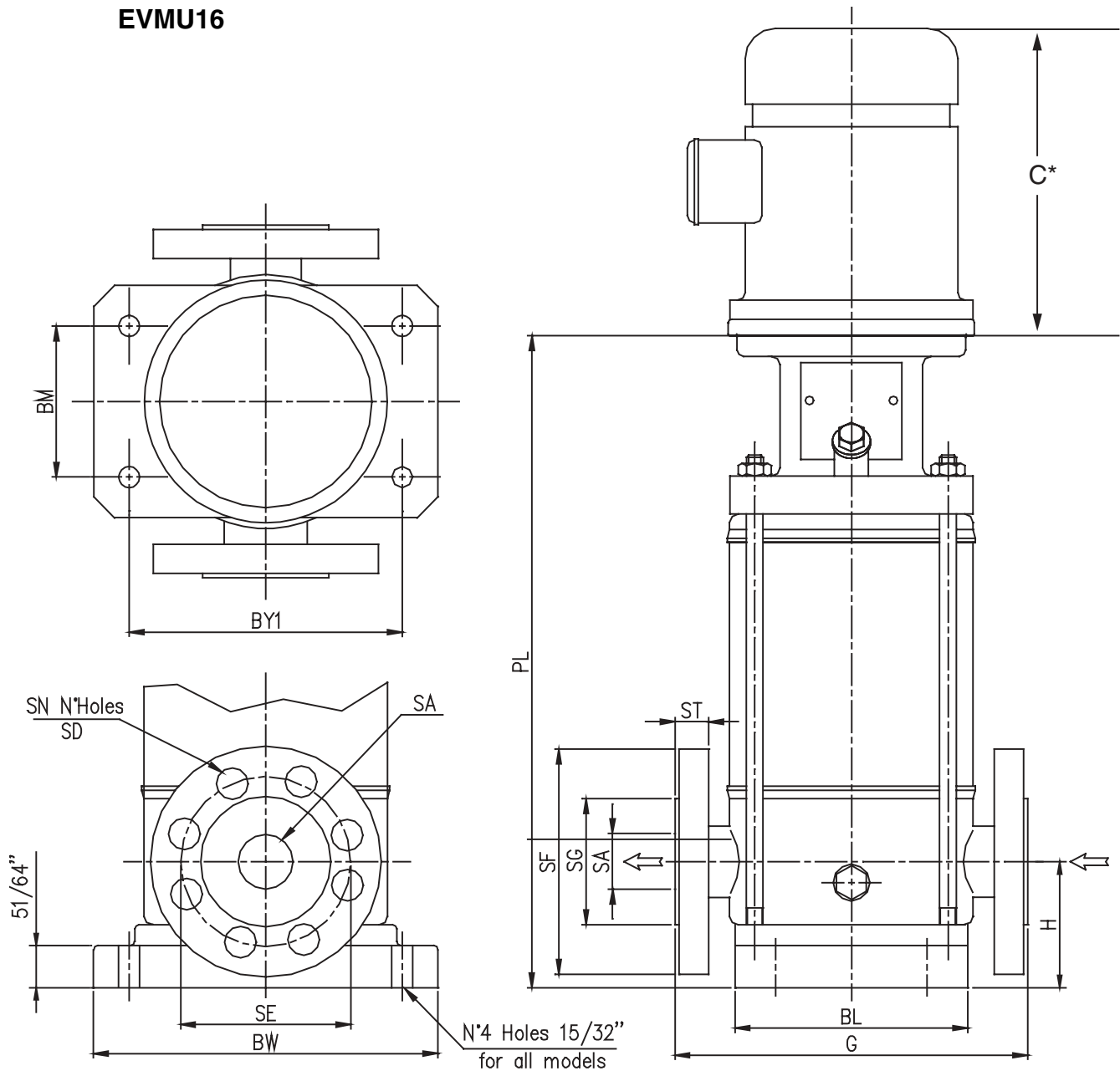
EVMU / EVMUG

Model EVMU

EBARA Stainless Steel Vertical Multistage

Dimensions

Models EVMU8
EVMU16



Flange Detail:

EVMU8 2" 250Lb. ANSI

EVMU16 2" 250Lb. ANSI

* C = Motor Dimension - Refer to
Motor Manufacturer's catalog

Refer to page 816 for dimension details.



EBARA Fluid Handling
www.pumpsebara.com
(t) 803 327-5005 • (f) 803 327-5097

Model EVMU

EBARA Stainless Steel Vertical Multistage

Dimensions

Pump type/hp	Motor Frame*	Weight Lbs. †	PL	H	G	ST	SA	SG	SF	SD	SN	SE	BM	BY1	BL	BW
2 2/0.5	56C	41	10 49/64"	2 16/64"	9 27/32"	23/32"	1 3/8"	2 63/64"	5 33/64"	3/4"	4	3 7/8"	3 15/16"	7 3/32"	5 7/8"	8 17/64"
2 3/0.75	56C	42	11 19/32"													
2 4/1.0	56TC	44	12 27/64"													
2 5/1.5	143TC	45	13 5/16"													
2 6/1.5	143TC	47	14 9/64"													
2 7/2.0	145TC	49	14 31/32"													
2 9/3.0	145TC	52	16 41/64"													
2 11/3.0	145TC	55	18 19/64"													
2 13/3.0	145TC	62	19 15/16"													
2 15/5.0	184TC	71	22 21/64"													
2 18/5.0	184TC	74	24 13/16"													
4 2/0.5	56C	43	11 21/64"	2 61/64"	9 27/32"	23/32"	1 3/8"	2 63/64"	5 33/64"	3/4"	4	3 7/8"	3 15/16"	7 3/32"	5 7/8"	8 17/64"
4 3/1.5	143TC	44	12 31/64"													
4 4/2.0	145TC	45	13 37/64"													
4 5/2.0	145TC	48	14 45/64"													
4 6/3.0	145TC	49	15 13/16"													
4 7/3.0	145TC	51	16 29/32"													
4 8/3.0	145TC	52	18 1/64"													
4 10/5.0	184TC	56	20 61/64"													
4 11/5.0	184TC	59	22 3/64"													
4 12/5.0	184TC	61	23 5/32"													
4 14/7.5	184TC	72	25 23/64"													
4 16/7.5	184TC	74	27 9/16"													
8 2/1.5	143TC	62	13 13/16"	3 35/64"	11 13/16"	23/32"	1 31/32"	4 1/64"	6 1/2"	3/4"	8	5	5 1/8"	8 15/32"	7 31/64"	9 27/32"
8 3/3.0	145TC	65	15"													
8 4/3.0	145TC	72	16 13/64"													
8 5/5.0	184TC	73	18 7/64"													
8 6/5.0	184TC	76	19 19/64"													
8 8/7.5	184TC	90	21 21/32"													
8 10/7.5	215TC	94	24 1/64"													
8 12/10	215TC	118	26 7/8"													
8 14/15	215TC	123	29 15/64"													
8 16/15	215TC	130	31 19/32"													
16 2/5.0	184TC	80	15 23/64"	3 35/64"	11 13/16"	23/32"	1 31/32"	4 1/64"	6 1/2"	3/4"	8	5"	5 1/8"	8 15/32"	7 31/64"	9 27/32"
16 3/7.5	184TC	84	16 15/16"													
16 4/7.5	184TC	89	18 1/2"													
16 5/10	215TC	106	20 37/64"													
16 6/15	215TC	113	22 5/32"													
16 7/15	215TC	118	23 23/32"													
16 8/15	215TC	121	25 19/64"													
16 10/20	256TC	146	29 5/64"													
16 11/25	284TSC	148	31 17/64"													

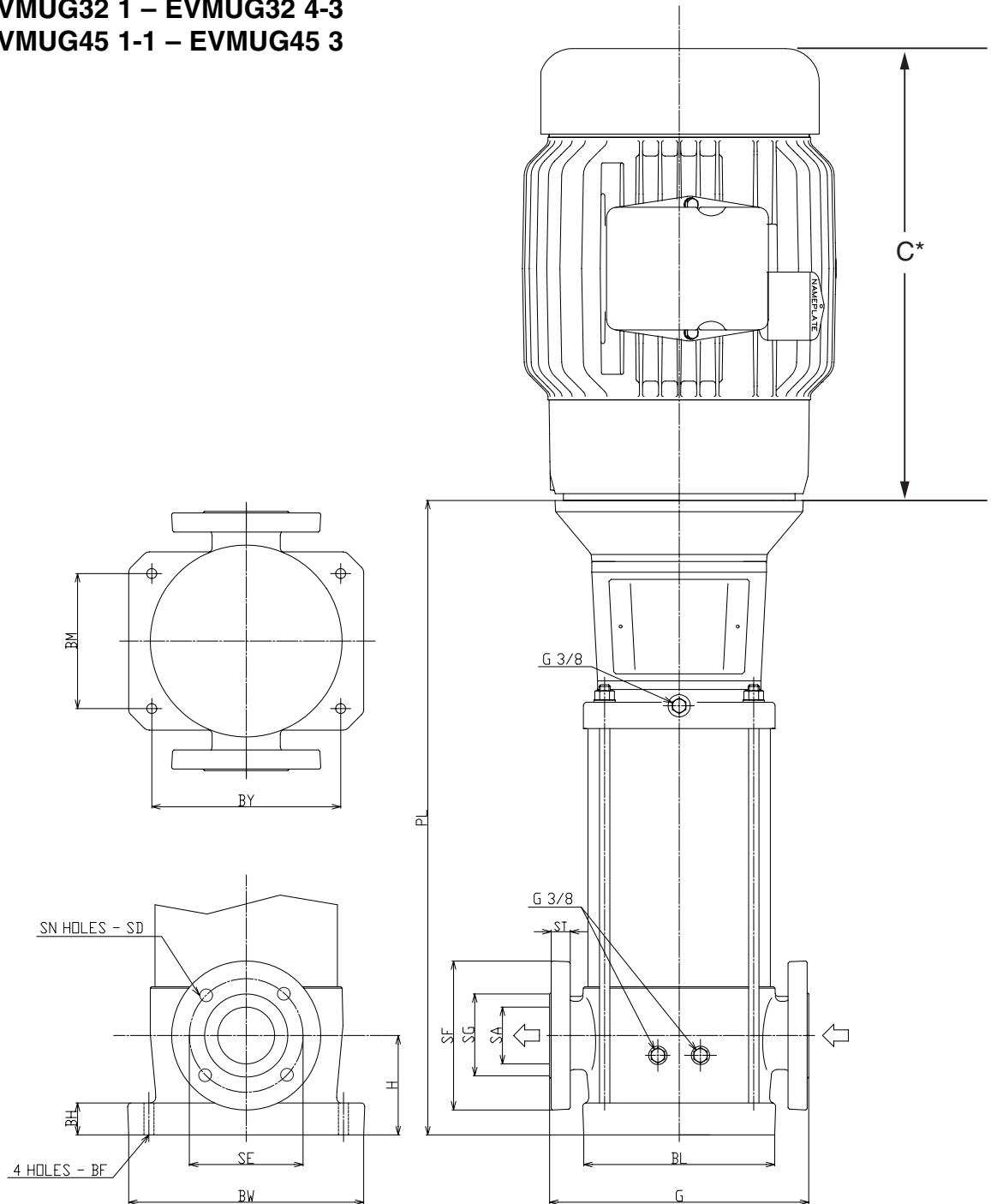
*Motor frame for Three Phase TEFC only. Consult factory for single phase and alternate enclosures.

†Weight for pump less motor.



Dimensions

Models EVMUG32 1 – EVMUG32 4-3
EVMUG45 1-1 – EVMUG45 3



Flange Detail:

EVMUG32 2 1/2" 150Lb. ANSI
EVMUG45 3" 150Lb. ANSI

* C = Motor Dimension - Refer to
Motor Manufacturer's catalog

Refer to page 820 for dimension details.



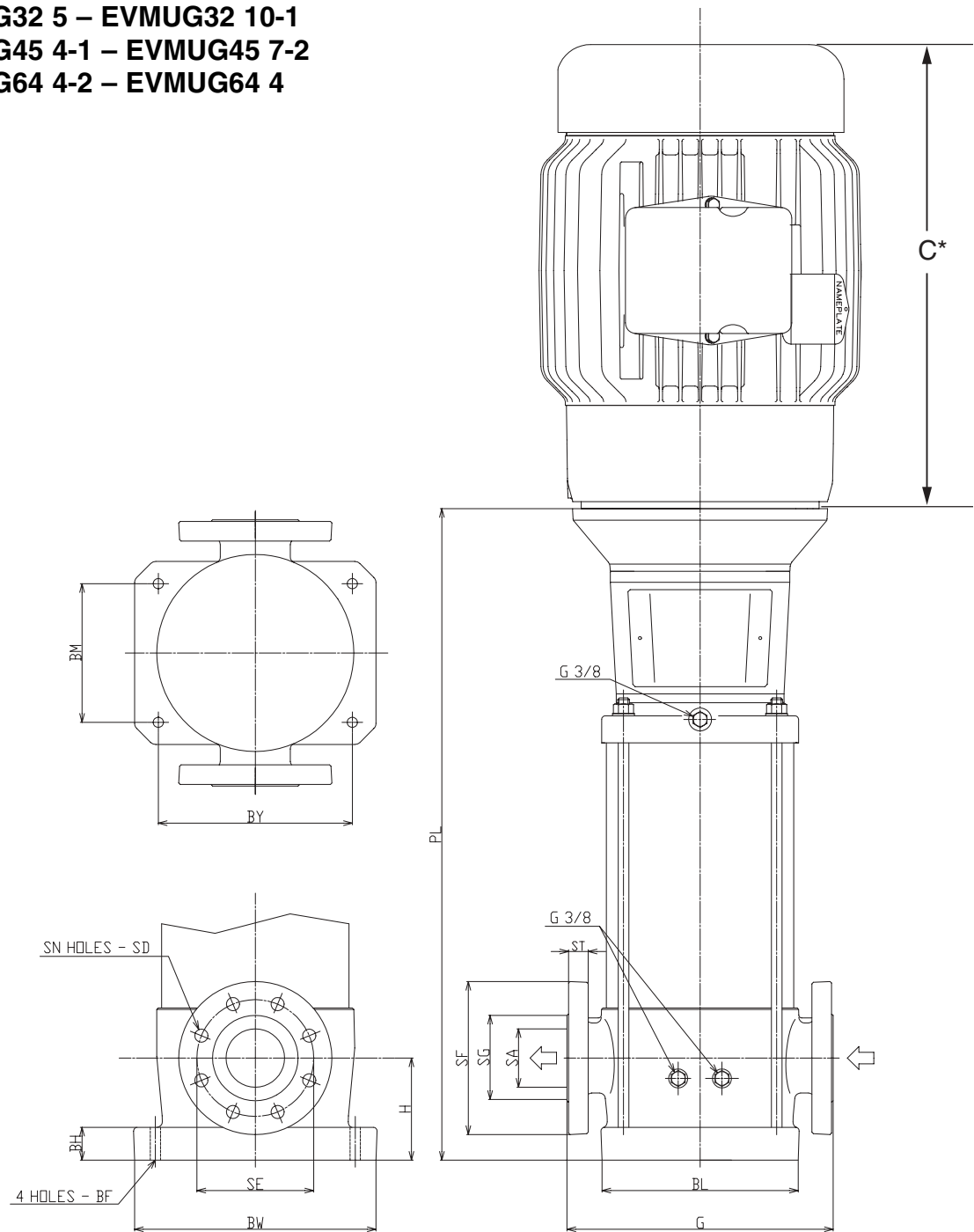
EVMU / EVMUG

Model EVMUG

EBARA Stainless Steel Vertical Multistage

Dimensions

Models EVMUG32 5 – EVMUG32 10-1
EVMUG45 4-1 – EVMUG45 7-2
EVMUG64 4-2 – EVMUG64 4



Flange Detail:

EVMUG32 2½" 300Lb. ANSI
EVMUG45 3" 300Lb. ANSI
EVMUG64 4" 300Lb. ANSI

* C = Motor Dimension - Refer to
Motor Manufacturer's catalog

Refer to page 820 for dimension details.



EBARA Fluid Handling
www.pumpsebara.com
(t) 803 327-5005 • (f) 803 327-5097

819
rev. 06/05

Model EVMUG

EBARA Stainless Steel Vertical Multistage

Dimension Table

Pump Type				Dimensions (inches)								
Model	HP	Weight Lbs. †	Motor Frame*	PL	H	G	ST	SA	SG	SF	SD	SN
32 1	5	117	184TC	18 3/16	4 9/64	12 9/32	54/64	2 9/16	4 21/64	7	25/32	4
32 2-2	7 1/2	126	184TC	20 19/32								
32 3-2	10	170	215TC	22 31/64								
32 3	15	172	215TC	27 41/64								
32 4-3	15	176	215TC	29 17/32								
32 5	20	194	256TC	31 27/64								
32 6	25	200	284TSC	33 7/64								
32 7	30	207	286TSC	35								
32 8-3	30	225	286TSC	36 57/64								
32 9	40	240	324TSC	39 3/8								
32 10-1	40	247	324TSC	41 17/64								
45 1-1	7 1/2	148	184TC	21 29/64	5 33/64	14 3/8	15/16	3 5/32	4 23/32	7 1/2	25/32	4
45 1	10	152	215TC	21 29/64								
45 2-1	15	192	215TC	29 29/64								
45 3-2	20	207	256TC	32 9/32								
45 3	25	207	284TSC	32 2/32								
45 4-1	30	229	286TSC	34 59/64								
45 5	40	260	324TSC	38 11/32								
45 6	50	276	326TSC	41 3/16								
45 7-2	50	287	326TSC	44 1/64								
64 1-1	10	179	215TC	21 29/64	5 33/64	14 3/8	1 1/32	3 15/16	5 33/64	9	25/32	8
64 1	15	201	215TC	26 5/8								
64 2-1	20	213	256TC	29 29/64								
64 2	25	214	284TSC	29 1/4								
64 3-2	30	221	286TSC	32 3/32								
64 3	40	223	324TSC	32 11/16								
64 4-2	40	245	324TSC	35 33/64								
64 4	50	251	326TSC	35 33/64								
							1 21/64			10	29/32	

Pump Type			Dimensions (inches)													
Model	HP	Motor Frame*	SE	BM	BY1	BL	BW	BF	BH							
32 1	5	184TC	5 1/2	6 11/16	9 29/64	8 17/64	11 1/32	35/64	1 3/8							
32 2-2	7 1/2	184TC														
32 3-2	10	215TC														
32 3	15	215TC														
32 4-3	15	215TC														
32 5	20	256TC	5 7/8	6 11/16	9 29/64	8 17/64	11 1/32	35/64	1 3/8							
32 6	25	284TSC														
32 7	30	286TSC														
32 8-3	30	286TSC														
32 9	40	324TSC														
32 10-1	40	324TSC														
45 1-1	7 1/2	184TC	6	7 31/64	10 15/32	9 57/64	13 1/32	35/64	1 49/64							
45 1	10	215TC														
45 2-1	15	215TC														
45 3-2	20	256TC														
45 3	25	284TSC														
45 4-1	30	286TSC														
45 5	40	324TSC								6 5/8	7 31/64	10 15/32	9 57/64	13 1/32	35/64	1 49/64
45 6	50	326TSC														
45 7-2	50	326TSC														
64 1-1	10	215TC														
64 1	15	215TC	7 1/2	7 31/64	10 15/32	9 57/64	13 1/32	35/64	1 49/64							
64 2-1	20	256TC														
64 2	25	284TSC														
64 3-2	30	286TSC														
64 3	40	324TSC														
64 4-2	40	324TSC								7 7/8	7 31/64	10 15/32	9 57/64	13 1/32	35/64	1 49/64
64 4	50	326TSC														

*Motor frame for Three Phase TEFC only. Consult factory for single phase and alternate enclosures.

EVMU / EVMUG

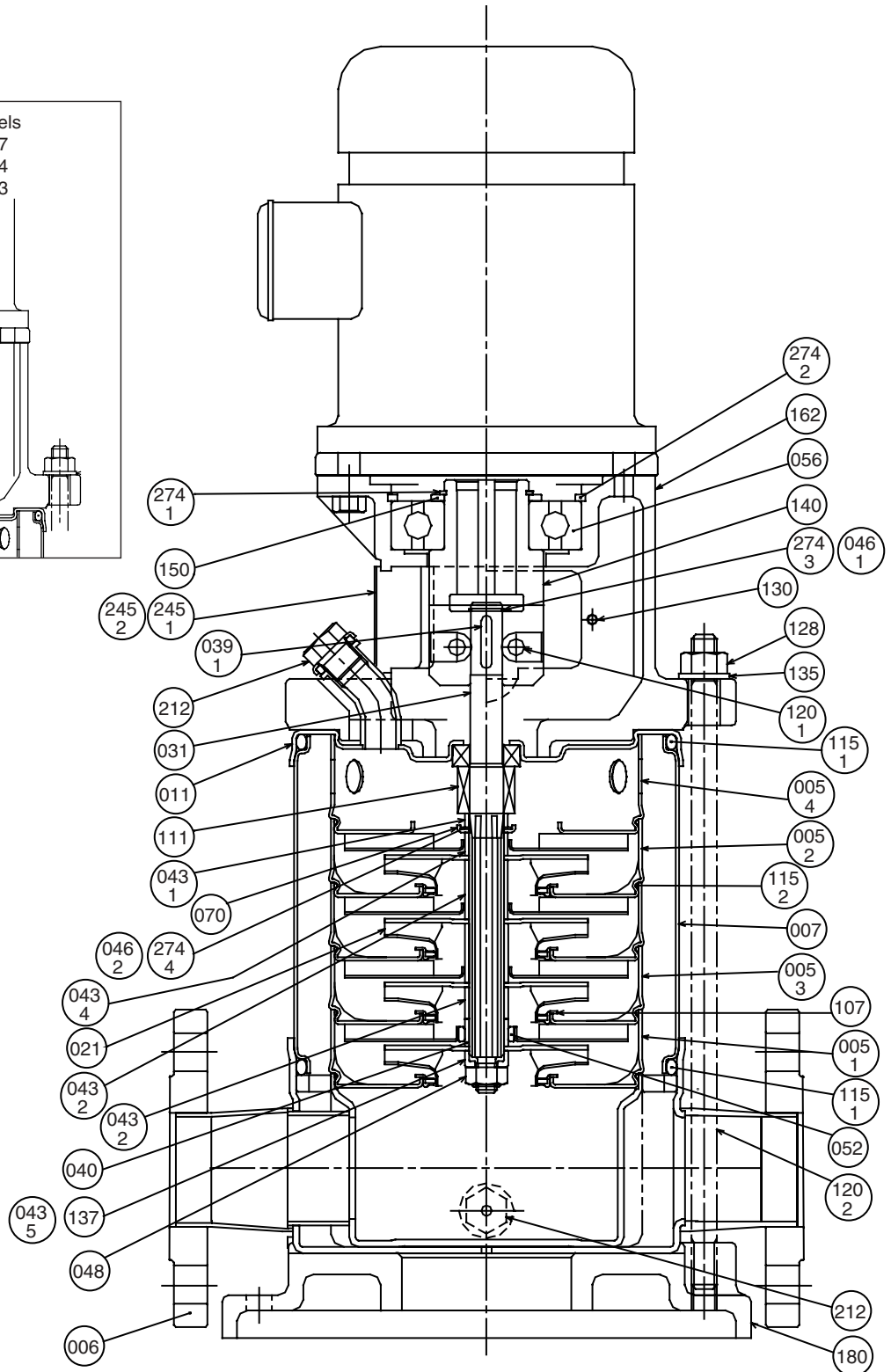
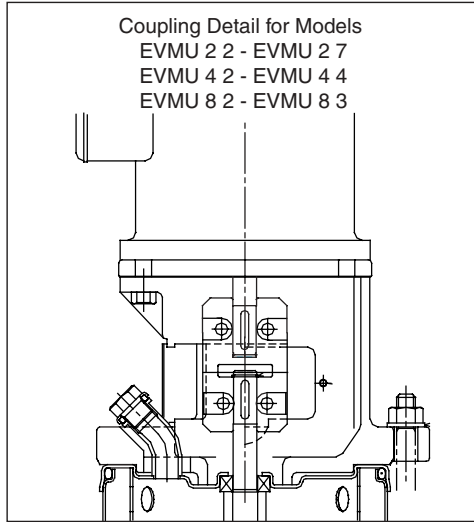
Model EVMU

EBARA Stainless Steel Vertical Multistage

Sectional View

(For reference only. See pricing for part availability.)

Models EVMU2
EVMU4
EVMU8
EVMU16



Refer to page 822 for dimension details.



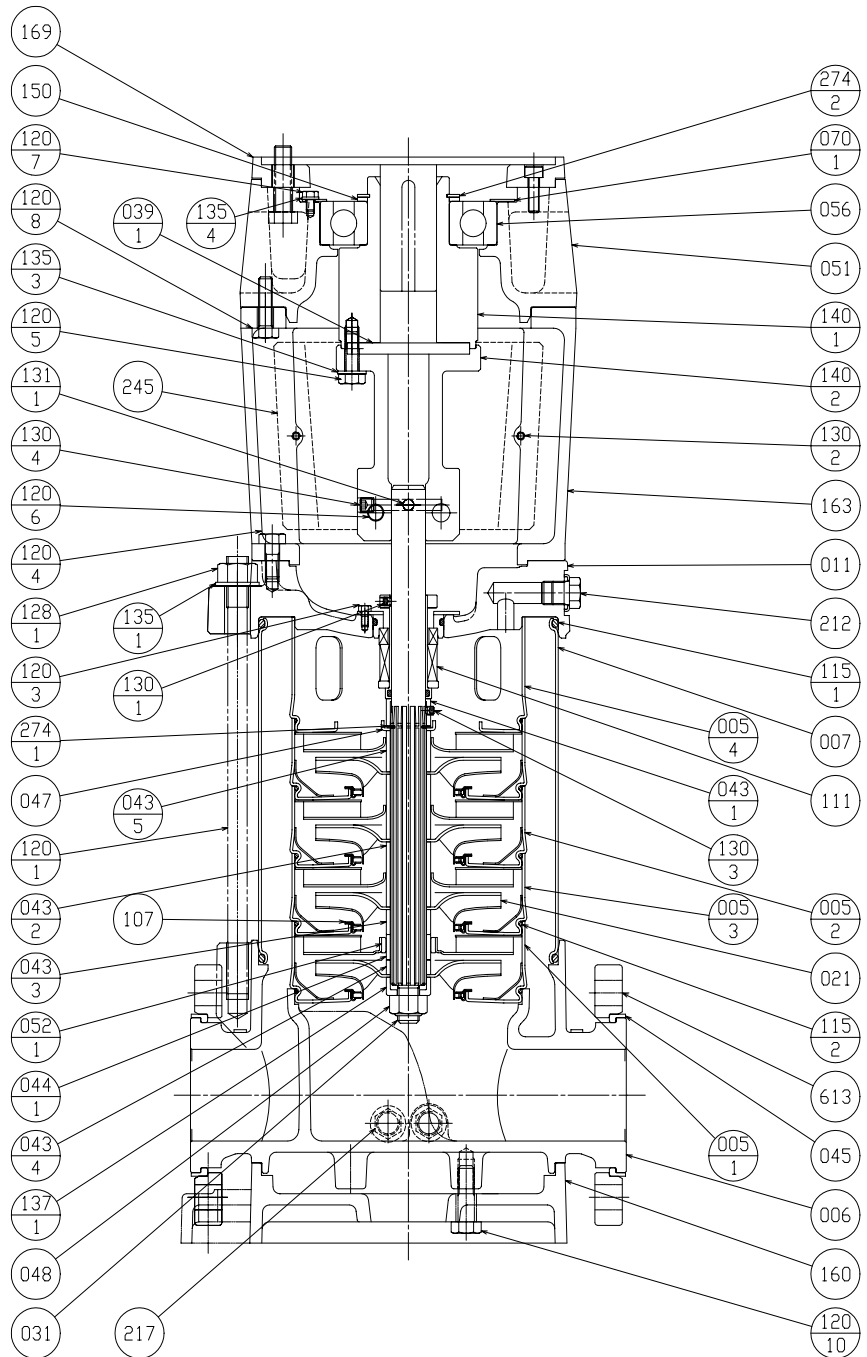
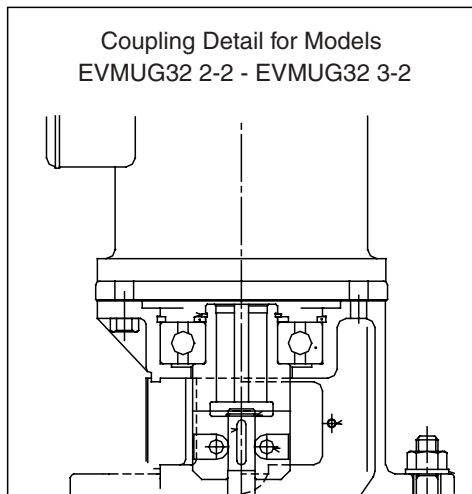
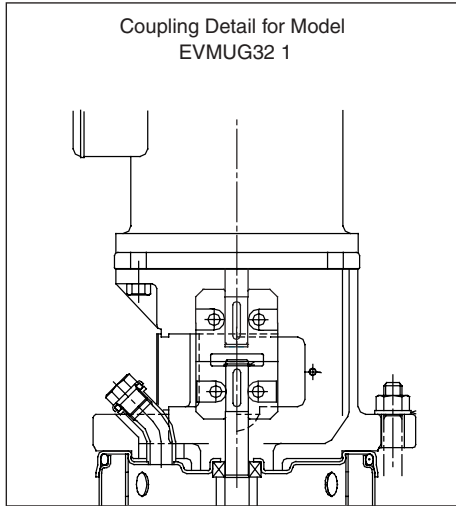
Location No.	Part Name	Material
005/1	Intermediate casing suction	AISI 304
005/2	Intermediate casing	AISI 304
005/3	Intermediate casing bearing	AISI 304
005/4	Intermediate casing discharge	AISI 304
006	Bottom casing	AISI 304
007	Outer casing	AISI 304
011	Casing cover	AISI 304
021	Impeller	AISI 304
031	Shaft	AISI 304
039/1	Key (pump shaft)	AISI 304
040	Bearing sleeve	Tungsten carbide
043/1	Shaft sleeve (mechanical seal)	AISI 304
043/2	Shaft sleeve (intermediate)	AISI 304
043/3	Shaft sleeve (bearing)	AISI 304
043/4	Shaft sleeve (last stage)	AISI 304
043/5	Shaft sleeve (adjustment)	AISI 304
046/1	Split ring (shaft end)	Carbon tool steels
046/2	Split ring (mechanical seal)	AISI 304
048	U-Nut	AISI 304
052	Bearing	Tungsten carbide
056	Ball bearing	–
070	Ring Holder	AISI 304
107	Liner ring	AISI 304/EPDM
111	Mechanical seal	Sic/Carbon/FPM
115/1	O-ring (outer casing)	Viton
115/2	O-ring (intermediate casing)	EPDM
120/1	Bolt	Carbon steel
120/2	Casing bolt	Steel chromate
128	Nut (casing bolt)	Steel chromate
130	Screw	AISI 304
135	Washer	Steel
137	Spacer	AISI 304
140	Coupling	Carbon steel
150	Spacer	Carbon steel
160	Base	Cast iron
162	Motor bracket	Cast iron
212	Plug	AISI 304/Teflon
245/1	Coupling guard	AISI 304
245/2	Coupling guard	AISI 304
274/1	C-type snap ring (coupling)	Carbon tool steels
274/2	C-type snap ring (bracket)	Carbon tool steels
274/3	C-type snap ring (shaft end)	Carbon tool steels
274/4	C-type snap ring (mechanical seal)	AISI 304

Model EVMUG

EBARA Stainless Steel Vertical Multistage

Sectional View

Model EVMUG32



Refer to page 824 for dimension details.

Model EVMUG

EBARA Stainless Steel Vertical Multistage

Sectional View – part reference

(See pricing for part availability.)

Model EVMUG32

Location No.	Part Name	Material
005-1	Stage casing (suction)	AISI304
005-2	Stage casing	AISI304
005-3	Stage casing (bearing)	AISI304
005-4	Stage casing (top)	AISI304
006	Bottom casing	Cast iron
007	Outer sleeve	AISI304
011	Casing cover	Cast iron
021	Impeller	AISI304
031	Shaft	AISI316
039-1	Key (coupling)	Steel
043-1	Shaft sleeve (mechanical sleeve)	AISI304
043-2	Shaft sleeve (stage)	AISI304
043-3	Shaft sleeve (bearing/upper)	AISI304
043-4	Shaft sleeve (bearing/lower)	AISI304
043-5	Shaft sleeve (top)	AISI304
044-1	Bearing sleeve (stage)	Tungsten carbide
045	Adjusting ring	Steel
047	Split ring retainer	AISI304
048	Friction nut	AISI304
051	Bearing housing	Cast iron
052-1	Bearing (stage)	Tungsten carbide
056	Ball bearing	–
070-1	Bearing holder	AISI304
107	Wear ring	AISI 316+PTFE
111	Mechanical seal (Cartridge assembly)	SiC/Carbon/FPM/316
115-1	O-ring (outer)	FPM
115-2	O-ring (stage)	FPM
120-1	Tie rod bolt	Zincate steel
120-3	Bolt (mechanical seal)	Stainless steel A2-70
120-4	Bolt (casing cover)	Stainless steel A2-70
120-5	Bolt (coupling M-side)	Zincate steel
120-6	Bolt (coupling P-side)	Zincate steel
120-7	Bolt (bearing)	Zincate steel
120-8	Bolt (bearing housing)	Zincate steel
120-10	Bolt (base plate)	Zincate steel
128-1	Nut (tie-rod bolt)	Zincate steel
130-1	Screw (mechanical seal)	Stainless steel A2-70
130-2	Screw (coupling guard)	Stainless steel A2-70
130-3	Screw (mechanical seal)	Stainless steel A2-70
130-4	Screw (coupling pin)	Stainless steel
131-1	Pin (shaft)	Steel
135-1	Washer (tie-rod bolt)	Zincate steel
135-3	Spring washer (coupling bolt M-side)	Zincate steel
135-4	Spring washer (bearing)	Zincate steel
137-1	Shaft end sleeve	AISI304
140-1	Coupling upper half	Steel
140-2	Coupling lower half	Steel
150	Spacer (coupling)	Steel
160	Base plate	Cast iron
163	Motor stool	Cast iron
169	Motor liner	Cast iron
212	Vent plug (with seal ring)	AISI304/FPM
217	Plug (with seal ring)	AISI304/FPM
245	Coupling guard	AISI304
274-1	C-ring (top)	AISI304
274-2	C-ring (coupling)	Carbon tool steel
613	Pump flange	Steel



EBARA Fluid Handling

www.pumpsebara.com

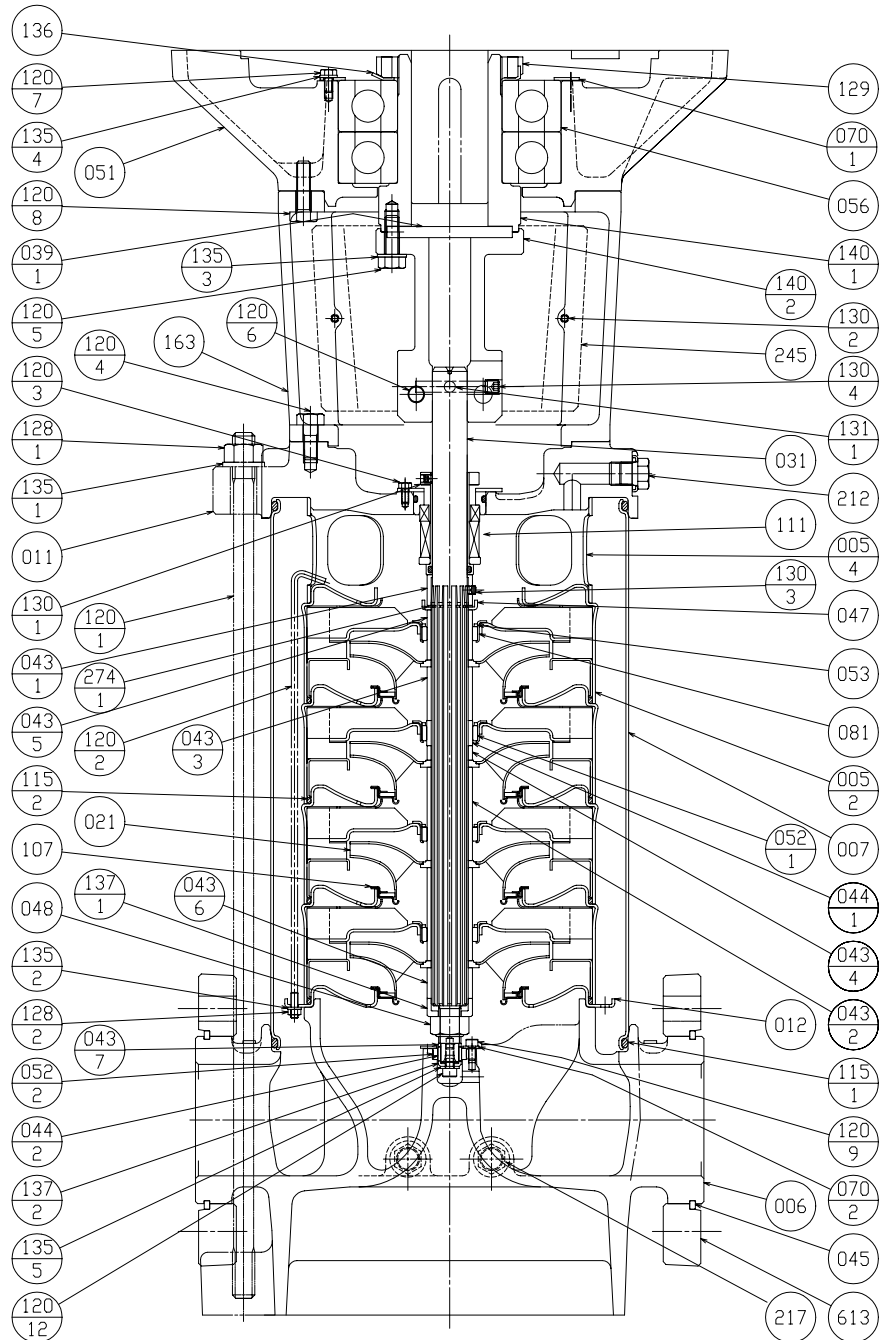
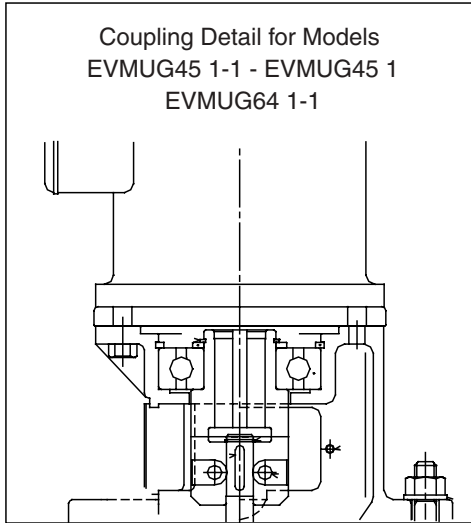
(t) 803 327-5005 • (f) 803 327-5097

Model EVMUG

EBARA Stainless Steel Vertical Multistage

Sectional View

Models EVMUG45
EVMUG64



Refer to page 826 for dimension details.

Model EVMUG

EBARA Stainless Steel Vertical Multistage

Sectional View – part reference

(See pricing for part availability.)

Model EVMUG45 EVMUG64

Location No.	Part Name	Material
005-2	Stage casing	AISI304
005-4	Top casing	AISI304
006	Bottom casing	Cast iron
007	Outer sleeve	AISI304
011	Casing cover	Cast iron
012	Suction cover	AISI304
021	Impeller	AISI304
031	Shaft	AISI316
039-1	Key (coupling)	Steel
043-1	Shaft sleeve (mechanical seal)	AISI304
043-2	Shaft sleeve (stage)	AISI304
043-3	Shaft sleeve (bearing/upper)	AISI304
043-4	Shaft sleeve (bearing/lower)	AISI304
043-5	Shaft sleeve (top)	AISI304
043-6	Shaft sleeve (suction)	AISI304
043-7	Shaft sleeve (bottom bearing)	AISI304
044-1	Bearing sleeve (stage)	Tungsten carbide
044-2	Bearing sleeve (bottom bearing)	Tungsten carbide
045	Adjusting ring	Steel
047	Split ring retainer	AISI304
048	Friction nut	AISI304
051	Bearing housing	Cast iron
052-1	Bearing (stage)	Tungsten carbide
052-2	Bearing (bottom)	Tungsten carbide
053	Bush holder	AISI304
056	Ball bearing	-
070-1	Bearing holder	AISI304
070-2	Bearing holder (bottom bearing)	AISI304
081	Bush	PTFE (alloy)
107	Wear ring	AISI316+PTFE
111	Mechanical seal Cartridge ass'y	SiC/Carbon/FPM/316
115-1	O-ring (outer)	FPM
115-2	O-ring (stage)	FPM
120-1	Tie-rod bolt	Zincate steel
120-2	Stack bolt	AISI304
120-3	Bolt (mechanical seal)	Stainless steel A2-70
120-4	Bolt (casing cover)	Stainless steel A2-70
120-5	Bolt (coupling M-side)	Zincate steel
120-6	Bolt (coupling P-side)	Zincate steel
120-7	Bolt (bearing)	Zincate steel
120-8	Bolt (bearing housing)	Zincate steel
120-9	Bolt (bottom bearing)	Stainless steel A2-70
120-12	Bolt (shaft end)	Stainless steel A2-70
128-1	Nut (tie-rod bolt)	Zincate steel
128-2	Nut (Stack bolt)	AISI304
129	Bearing nut (coupling)	Carbon steel
130-1	Screw (mechanical seal)	Stainless steel A2-70
130-2	Screw (coupling guard)	Stainless steel A2-70
130-3	Screw (mechanical seal)	Stainless steel A2-70
130-4	Screw (coupling pin)	Stainless steel
131-1	Pin (shaft)	Steel
135-1	Washer (tie-rod bolt)	Zincate s steel
135-2	Spring washer (Stack bolt)	AISI304
135-3	Spring washer (coupling bolt M-side)	Zincate steel
135-4	Spring washer (bearing)	Zincate steel
135-5	Spring washer (shaft end)	AISI304
136	Bearing washer (coupling)	Carbon steel
137-1	Shaft end sleeve	AISI304
137-2	Shaft end sleeve	AISI304
140-1	Coupling upper half	Steel
140-2	Coupling lower half	Steel
163	Motor stool	Cast iron
212	Vent plug (with seal ring)	AISI304/FPM
217	Plug (with seal ring)	AISI304/FPM
245	Coupling guard	AISI304
274-1	C-ring (top)	AISI304
613	Pump flange	Steel



EBARA Fluid Handling

www.pumpsebara.com

(t) 803 327-5005 • (f) 803 327-5097

826

rev. 06/05

