

Model CDU

EBARA Stainless Steel Centrifugal Pumps

Contents

Item No.	Specifications	Selection Chart	Performance Curve	Pump Dimensions	Sectional View
CDU70/1-3/4HP CDU70/3-1½HP CDU70/5-2HP CDU120/1-1HP CDU120/3-1½HP CDU120/5-3HP CDU200/1-½HP CDU200/3-3HP CDU200/5-3HP	301	302	303	310	311



Model CDU**EBARA Stainless Steel Centrifugal Pumps****Specifications**

	Standard	Optional
Size		
Suction	CDU70 – 1¼" NPT thread CDU120 – 1¼" NPT thread CDU200 – 1½" NPT thread	
Discharge	1" NPT thread	
Range of HP	¾ HP to 3 HP	
Range of Performance		
Capacity	5.5 to 95 GPM at 3450 RPM	
Head	26 to 144 feet at 3450 RPM	
Liquid handled		
Type of liquid	Water	
Temperature	212°F (100°C)	Max. 250°F (121°C) with optional high temperature seal
Max. working pressure	125 PSI (9 Bar)	
Materials		
Casing	304L Stainless Steel	
Impeller (closed type)	304L Stainless Steel	
Shaft	Stainless Steel	
Bracket	Aluminum	
Shaft Seal	Mechanical Seal – Type 21	High temperature version Mild chemical version
Bearing	Ball Bearing	
Direction of Rotation	Clockwise when viewed from motor end	
Motor		
Type	NEMA 56J Frame	
Speed	60 Hz, 3450 RPM (2 poles)	
Single Phase	TEFC – ¾ HP to 3 HP ODP – ¾ HP to 3 HP, 115/230V	Explosion proof – consult factory
Three Phase	TEFC – ¾ HP to 3 HP ODP – ¾ HP to 3 HP, 208-230/460V	Washdown duty – consult factory
Motor Protection	Built-in overload protection (single phase)	

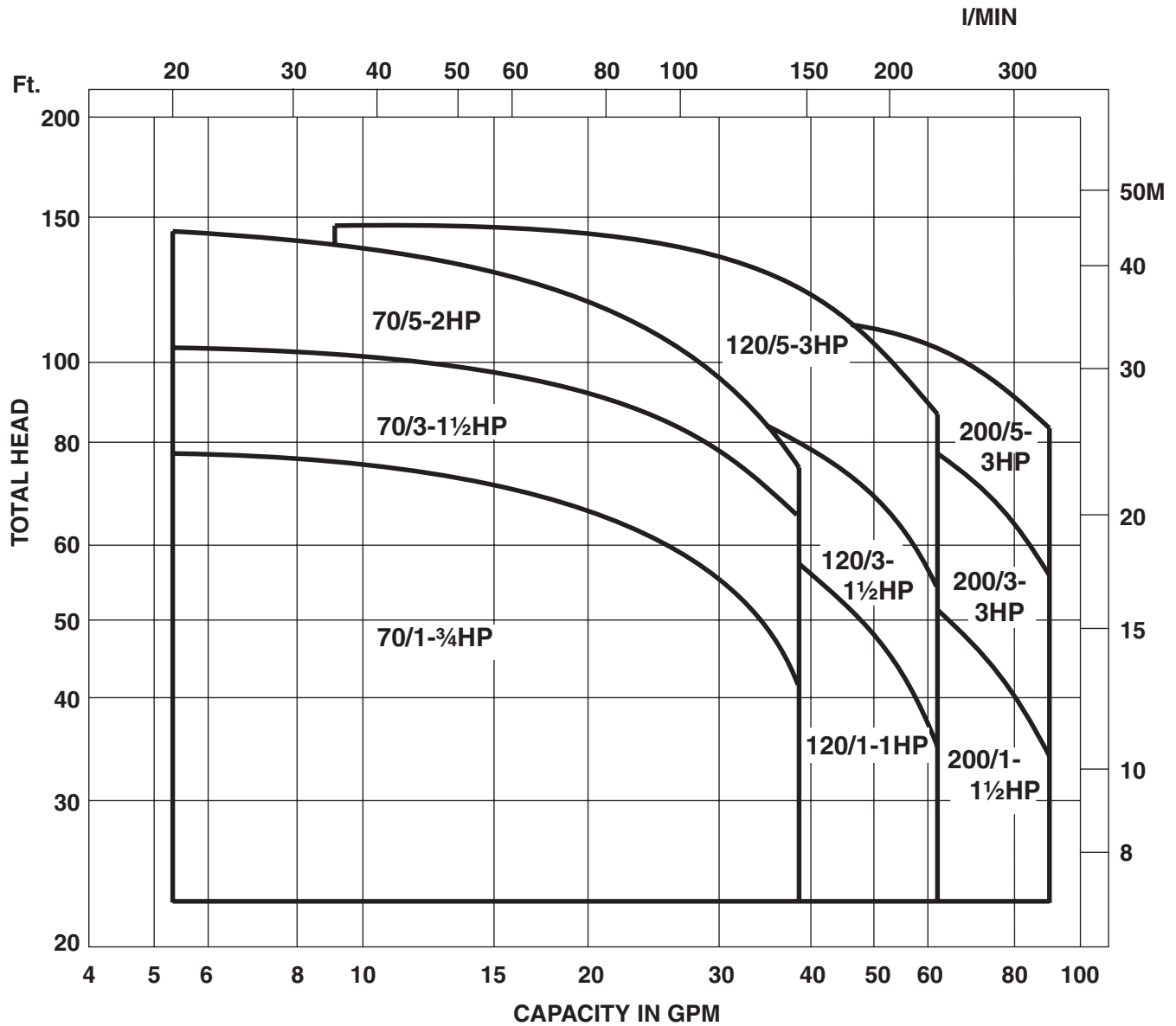


Model CDU

EBARA Stainless Steel Centrifugal Pumps

Selection Chart

Synchronous Speed 3450 RPM



Model CDU

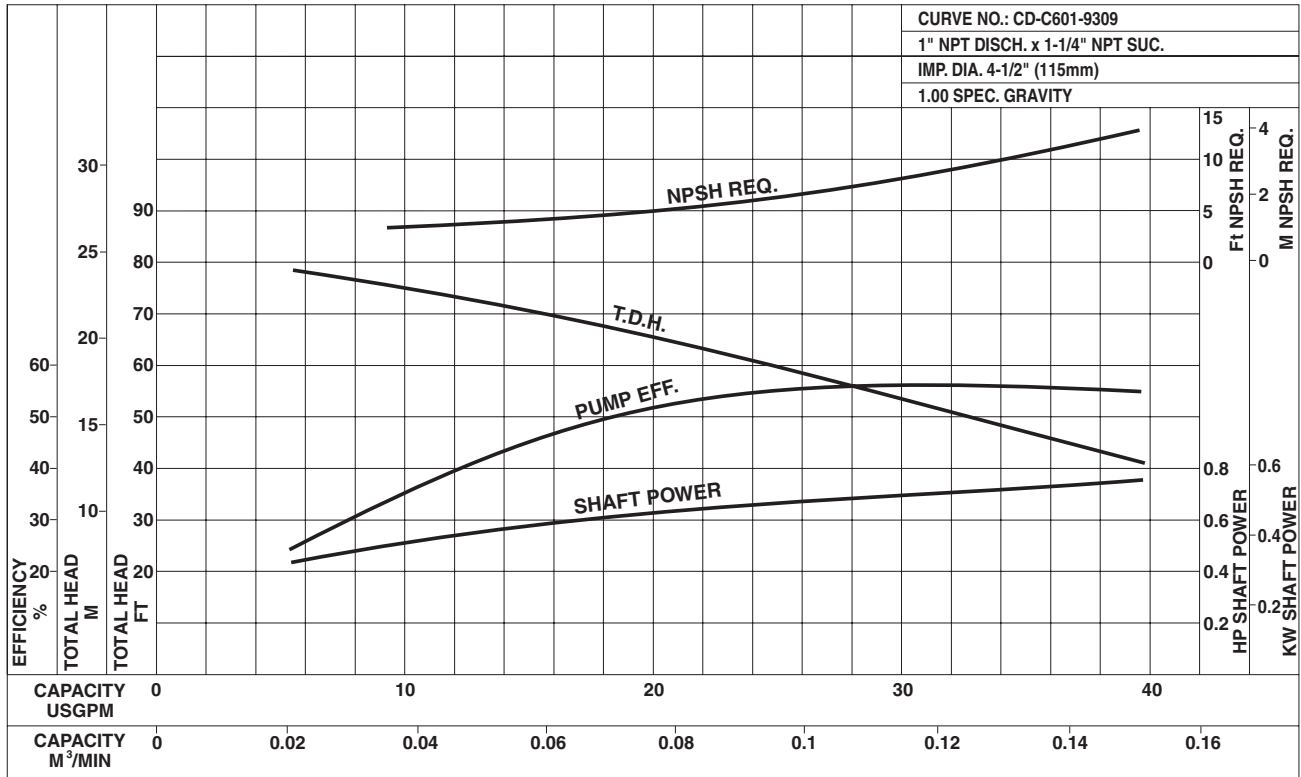
EBARA Stainless Steel Centrifugal Pumps

Performance Curves

CDU70/1-3/4 HP

Synchronous Speed: 3450 RPM

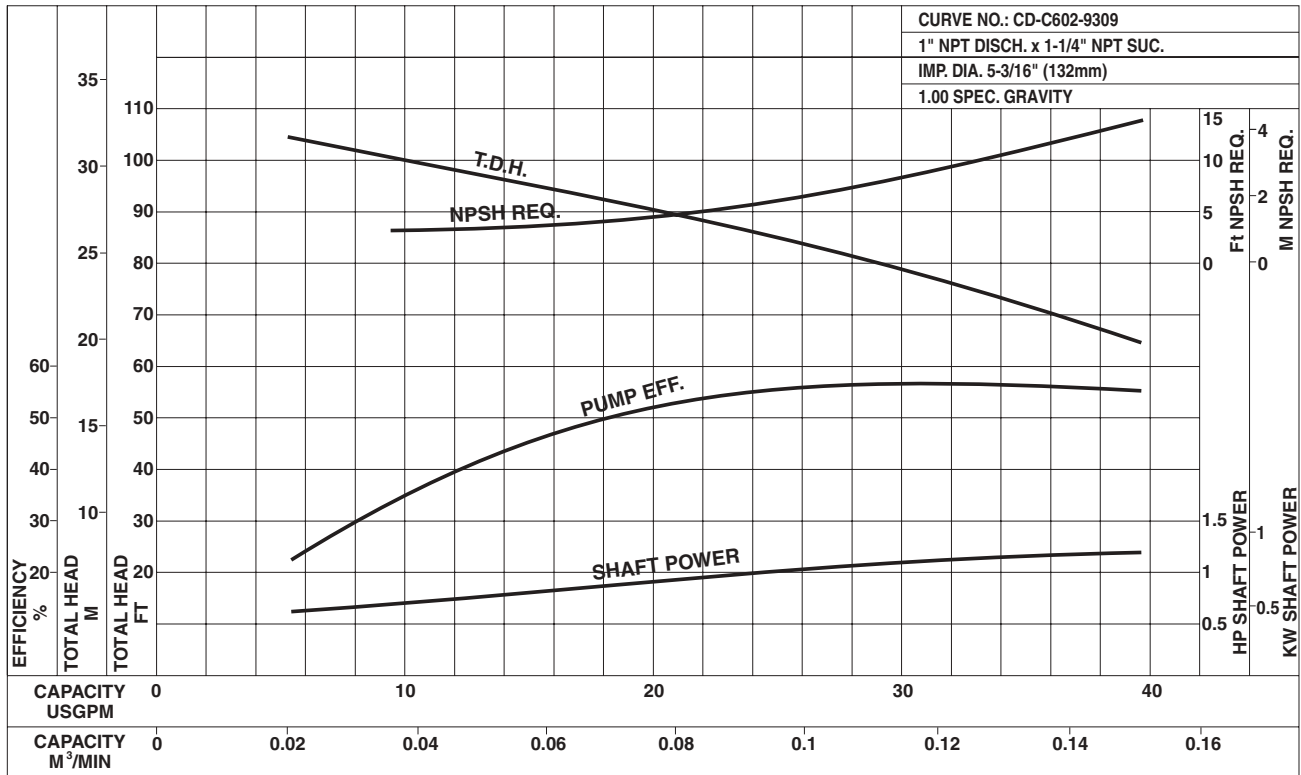
Size: 1 x 1 1/4 x 4 1/2



CDU70/3-1 1/2 HP

Synchronous Speed: 3450 RPM

Size: 1 x 1 1/4 x 5 3/16



Model CDU

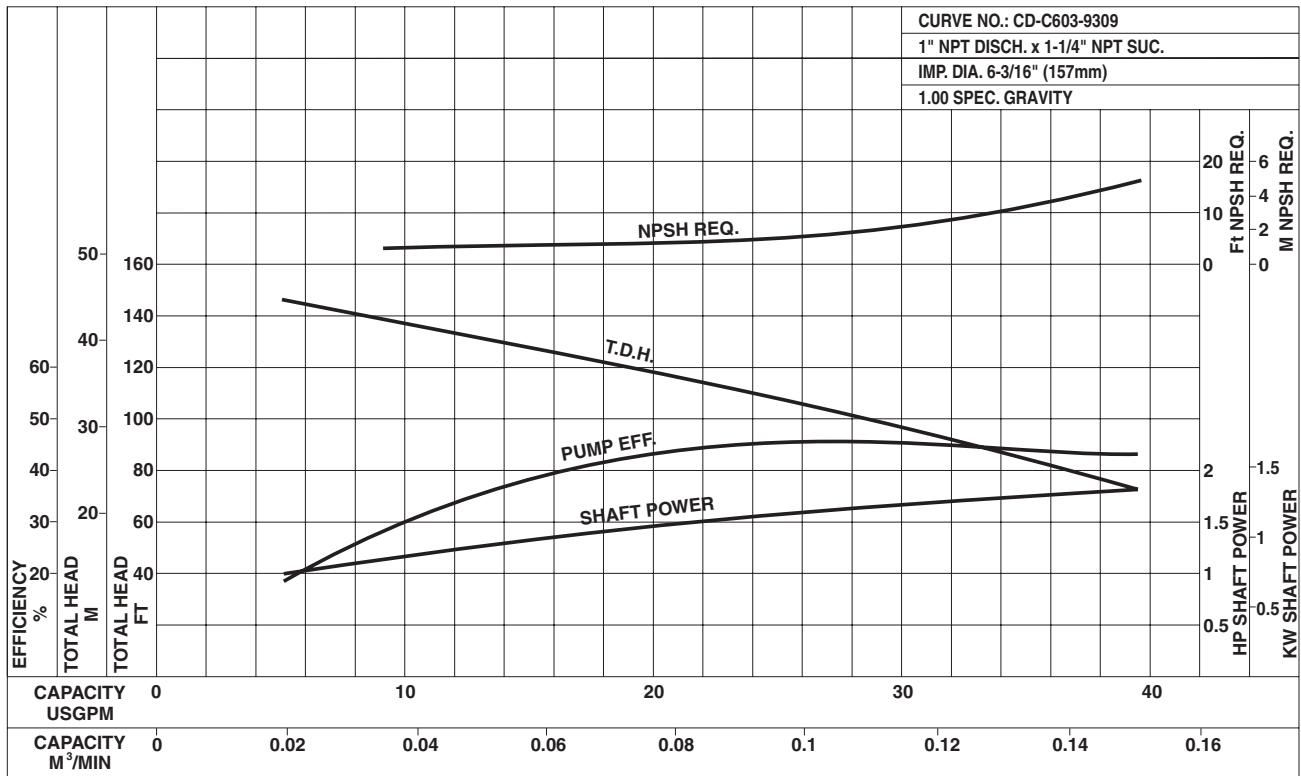
EBARA Stainless Steel Centrifugal Pumps

Performance Curves

CDU70/5-2HP

Synchronous Speed: 3450 RPM

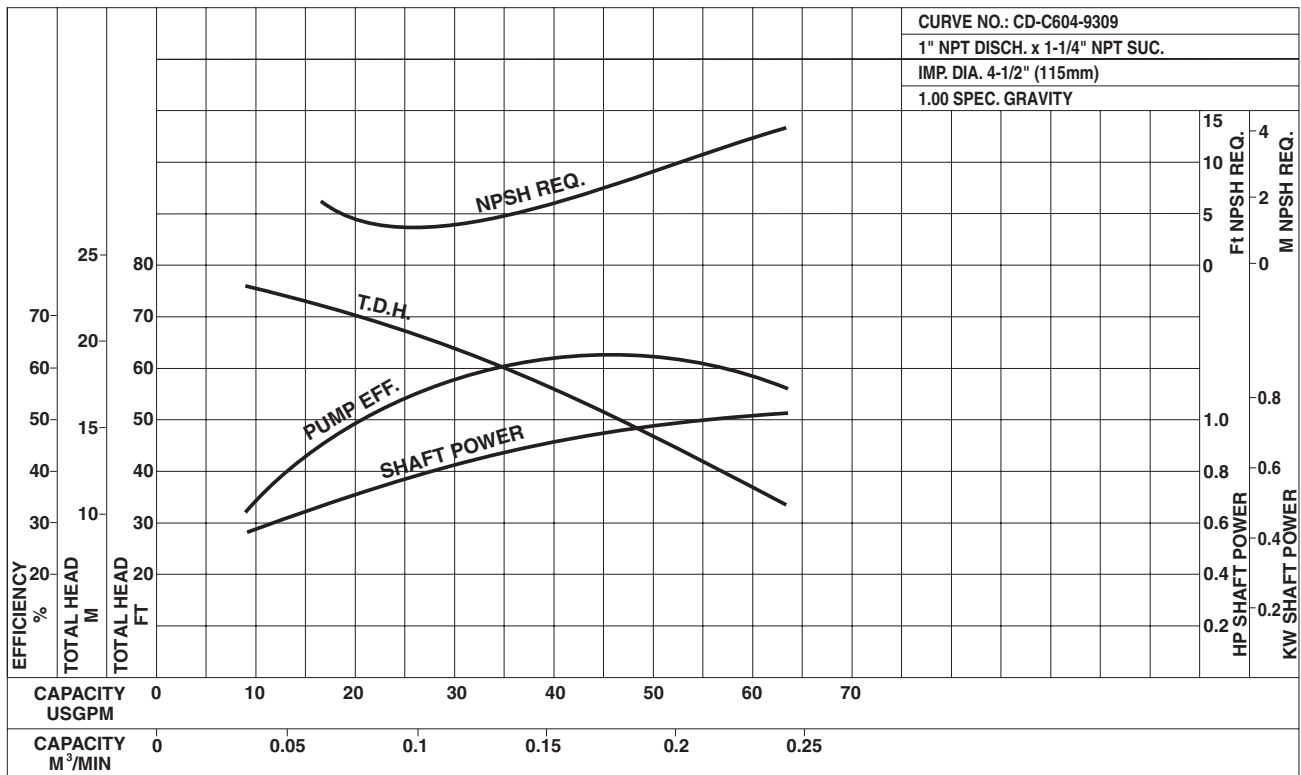
Size: 1 x 1¹/₄ x 6³/₁₆



CDU120/1-1HP

Synchronous Speed: 3450 RPM

Size: 1 x 1¹/₄ x 4¹/₂



Model CDU

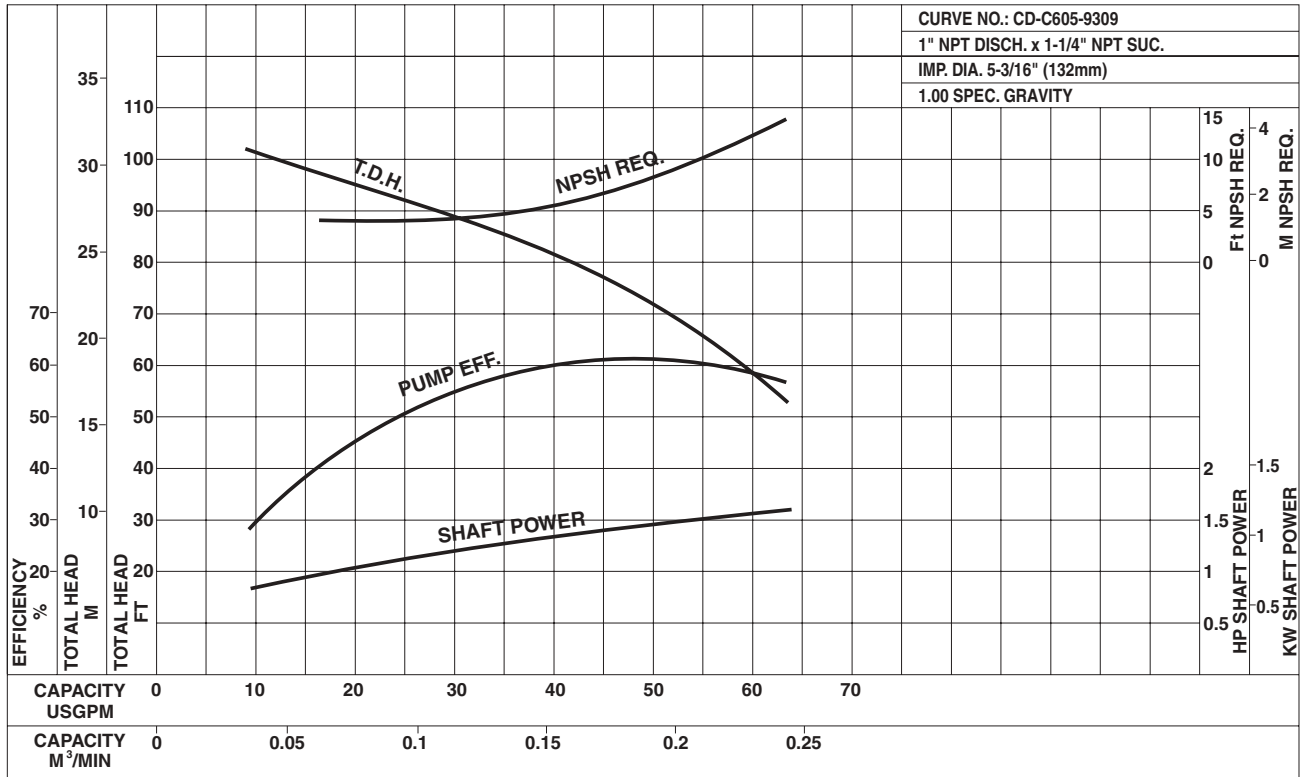
EBARA Stainless Steel Centrifugal Pumps

Performance Curves

CDU120/3-1½ HP

Synchronous Speed: 3450 RPM

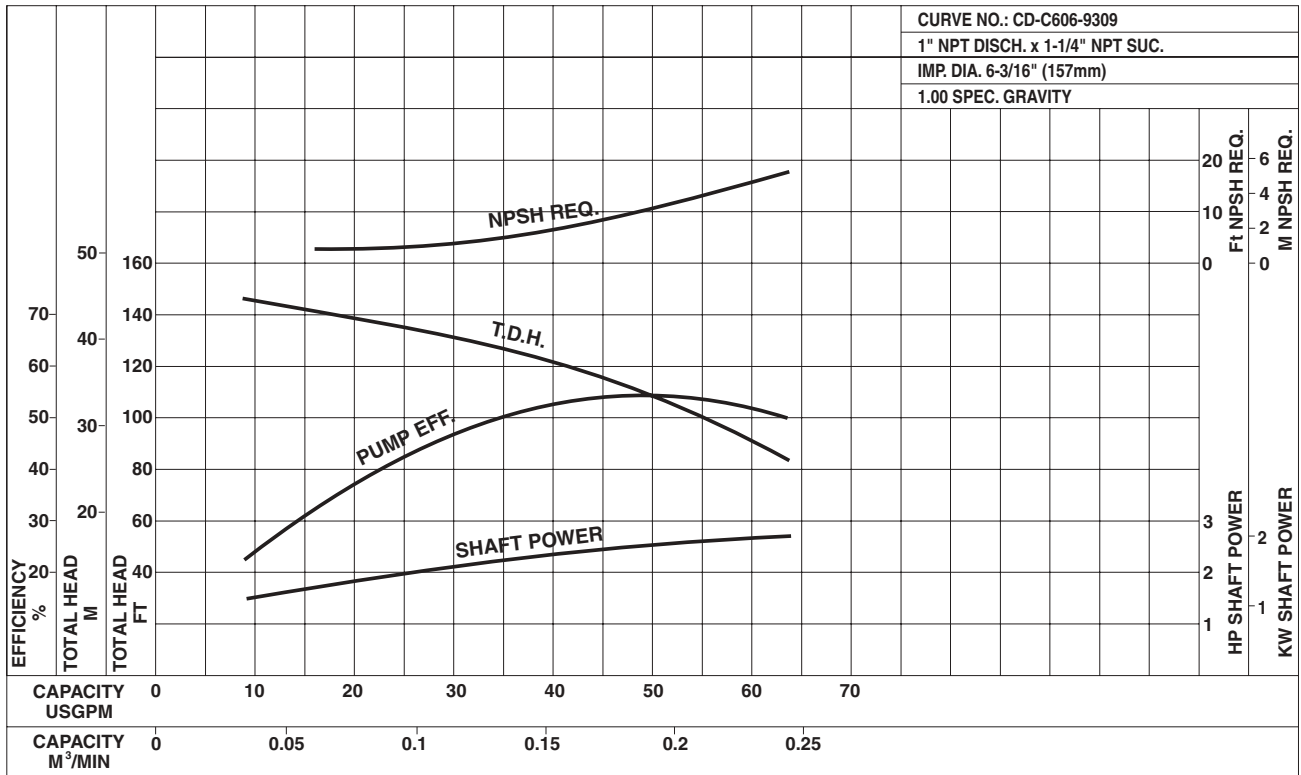
Size: 1 x 1¼ x 5³/₁₆



CDU120/5-3HP

Synchronous Speed: 3450 RPM

Size: 1 x 1¼ x 6³/₁₆



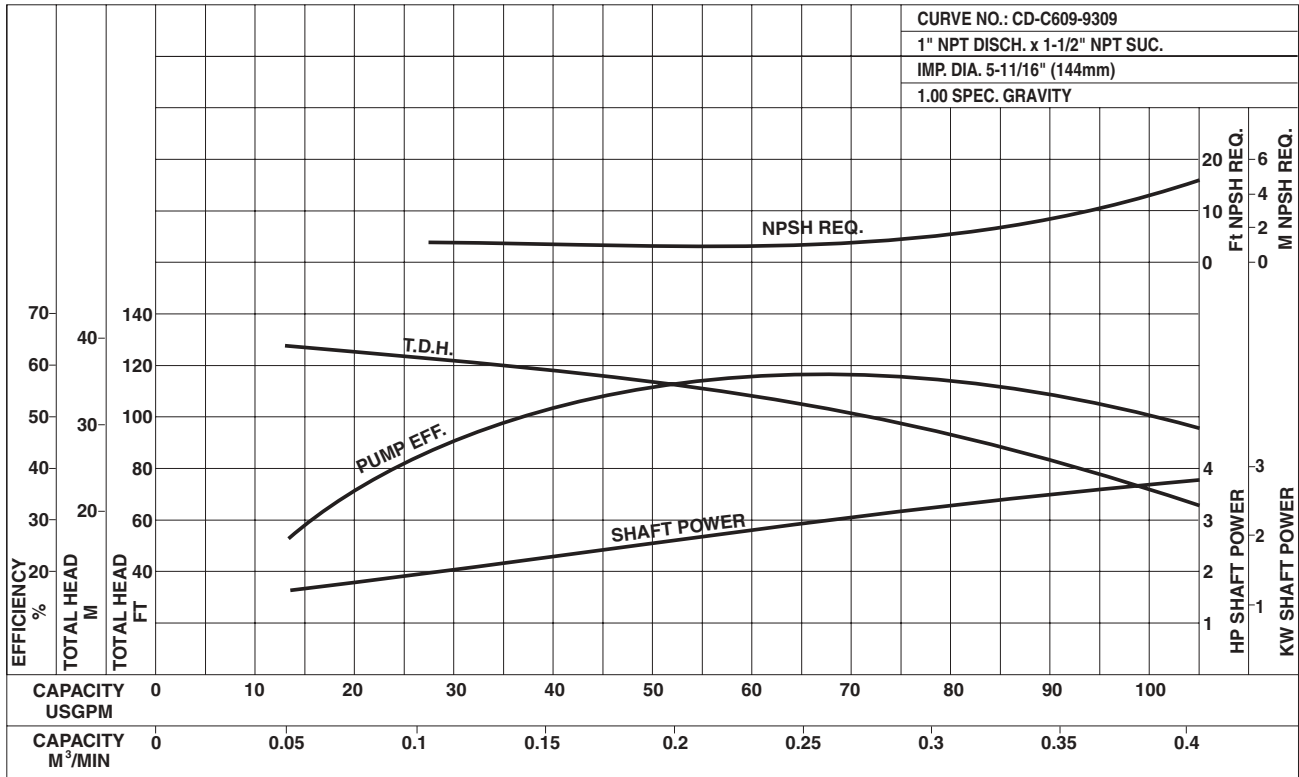
Model CDU
Performance Curves

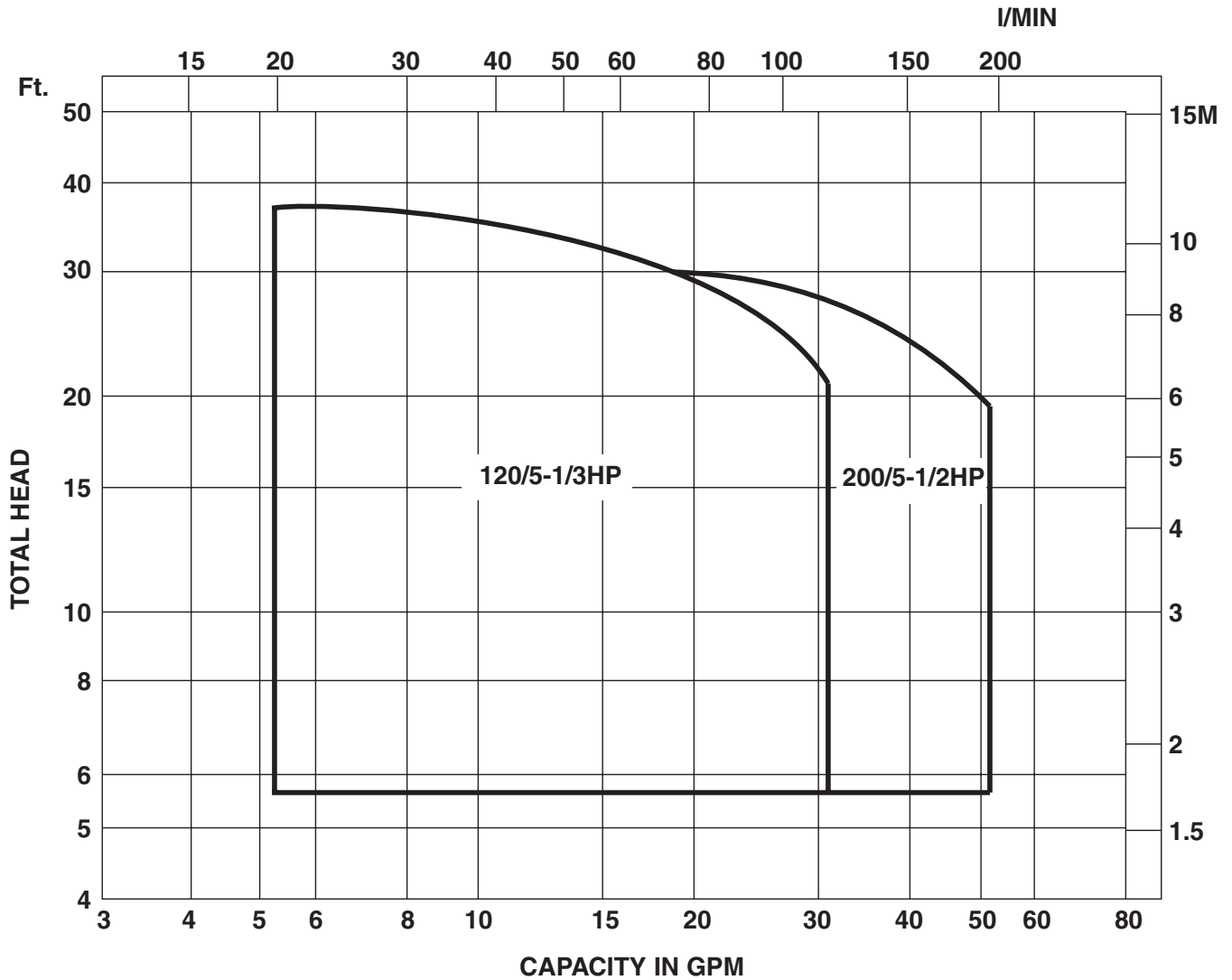
EBARA Stainless Steel Centrifugal Pumps

CDU200/5-3HP

Synchronous Speed: 3450 RPM

Size: 1 x 1 1/2 x 5 11/16





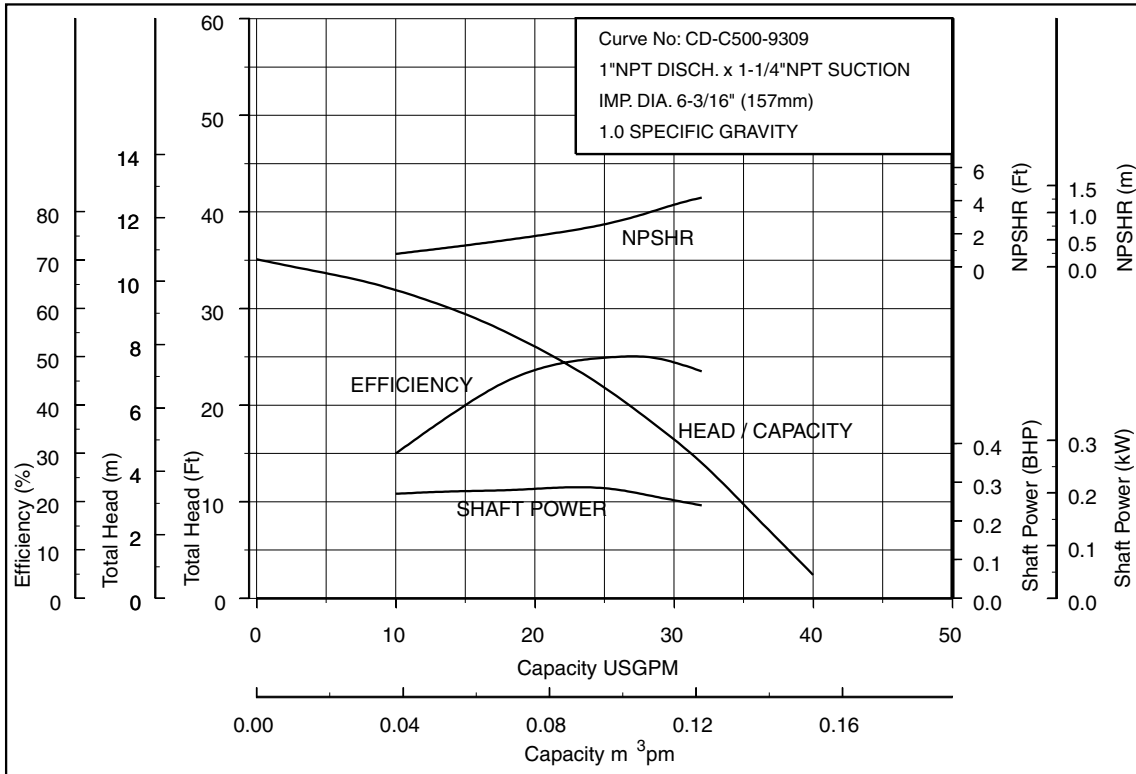
Model CDU
Performance Curves

EBARA Stainless Steel Centrifugal Pumps

CDU4 120/5-1/3 HP

Synchronous Speed: 1725 RPM

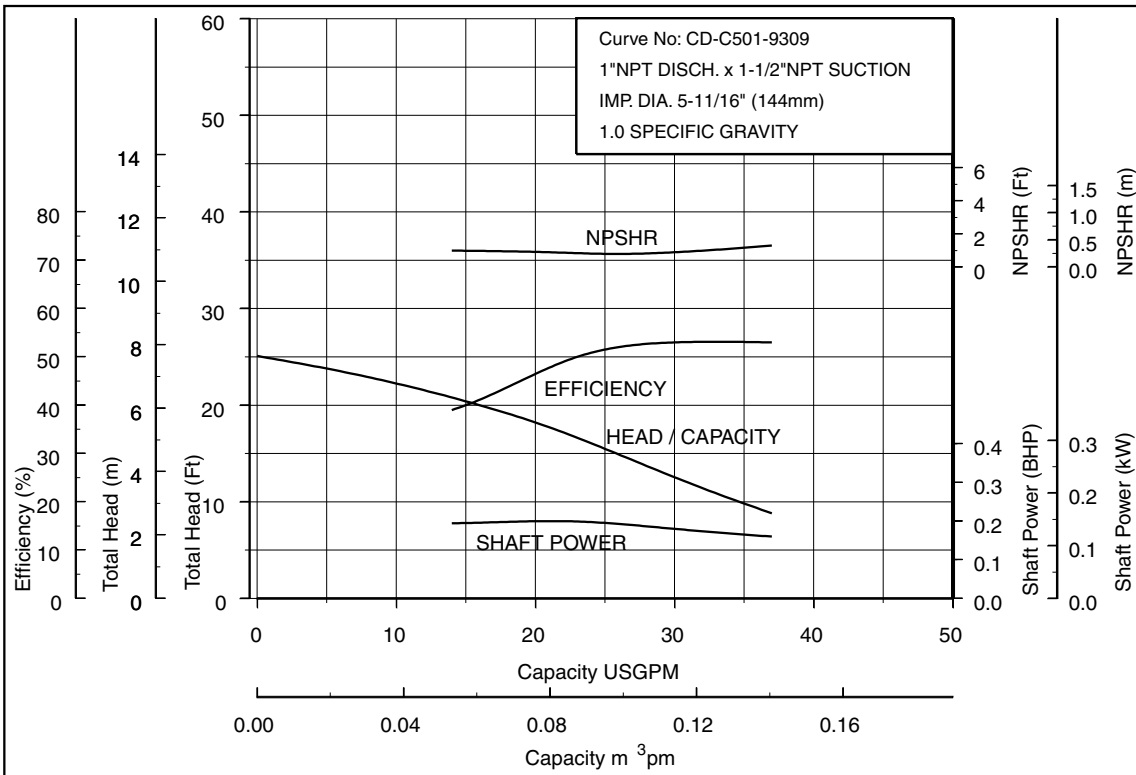
Size: 1 x 1 1/4 x 6 3/16



CDU4 200/5-1/2 HP

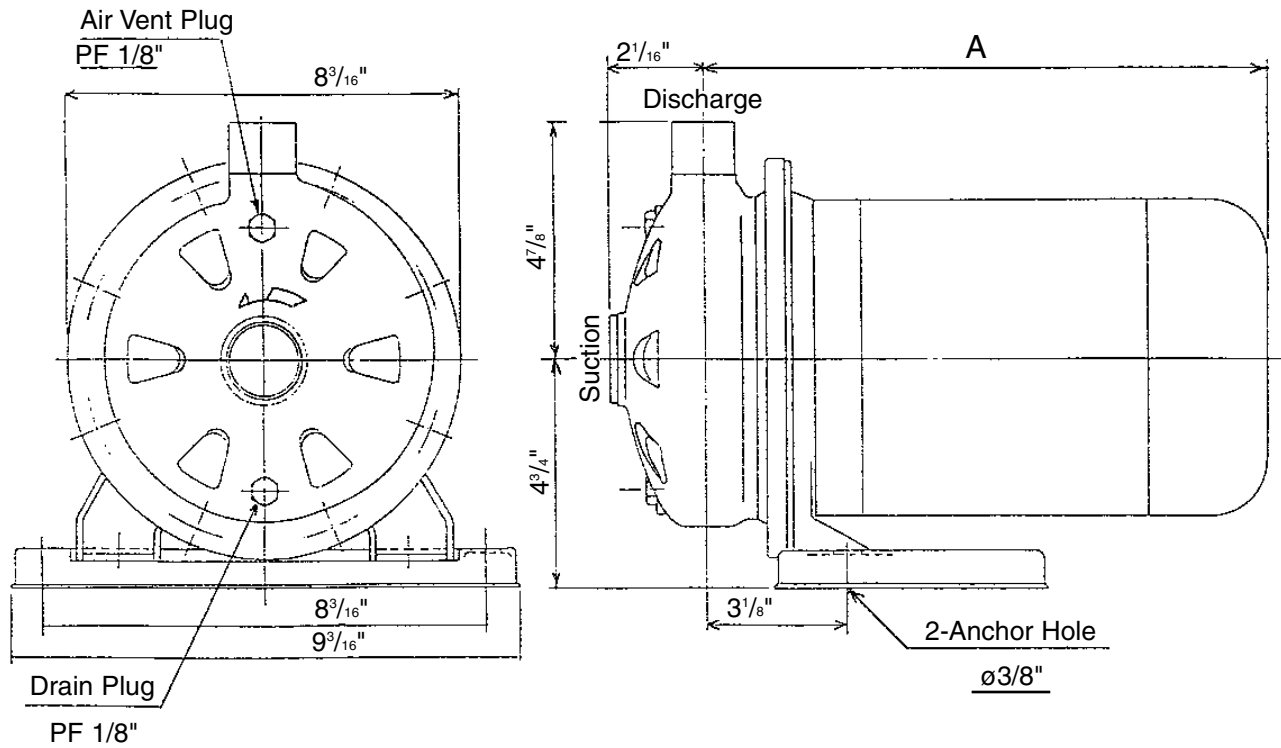
Synchronous Speed: 1725 RPM

Size: 1 x 1 1/2 x 5 11/16



**Model CDU
Pump Dimensions**

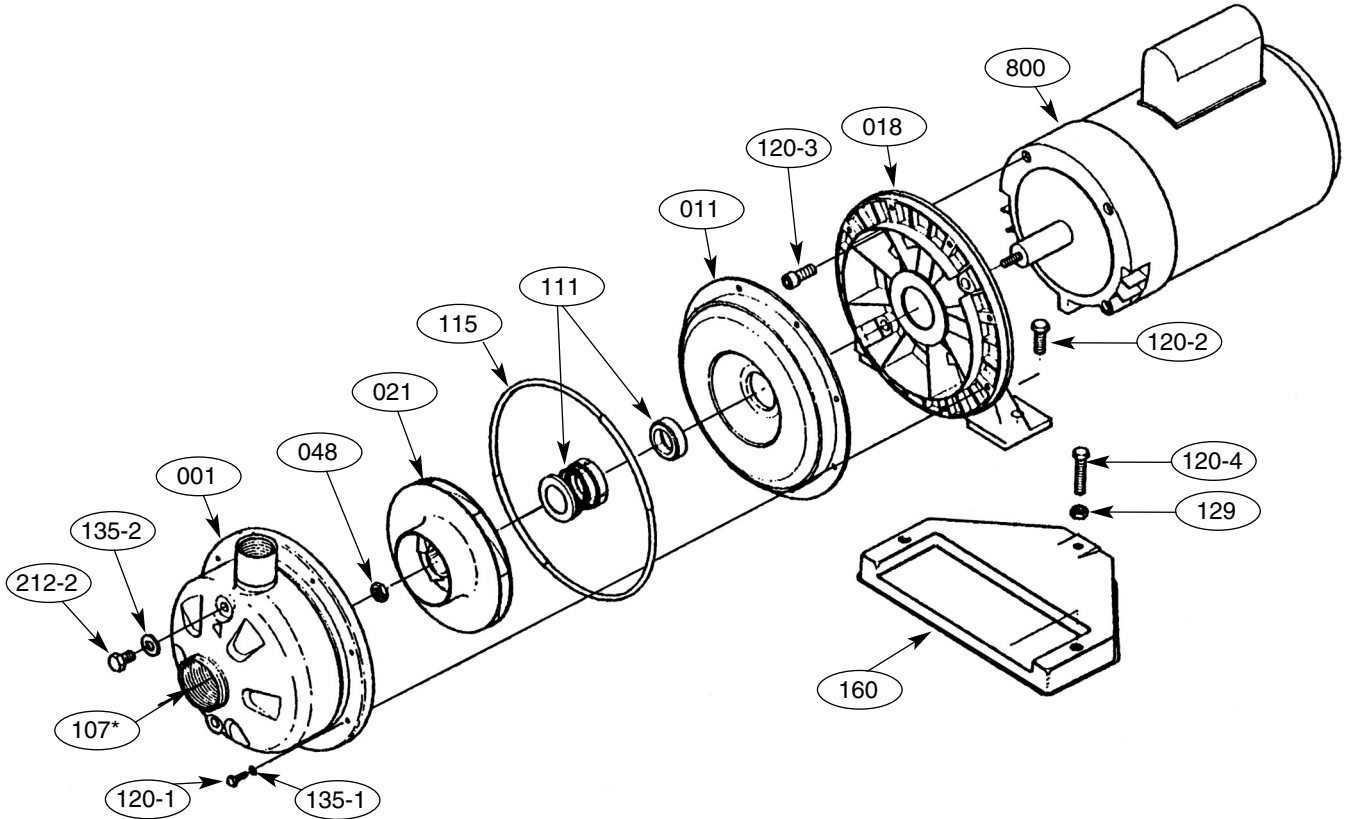
EBARA Stainless Steel Centrifugal Pumps



Model	Model	Pump Size – NPT (Inch)		Dimension (Inch)	Unit Weight (lbs.)			
		Suction	Discharge	A	Single Phase		Three Phase	
					ODP	TEFC	ODP	TEFC
CDU70/1-3/4HP	1 x 1 ¹ / ₄ x 4 ¹ / ₂	1 ¹ / ₄	1	13 ⁷ / ₈ Max.	36	41	31	31
CDU70/3-1 ¹ / ₂ HP	1 x 1 ¹ / ₄ x 5 ³ / ₁₆	1 ¹ / ₄	1	13 ⁹ / ₁₆ Max.	47	50	39	39
CDU70/5-2HP	1 x 1 ¹ / ₄ x 6 ³ / ₁₆	1 ¹ / ₄	1	14 ⁷ / ₁₆ Max.	51	58	44	48
CDU120/1-1HP	1 x 1 ¹ / ₄ x 4 ¹ / ₂	1 ¹ / ₄	1	13 ⁹ / ₁₆ Max.	41	46	33	32
CDU120/3-1 ¹ / ₂ HP	1 x 1 ¹ / ₄ x 5 ³ / ₁₆	1 ¹ / ₄	1	13 ⁹ / ₁₆ Max.	47	50	39	39
CDU120/5-3HP	1 x 1 ¹ / ₄ x 6 ³ / ₁₆	1 ¹ / ₄	1	14 ⁷ / ₁₆ Max.	59	66	51	60
CDU200/1-1 ¹ / ₂ HP	1 x 1 ¹ / ₂ x 4 ¹ / ₂	1 ¹ / ₂	1	13 ⁹ / ₁₆ Max.	47	50	39	39
CDU200/3-3HP	1 x 1 ¹ / ₂ x 5 ³ / ₁₆	1 ¹ / ₂	1	14 ⁷ / ₁₆ Max.	58	65	50	59
CDU200/5-3HP	1 x 1 ¹ / ₂ x 5 ¹¹ / ₁₆	1 ¹ / ₂	1	14 ⁷ / ₁₆ Max.	58	65	50	59

**Model CDU
Sectional View**

EBARA Stainless Steel Centrifugal Pumps



Part No.	Part Name	Material	No. for 1 Unit
001	Casing	304L Stainless	1
011	Casing cover	304L Stainless	1
018	Bracket	Aluminum	1
021	Impeller	304L Stainless	1
048	Impeller nut	304L Stainless	1
107*	Casing ring (*CDU 70 series only)	Viton	1
111	Mechanical seal	—	1
115	O-Ring	Viton	1
120-1	Bolt	304L Stainless	8
120-2	Bolt	304L Stainless	2
120-3	Bolt	304L Stainless	4
120-4	Bolt	304L Stainless	1
129	Nut	304L Stainless	1
135-1	Washer	304L Stainless	8
135-2	Washer	Aluminum	2
160	Base	Steel	1
212-2	Plug	304L Stainless	2
800	Motor	—	1