

**Model CVFU****EBARA PRO Cast Vortex Sewage Pumps****Contents**

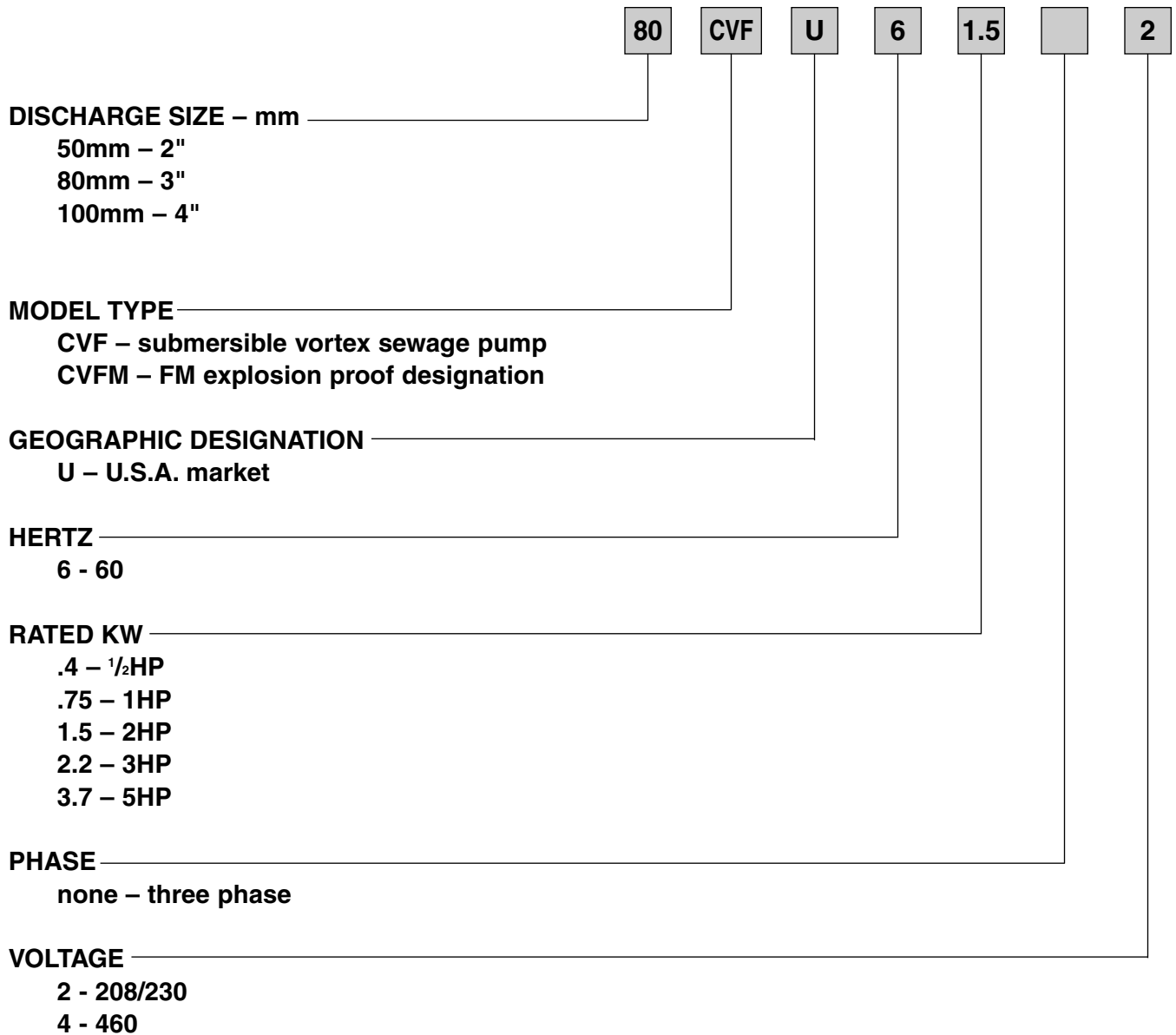
50CVFU61.5  
 50CVFU62.2  
 80CVFU61.5  
 80CVBFU62.2  
 80CVCFU62.2  
 80CVBFU63.7  
 80CVCFU63.7

<b>Section</b>	<b>Page</b>
Specifications	1802
Selection Chart	1803
Performance Curves	1807
Dimensions	1811
Sectional View	1818
QDC Information	1900
Motor Data	2000
motor electrical specifications	
cable data	
wiring diagrams	
motor electrical data	

**Model CVFU**

**EBARA PRO Cast Vortex Sewage Pumps**

**Model Designation**



**Model CVFU**

**EBARA PRO Cast Vortex Sewage Pumps**

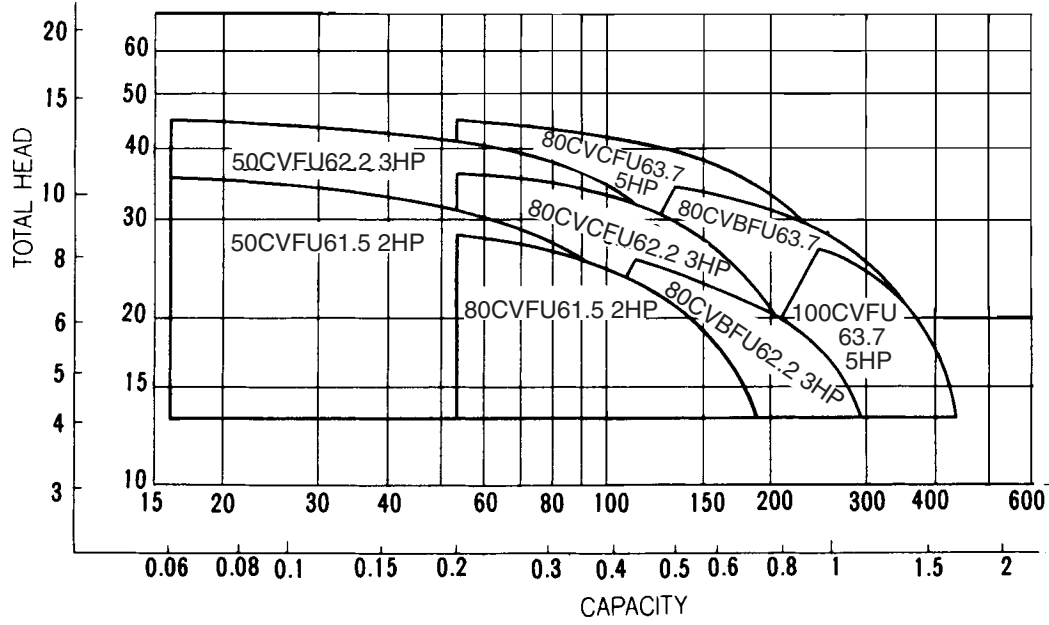
**Specifications**

	Standard	Optional
Size	2, 3, 4	
Range of HP	2 to 5 HP	
Range of Performance	Capacity 16 to 425 GPM Head 13 to 50 feet	
<b>Limitation</b> Maximum Water Temperature	104°F (40°C)	
<b>Speed</b>	1800 RPM	
<b>Materials</b> Casing Impeller Shaft Motor Frame Fastener	Cast Iron Cast Iron 403 Stainless Steel Cast Iron 304 Stainless Steel	
<b>Mechanical Seal</b> Material – Upper Side Material – Lower Side Impeller Type Bearing Motor Three Phase Motor Protection Accessories	Double Mechanical Seal Carbon/Ceramic Silicon Carbide/Silicon Carbide Recessed Vortex Impeller Prelubricated Ball Bearing Insulation Class F 208/230V, 460V Built-in Thermal Detector – Klaxons Built-in Leakage Detector Submersible cable 33 ft.	FM Explosion Proof, Class 1, Division 1, Group C, D  ____ ft. (customer specified) QDC System

**Model CVFU  
Selection Chart**

**EBARA PRO Cast Vortex Sewage Pumps**

**Three Phase**



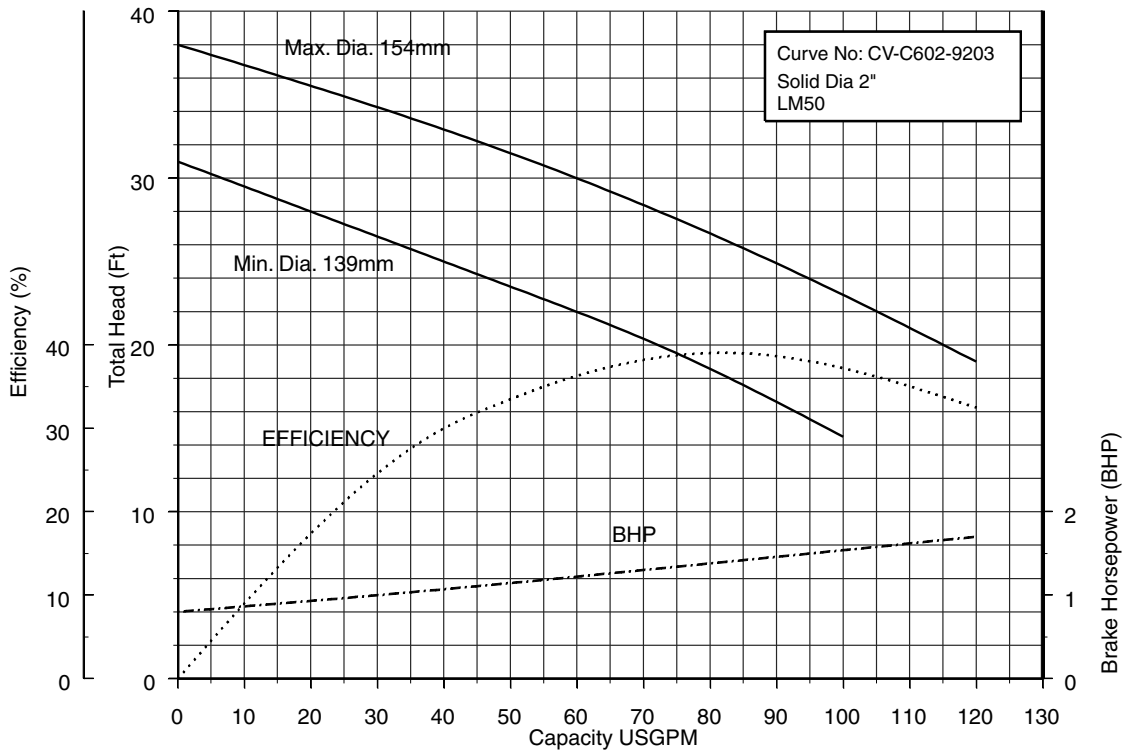
**Model CVFU**

**EBARA PRO Cast Vortex Sewage Pumps**

**Performance Curves**

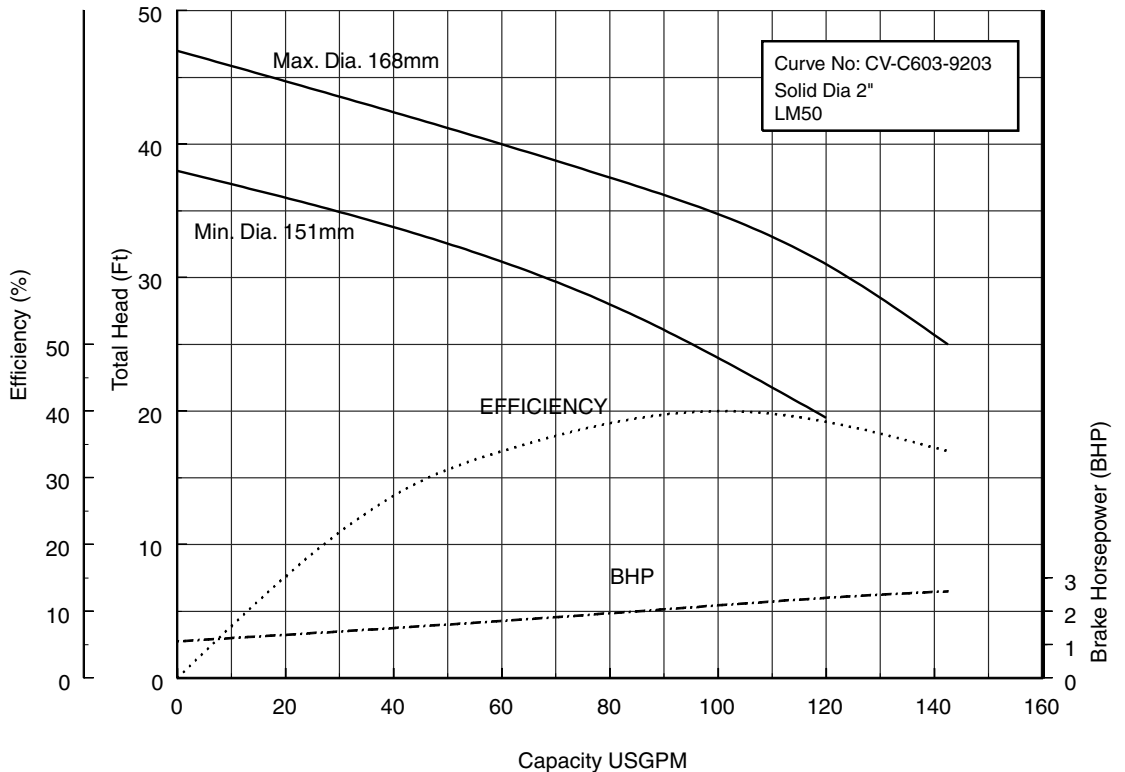
**50CVF61.5 (2HP) Synchronous Speed: 1800 RPM**

**2 inch Discharge**



**50CVF62.2 (3HP) Synchronous Speed: 1800 RPM**

**2 inch Discharge**



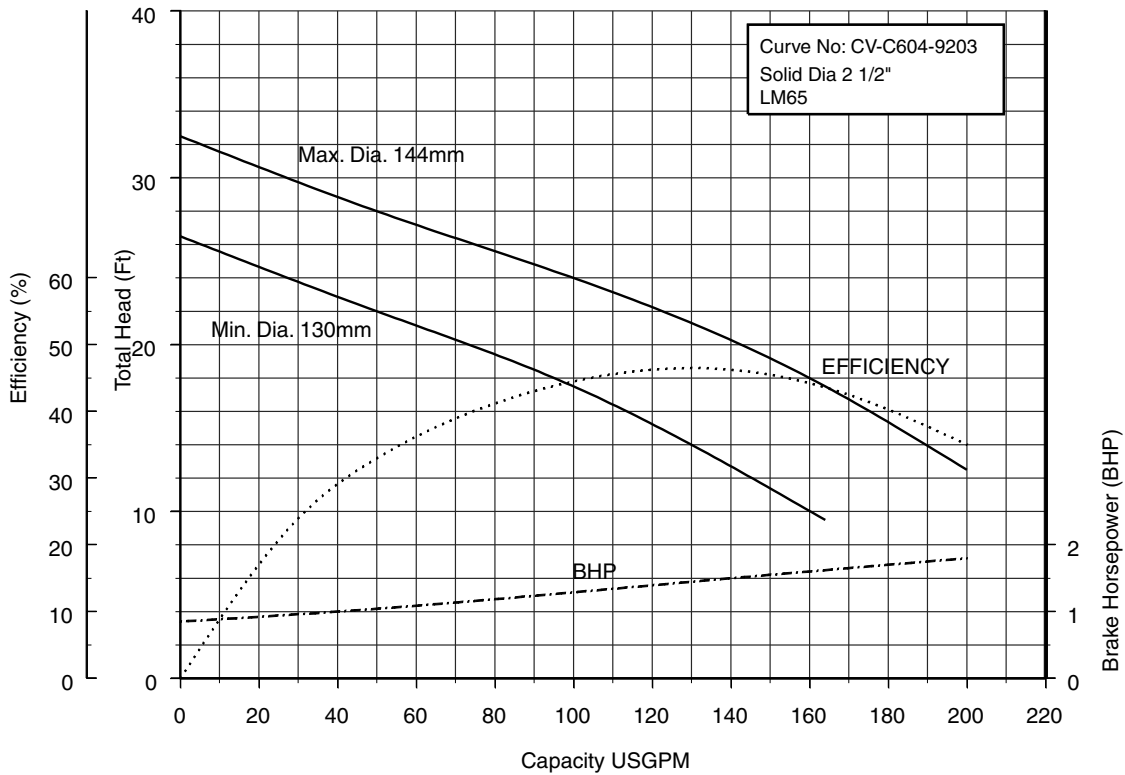
**Model CVFU**

**EBARA PRO Cast Vortex Sewage Pumps**

**Performance Curves**

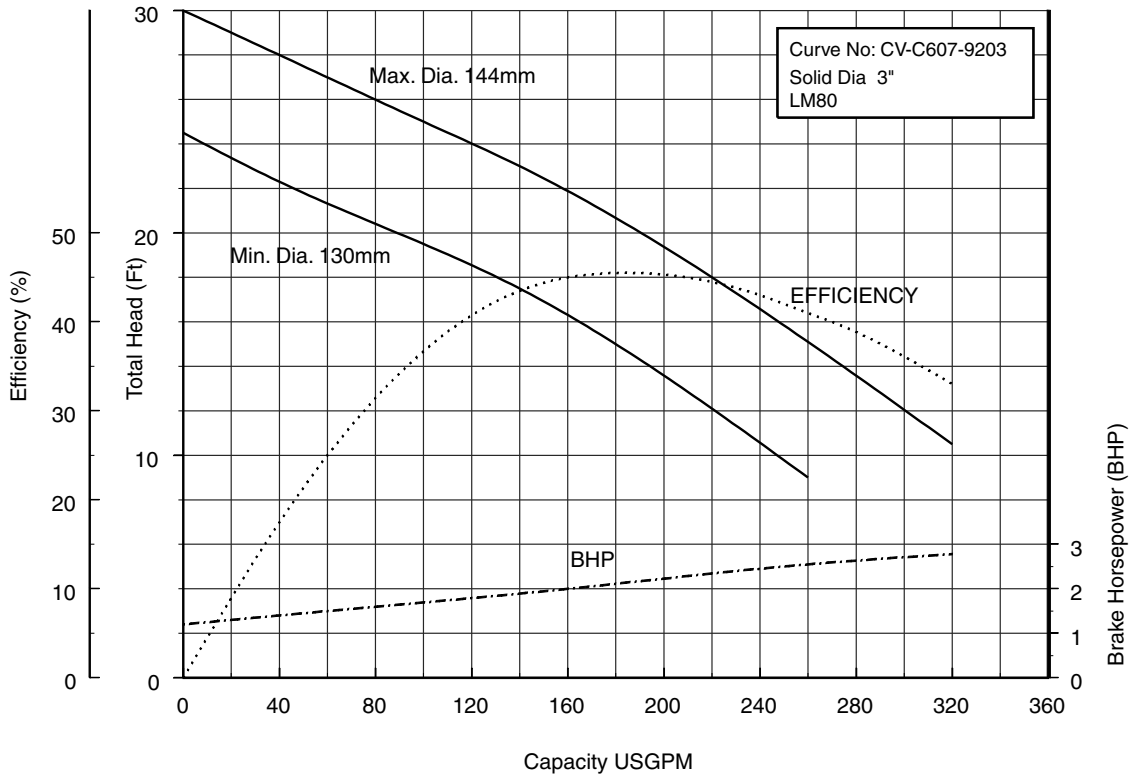
**80CVF61.5 (2HP) Synchronous Speed: 1800 RPM**

**2, 3 inch Discharge**



**80CVBF62.2 (3HP) Synchronous Speed: 1800 RPM**

**3, 4 inch Discharge**



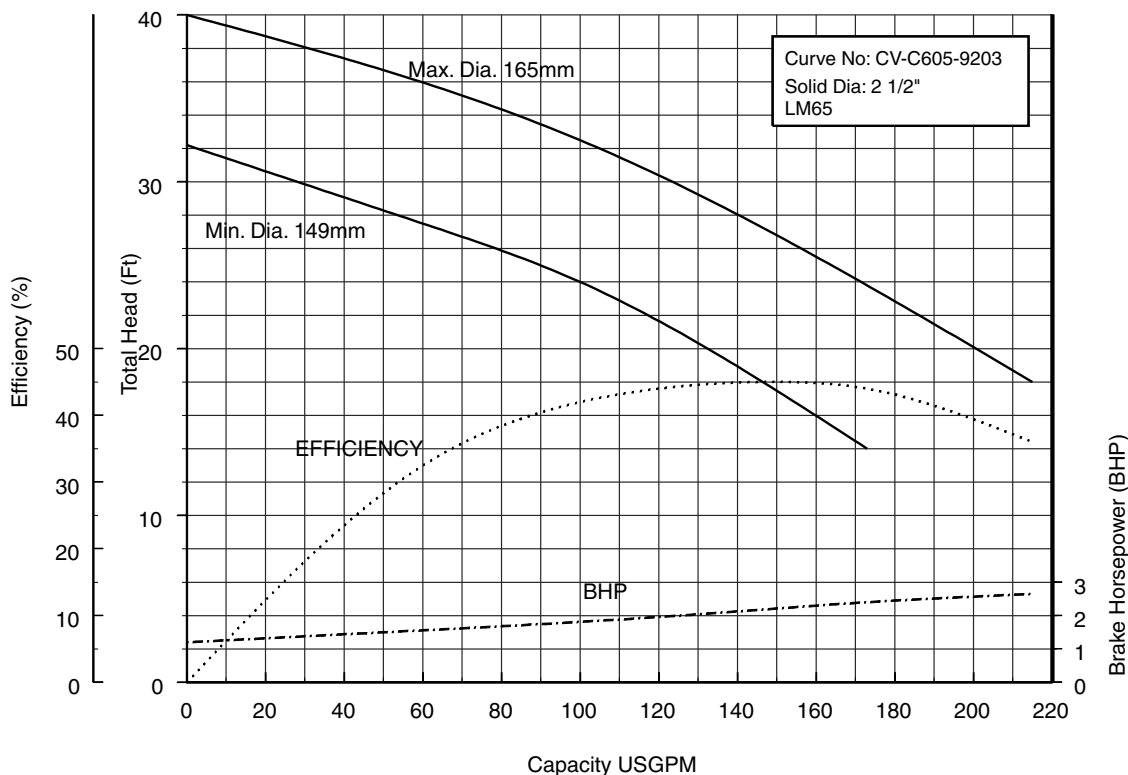
**Model CVFU**

**EBARA PRO Cast Vortex Sewage Pumps**

**Performance Curves**

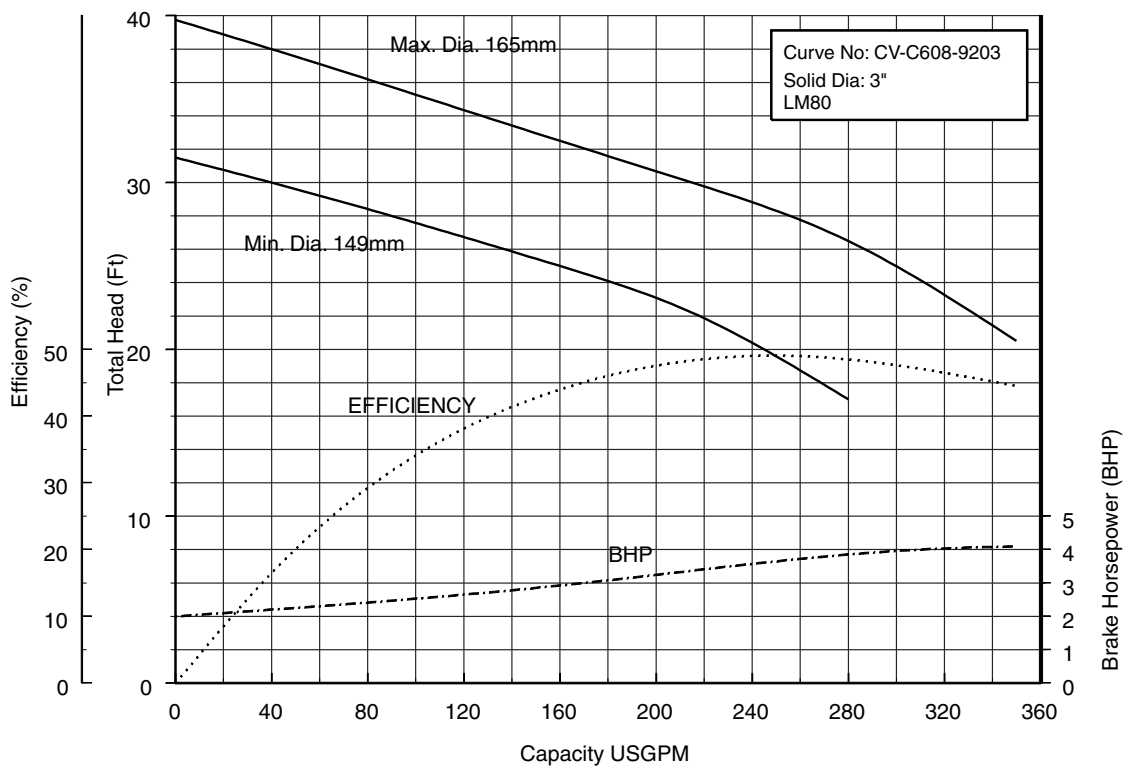
**80CVCF62.2 (3HP) Synchronous Speed: 1800 RPM**

**2, 3 inch Discharge**



**80CVBF63.7 (5HP) Synchronous Speed: 1800 RPM**

**3, 4 inch Discharge**



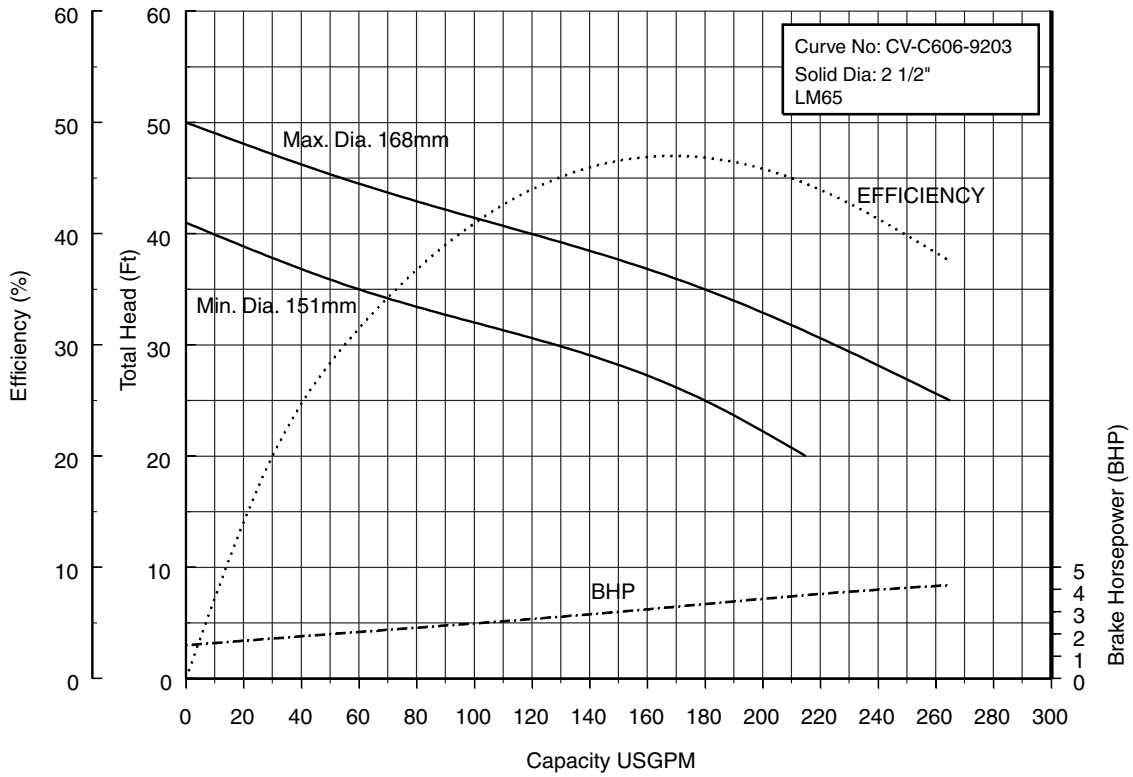
**Model CVFU**

**EBARA PRO Cast Vortex Sewage Pumps**

**Performance Curves**

**80CVCF63.7 (5HP) Synchronous Speed: 1800 RPM**

**2, 3 inch Discharge**

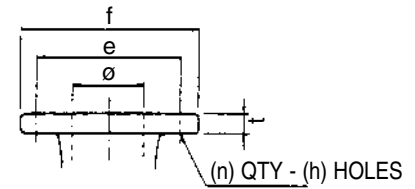
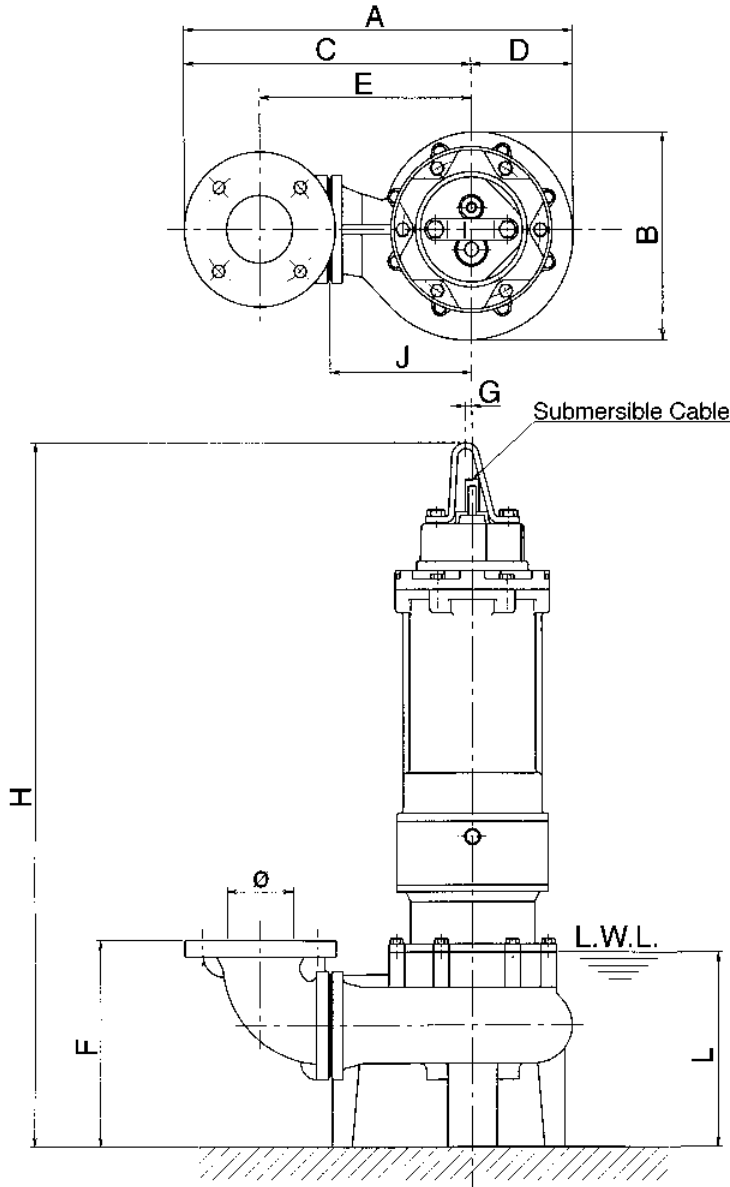


**Model CVFU**

**EBARA PRO Cast Vortex Sewage Pumps**

**Dimensions**

**50CVFU 2 to 3HP**



**Flange (ANSI 125 PSI F.F)**

inch					
$\phi$	e	f	t	n	h
2	4 <sup>3</sup> / <sub>4</sub>	6	5 <sup>5</sup> / <sub>8</sub>	4	3 <sup>3</sup> / <sub>4</sub>

mm					
$\phi$	e	f	t	n	h
50	121	152	16	4	19

**Dimensions: inch**

PHASE	SIZE $\phi$	MODEL	OUTPUT		PUMP & MOTOR								WEIGHT Lb		
			kW	HP	A	B	C	D	E	F	G	H		J	L
THREE	2	50CVFU61.5	1.5	2	15 <sup>3</sup> / <sub>4</sub>	9 <sup>9</sup> / <sub>8</sub>	11 <sup>1</sup> / <sub>16</sub>	4 <sup>11</sup> / <sub>16</sub>	8 <sup>1</sup> / <sub>16</sub>	7 <sup>9</sup> / <sub>16</sub>	5 <sup>5</sup> / <sub>16</sub>	28	5 <sup>7</sup> / <sub>8</sub>	6 <sup>7</sup> / <sub>8</sub>	121
		50CVFU62.2	2.2	3	15 <sup>3</sup> / <sub>4</sub>	9 <sup>9</sup> / <sub>8</sub>	11 <sup>1</sup> / <sub>16</sub>	4 <sup>11</sup> / <sub>16</sub>	8 <sup>1</sup> / <sub>16</sub>	7 <sup>9</sup> / <sub>16</sub>	5 <sup>5</sup> / <sub>16</sub>	29	5 <sup>7</sup> / <sub>8</sub>	6 <sup>7</sup> / <sub>8</sub>	150

**Dimensions: mm**

PHASE	SIZE $\phi$	MODEL	OUTPUT		PUMP & MOTOR								WEIGHT kg		
			kW	HP	A	B	C	D	E	F	G	H		J	L
THREE	50	50CVFU61.5	1.5	2	400	238	281	119	205	185	8	711	150	175	55
		50CVFU62.2	2.2	3	400	238	281	119	205	185	8	737	150	175	68

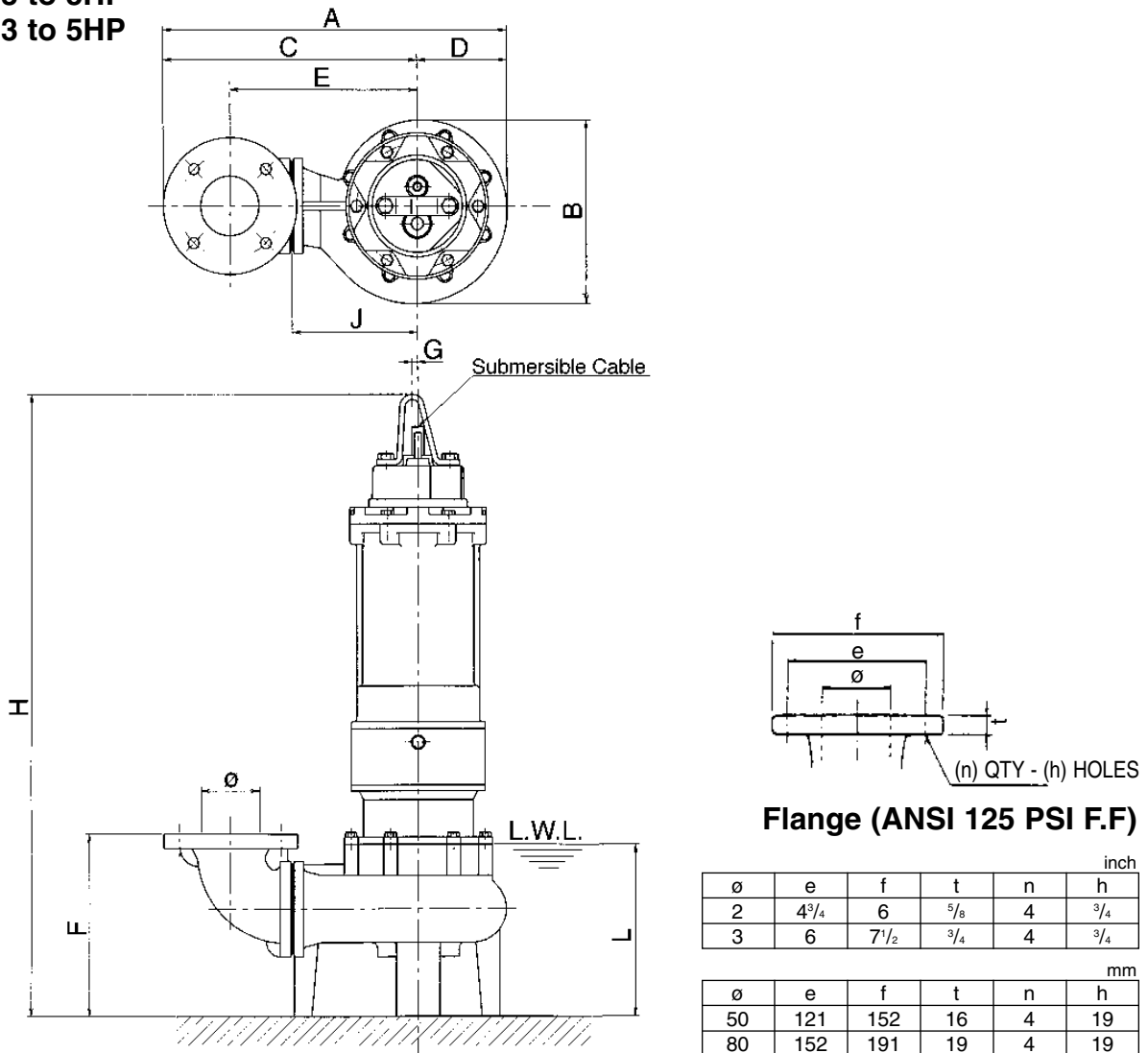


**Model CVFU**

**EBARA PRO Cast Vortex Sewage Pumps**

**Dimensions**

80CVFU 2HP  
 80CVBFU 3 to 5HP  
 80CVCFU 3 to 5HP



**Dimensions: inch**

PHASE	SIZE ø	MODEL	OUTPUT		PUMP & MOTOR										WEIGHT Lb
			kW	HP	A	B	C	D	E	F	G	H	J	L	
THREE	2/3	80CVFU61.5	1.5	2	17 <sup>11</sup> / <sub>16</sub>	9 <sup>3</sup> / <sub>8</sub>	13 <sup>1</sup> / <sub>16</sub>	4 <sup>11</sup> / <sub>16</sub>	9 <sup>1</sup> / <sub>4</sub>	8 <sup>13</sup> / <sub>16</sub>	5 <sup>5</sup> / <sub>16</sub>	29 <sup>7</sup> / <sub>16</sub>	6 <sup>3</sup> / <sub>16</sub>	8 <sup>1</sup> / <sub>16</sub>	130
		80CVCFU62.2	2.2	3	17 <sup>11</sup> / <sub>16</sub>	9 <sup>3</sup> / <sub>8</sub>	13 <sup>1</sup> / <sub>16</sub>	4 <sup>11</sup> / <sub>16</sub>	9 <sup>1</sup> / <sub>4</sub>	8 <sup>13</sup> / <sub>16</sub>	5 <sup>5</sup> / <sub>16</sub>	30 <sup>7</sup> / <sub>16</sub>	6 <sup>5</sup> / <sub>16</sub>	8 <sup>3</sup> / <sub>4</sub>	159
		80CVCFU63.7	3.7	5	17 <sup>11</sup> / <sub>16</sub>	9 <sup>3</sup> / <sub>8</sub>	13 <sup>1</sup> / <sub>16</sub>	4 <sup>11</sup> / <sub>16</sub>	9 <sup>1</sup> / <sub>4</sub>	8 <sup>13</sup> / <sub>16</sub>	5 <sup>5</sup> / <sub>16</sub>	32	6 <sup>5</sup> / <sub>16</sub>	8 <sup>3</sup> / <sub>4</sub>	172
	3/4	80CVBFU62.2	2.2	3	18 <sup>9</sup> / <sub>16</sub>	9 <sup>15</sup> / <sub>16</sub>	13 <sup>5</sup> / <sub>8</sub>	4 <sup>15</sup> / <sub>16</sub>	9 <sup>13</sup> / <sub>16</sub>	10	5 <sup>5</sup> / <sub>16</sub>	32 <sup>5</sup> / <sub>16</sub>	6 <sup>7</sup> / <sub>8</sub>	10 <sup>1</sup> / <sub>4</sub>	176
80CVBFU63.7		3.7	5	18 <sup>9</sup> / <sub>16</sub>	9 <sup>15</sup> / <sub>16</sub>	13 <sup>5</sup> / <sub>8</sub>	4 <sup>15</sup> / <sub>16</sub>	9 <sup>13</sup> / <sub>16</sub>	10	5 <sup>5</sup> / <sub>16</sub>	33 <sup>7</sup> / <sub>8</sub>	6 <sup>7</sup> / <sub>8</sub>	10 <sup>1</sup> / <sub>4</sub>	176	

**Dimensions: mm**

PHASE	SIZE ø	MODEL	OUTPUT		PUMP & MOTOR										WEIGHT kg
			kW	HP	A	B	C	D	E	F	G	H	J	L	
THREE	50/80	80CVFU61.5	1.5	2	450	238	331	119	235	224	8	747	160	205	59
		80CVCFU62.2	2.2	3	450	238	331	119	235	224	8	773	160	210	72
		80CVCFU63.7	3.7	5	450	238	331	119	235	224	8	813	160	210	78
	80/100	80CVBFU62.2	2.2	3	471	252	346	125	250	254	8	820	175	260	80
80CVBFU63.7		3.7	5	471	252	346	125	250	254	8	860	175	260	80	

**\*Note:** All dimensions are based on 3" discharge.

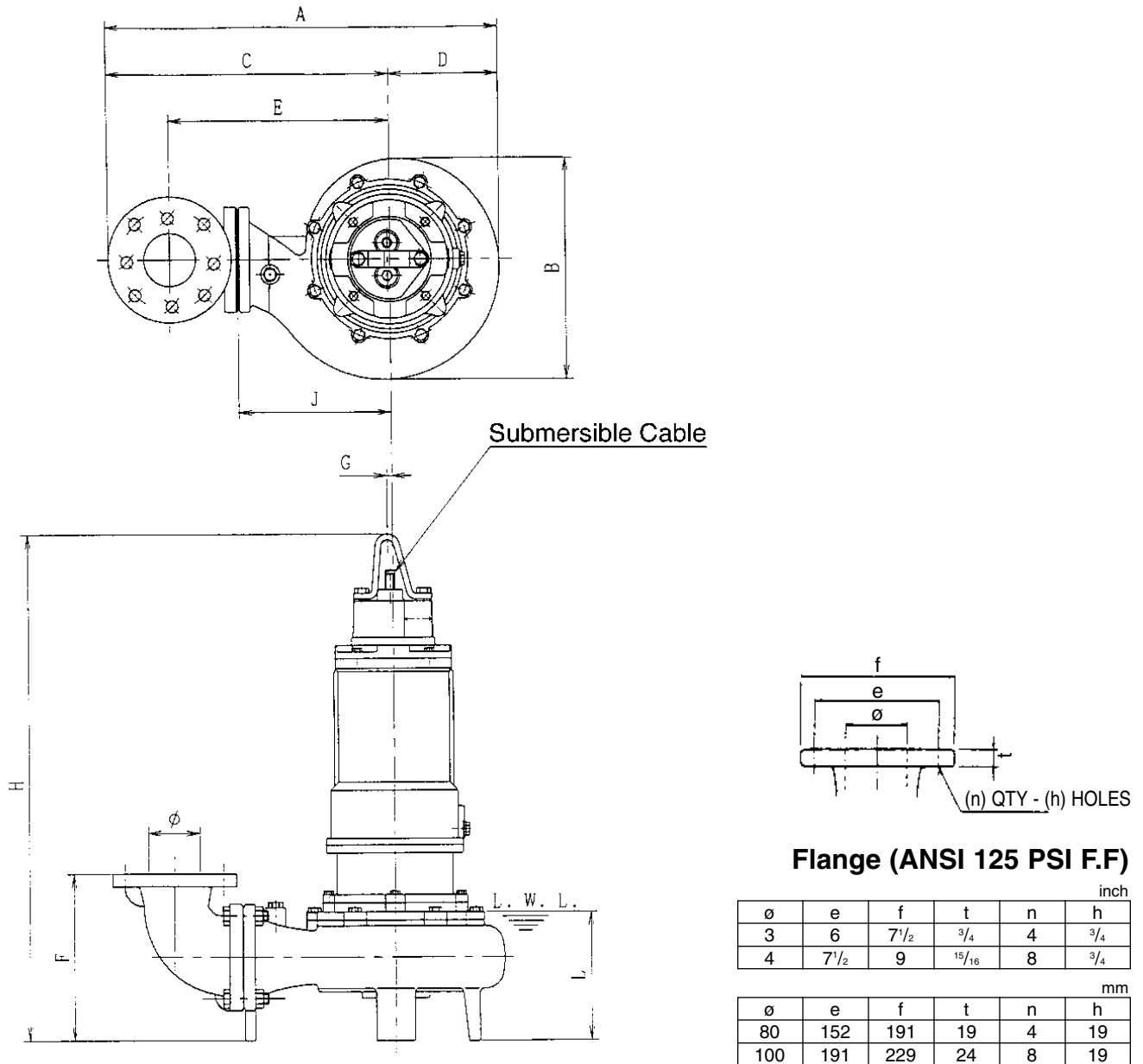


**Model CVFU**

**EBARA PRO Cast Vortex Sewage Pumps**

**Dimensions**

**100CVFU 5HP**



**Dimensions: inch**

PHASE	SIZE ø	MODEL	OUTPUT		PUMP & MOTOR										WEIGHT Lb
			kW	HP	A	B	C	D	E	F	G	H	J	L	
THREE	3/4	100CVFU63.7	3.7	5	23 <sup>3</sup> / <sub>16</sub>	12 <sup>1</sup> / <sub>8</sub>	17 <sup>1</sup> / <sub>8</sub>	6 <sup>1</sup> / <sub>16</sub>	12 <sup>5</sup> / <sub>8</sub>	12	<sup>5</sup> / <sub>16</sub>	36 <sup>1</sup> / <sub>16</sub>	8 <sup>7</sup> / <sub>16</sub>	12 <sup>3</sup> / <sub>8</sub>	209

**Dimensions: mm**

PHASE	SIZE ø	MODEL	OUTPUT		PUMP & MOTOR										WEIGHT kg
			kW	HP	A	B	C	D	E	F	G	H	J	L	
THREE	80/100	100CVFU63.7	3.7	5	589	308	435	154	320	305	8	916	215	315	95

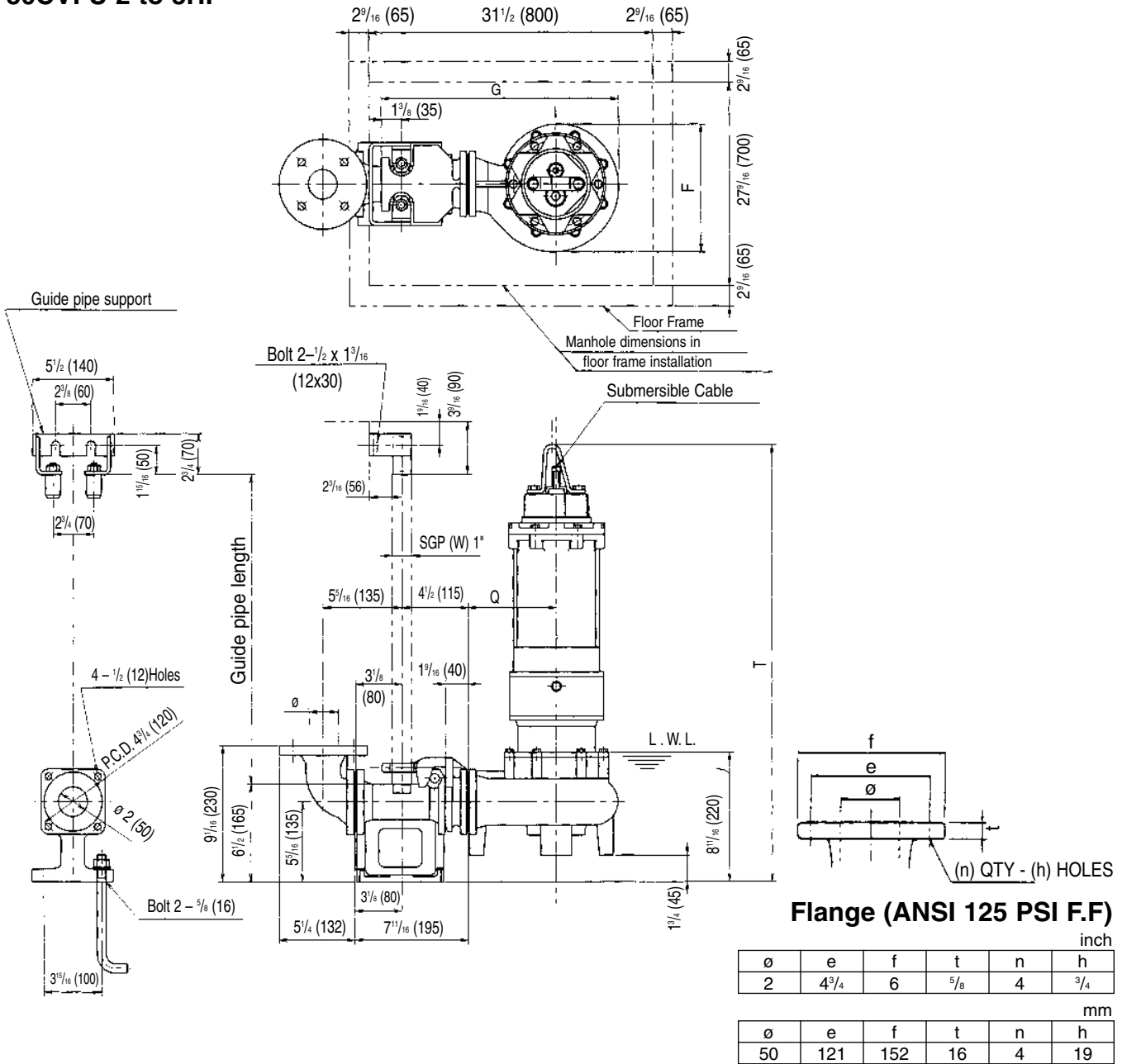


**Model CVFU**

**EBARA PRO Cast Vortex Sewage Pumps**

**Dimensions**

**Model CVFU with Quick Discharge Connector  
50CVFU 2 to 3HP**



**Dimensions: inch**

PHASE	SIZE ø	MODEL	OUTPUT		Q.D.C. MODEL	PUMP & MOTOR				WEIGHT Lb	
			kW	HP		F	G	Q	T	PUMP	Q.D.C.
THREE	2	50CVFU61.5	1.5	2	LM50	9 <sup>3</sup> / <sub>8</sub>	16 <sup>1</sup> / <sub>4</sub>	5 <sup>7</sup> / <sub>8</sub>	29 <sup>3</sup> / <sub>4</sub>	121	24
		50CVFU62.2	2.2	3	LM50	9 <sup>3</sup> / <sub>8</sub>	15 <sup>1</sup> / <sub>8</sub>	5 <sup>7</sup> / <sub>8</sub>	30 <sup>13</sup> / <sub>16</sub>	150	24

**Dimensions: mm**

PHASE	SIZE ø	MODEL	OUTPUT		Q.D.C. MODEL	PUMP & MOTOR				WEIGHT kg	
			kW	HP		F	G	Q	T	PUMP	Q.D.C.
THREE	50	50CVFU61.5	1.5	2	LM50	238	413	150	756	55	11
		50CVFU62.2	2.2	3	LM50	238	384	150	782	68	11



**Model CVFU**

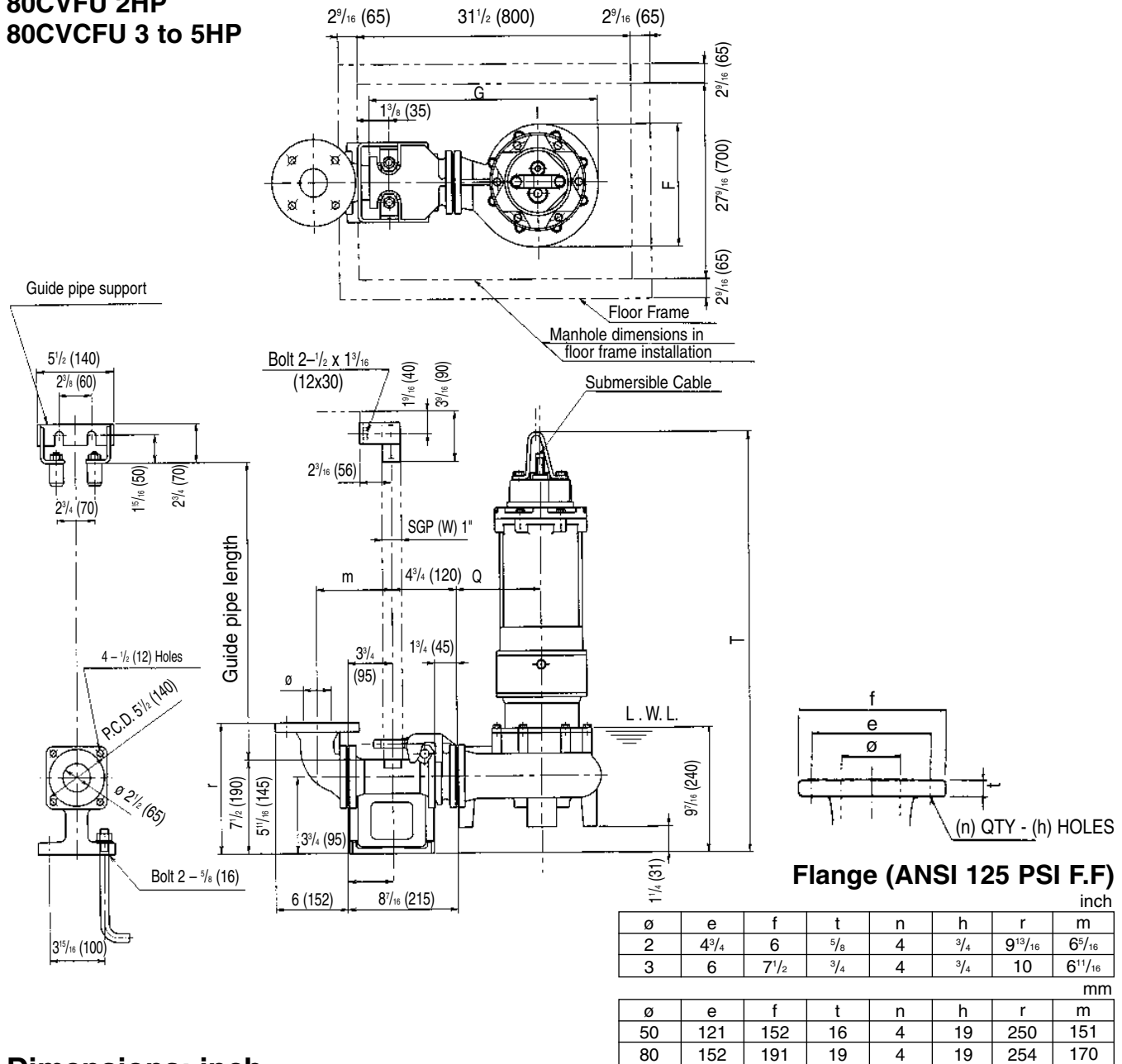
**EBARA PRO Cast Vortex Sewage Pumps**

**Dimensions**

**Model CVFU with Quick Discharge Connector**

**80CVFU 2HP**

**80CVCFU 3 to 5HP**



**Dimensions: inch**

PHASE	SIZE ø	MODEL	OUTPUT		Q.D.C. MODEL	PUMP & MOTOR				WEIGHT Lb	
			kW	HP		F	G	Q	T	PUMP	Q.D.C.
THREE	2/3	80CVFU61.5	1.5	2	LM65	9 <sup>3</sup> / <sub>8</sub>	16 <sup>7</sup> / <sub>8</sub>	6 <sup>5</sup> / <sub>16</sub>	30 <sup>5</sup> / <sub>8</sub>	130	31
		80CVCFU62.2	2.2	3	LM65	9 <sup>3</sup> / <sub>8</sub>	16 <sup>7</sup> / <sub>8</sub>	6 <sup>5</sup> / <sub>16</sub>	31 <sup>11</sup> / <sub>16</sub>	159	31
		80CVCFU63.7	3.7	5	LM65	9 <sup>3</sup> / <sub>8</sub>	19	6 <sup>5</sup> / <sub>16</sub>	33 <sup>3</sup> / <sub>4</sub>	172	31

**Dimensions: mm**

PHASE	SIZE ø	MODEL	OUTPUT		Q.D.C. MODEL	PUMP & MOTOR				WEIGHT kg	
			kW	HP		F	G	Q	T	PUMP	Q.D.C.
THREE	50/80	80CVFU61.5	1.5	2	LM65	238	428	160	778	59	14
		80CVCFU62.2	2.2	3	LM65	238	428	160	805	72	14
		80CVCFU63.7	3.7	5	LM65	238	482	160	845	78	14

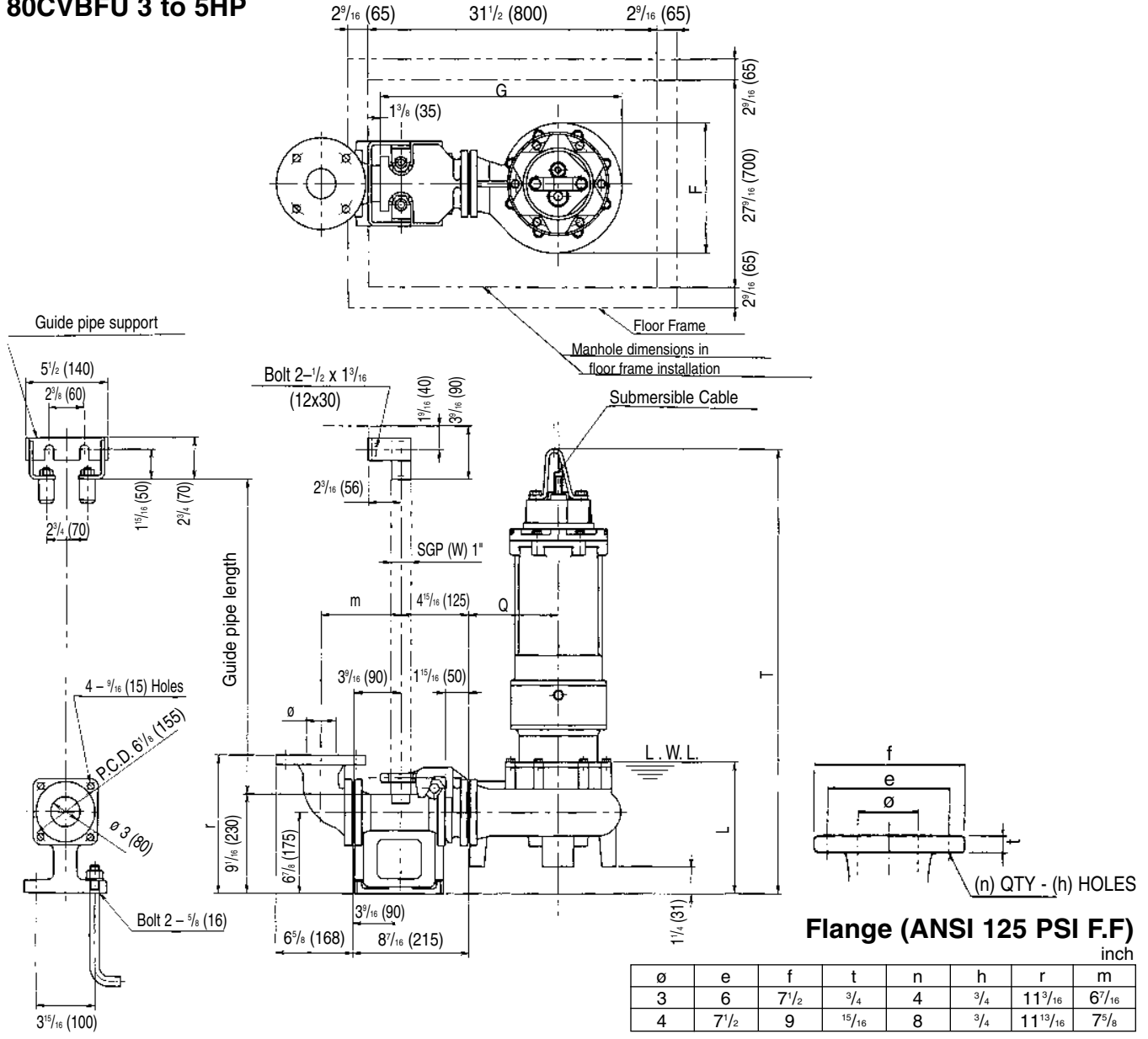


**Model CVFU**

**EBARA PRO Cast Vortex Sewage Pumps**

**Dimensions**

**Model CVFU with Quick Discharge Connector  
80CVBFU 3 to 5HP**



**Flange (ANSI 125 PSI F.F)**

inch	ø	e	f	t	n	h	r	m
	3	6	7 <sup>1</sup> / <sub>2</sub>	3 <sup>3</sup> / <sub>4</sub>	4	3 <sup>3</sup> / <sub>4</sub>	11 <sup>3</sup> / <sub>16</sub>	6 <sup>7</sup> / <sub>16</sub>
	4	7 <sup>1</sup> / <sub>2</sub>	9	1 <sup>5</sup> / <sub>16</sub>	8	3 <sup>3</sup> / <sub>4</sub>	11 <sup>13</sup> / <sub>16</sub>	7 <sup>9</sup> / <sub>8</sub>
mm	ø	e	f	t	n	h	r	m
	80	152	191	19	4	19	284	164
	100	191	229	24	8	19	300	194

**Dimensions: inch**

PHASE	SIZE ø	MODEL	OUTPUT		Q.D.C. MODEL	PUMP & MOTOR					WEIGHT Lb	
			kW	HP		F	G	L	Q	T	PUMP	Q.D.C.
THREE	3/4	80CVBFU62.2	2.2	3	LM80	9 <sup>15</sup> / <sub>16</sub>	18 <sup>1</sup> / <sub>8</sub>	11 <sup>7</sup> / <sub>16</sub>	6 <sup>7</sup> / <sub>8</sub>	33 <sup>1</sup> / <sub>2</sub>	176	37
		80CVBFU63.7	3.7	5	LM80	9 <sup>15</sup> / <sub>16</sub>	18 <sup>1</sup> / <sub>8</sub>	11 <sup>7</sup> / <sub>16</sub>	6 <sup>7</sup> / <sub>8</sub>	35 <sup>1</sup> / <sub>16</sub>	176	37

**Dimensions: mm**

PHASE	SIZE ø	MODEL	OUTPUT		Q.D.C. MODEL	PUMP & MOTOR					WEIGHT kg	
			kW	HP		F	G	L	Q	T	PUMP	Q.D.C.
THREE	80/100	80CVBFU62.2	2.2	3	LM80	252	460	290	175	851	80	17
		80CVBFU63.7	3.7	5	LM80	252	460	290	175	891	80	17

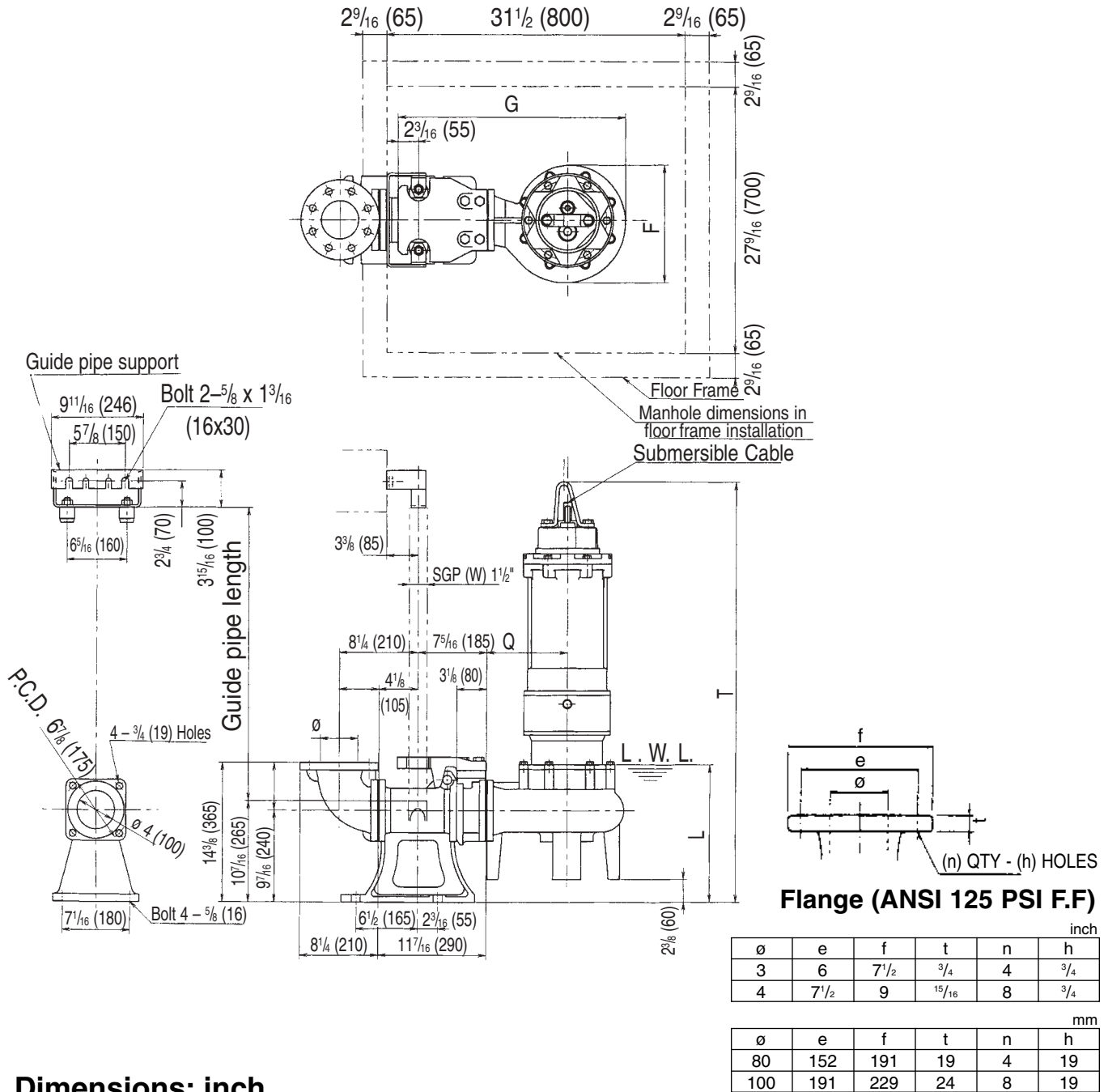


**Model CVFU**

**EBARA PRO Cast Vortex Sewage Pumps**

**Dimensions**

**Model DVFU with Quick Discharge Connector  
100CVFU 5HP**



**Dimensions: inch**

PHASE	SIZE ø	MODEL	OUTPUT		Q.D.C. MODEL	PUMP & MOTOR					WEIGHT Lb	
			KW	HP		F	G	L	Q	T	PUMP	Q.D.C.
THREE	3/4	100CVFU63.7	3.7	5	LL100	12 <sup>1</sup> / <sub>8</sub>	24	14 <sup>3</sup> / <sub>4</sub>	8 <sup>7</sup> / <sub>16</sub>	38 <sup>7</sup> / <sub>16</sub>	209	101

**Dimensions: mm**

PHASE	SIZE ø	MODEL	OUTPUT		Q.D.C. MODEL	PUMP & MOTOR					WEIGHT kg	
			KW	HP		F	G	L	Q	T	PUMP	Q.D.C.
THREE	80/100	100CVFU63.7	3.7	5	LL100	308	609	375	215	976	95	46

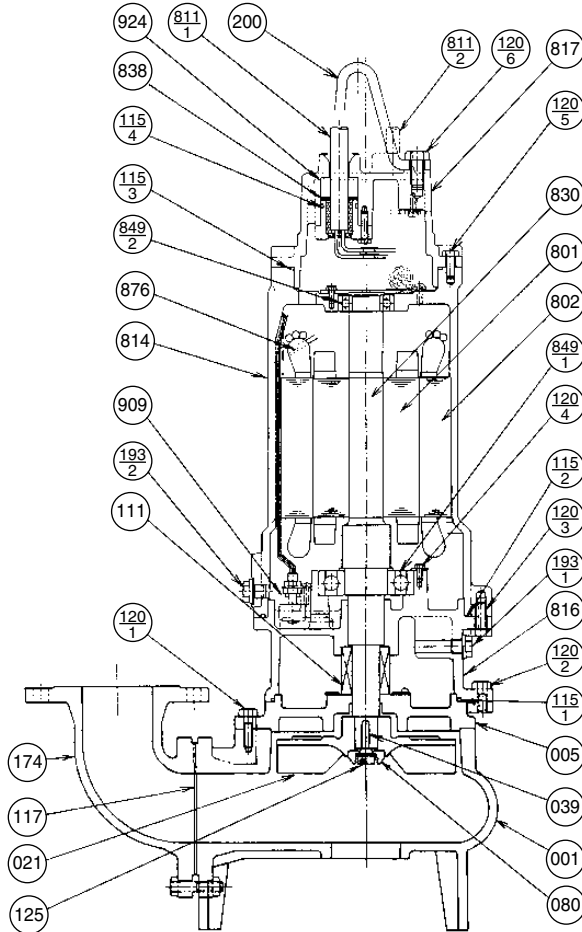


**Model CVFU**

**EBARA PRO Cast Vortex Sewage Pumps**

**Sectional View**

**2 to 5HP**



PART NO.	PART NAME	MATERIAL	ASTM, AISI CODE	NO. FOR 1 UNIT
001	CASING	CAST IRON	A48 Class 30	1
005	INTERMEDIATE CASING	CAST IRON	A48 Class 30	1
†021	IMPELLER	CAST IRON	A48 Class 30	1
039	KEY	420 STAINLESS	AISI420	1
080	BUSHING	STEEL	A283 Grade D	1
†111	MECHANICAL SEAL	—		1 SET
†115-1	O-RING	RUBBER (NBR)		1
†115-2	O-RING	RUBBER (NBR)		1
†115-3	O-RING	RUBBER (NBR)		1
†115-4	O-RING	RUBBER (NBR)		2
†117	GASKET			1
120-1	BOLT	304 STAINLESS	AISI304	4
120-2	BOLT	304 STAINLESS	AISI304	4
120-3	BOLT	304 STAINLESS	AISI304	4
120-4	BOLT	304 STAINLESS	AISI304	3
120-5	BOLT	304 STAINLESS	AISI304	4
120-6	BOLT	304 STAINLESS	AISI304	2
125	BOLT	304 STAINLESS	AISI304	1

PART NO.	PART NAME	MATERIAL	ASTM, AISI CODE	NO. FOR 1 UNIT
174	DISCHARGE ELBOW	CAST IRON	A48 Class 30	1
193-1	PLUG	304 STAINLESS	AISI304	1
193-2	PLUG	304 STAINLESS	AISI304	1
200	LIFTING HANGER	STEEL	A283 Grade D	1
801	ROTOR	—		1
802	STATOR	—		1
811-1	POWER CABLE	—		1
811-2	CONTROL CABLE	—		1
814	MOTOR COVER	CAST IRON	A48 Class 30	1
816	BRACKET	CAST IRON	A48 Class 30	1
817	BRACKET	CAST IRON	A48 Class 30	1
830	SHAFT	403 STAINLESS	AISI403	1
838	WASHER	304 STAINLESS	AISI304	2
†849-1	BALL BEARING	—		1
†849-2	BALL BEARING	—		1
876	MOTOR PROTECTOR	—		3
909	LEAKAGE DETECTOR	—		1
924	PACKING	RUBBER (NBR)		2

Motors are purchased as a complete unit

†: Recommended spare parts



**CALL 1-800-577-8111 FOR SALES AND SUPPORT**