

**Contents**

---

**Model**

50CVU6.75S  
50CVU6.75  
50CVU61.5S  
50CVU61.5  
50CVU62.2S  
80CVU61.5S  
80CVU61.5  
80CVCU62.2S  
80CVBU62.2S  
80CVBU63.7S  
80CVCU63.7S  
100CVU63.7S

---

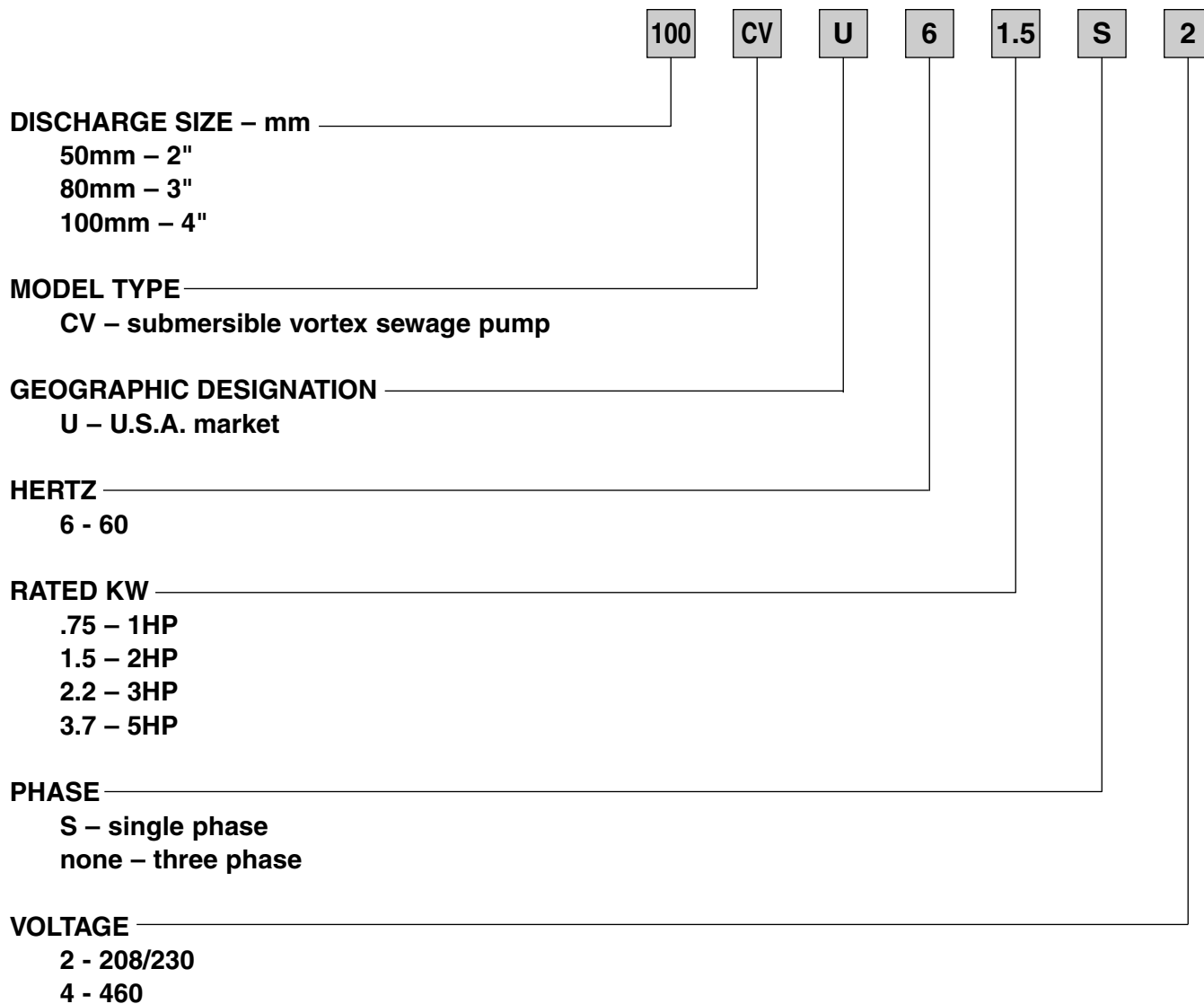
<b>Section</b>	<b>Page</b>
Specifications	1502
Selection Chart	1503
Performance Curves	1504
Dimensions	1509
Sectional View	1513
QDC Information	1900
Motor Data	2000
motor electrical specifications	
cable data	
wiring diagrams	
motor electrical data	

---

Model CVU

EBARA PRO Cast Vortex Sewage Pumps

Model Designation



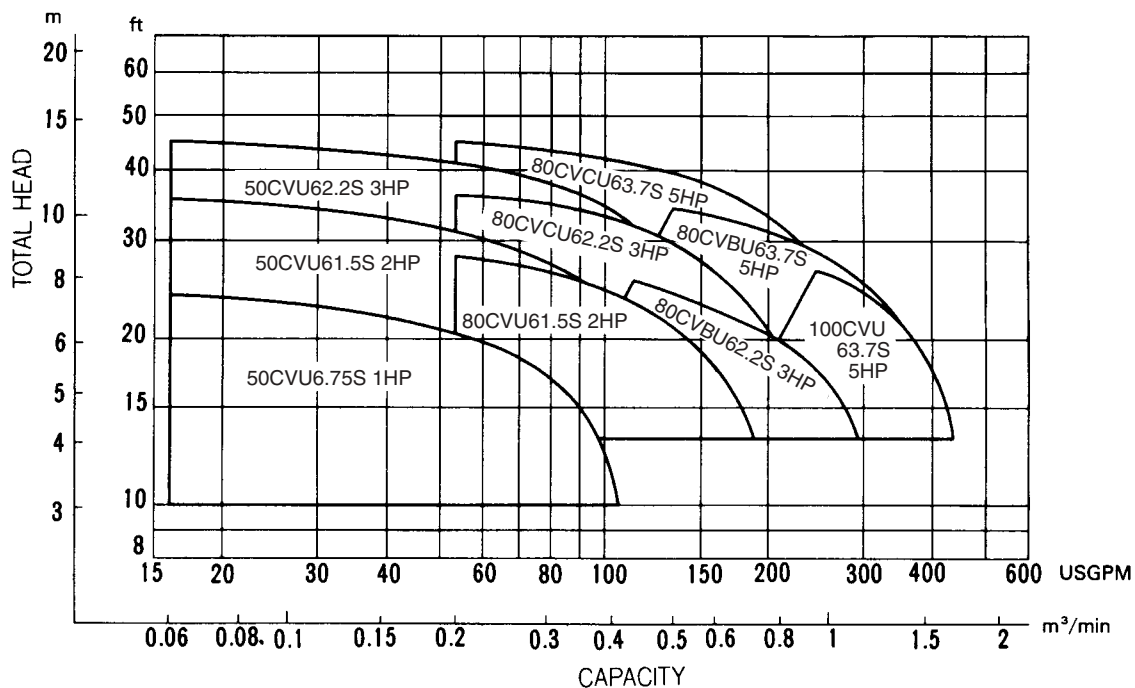
### Specifications

	Standard	Optional
Size	2, 3, 4 inch	
Range of HP	1 to 2 HP Three Phase 1 to 5 HP Single Phase	
Range of Performance	Capacity 16 to 430 GPM Head 9 to 66 feet	
<b>Limitation</b> Maximum Water Temperature	104°F (40°C)	
<b>Synchronous Speed</b>	1800 RPM	
<b>Materials</b> Casing Impeller Shaft Motor Frame Fastener	Cast Iron Cast Iron 403 Stainless Steel Cast Iron 304 Stainless Steel	
<b>Mechanical Seal</b> Material – Upper Side Material – Lower Side Impeller Type Bearing Motor Single Phase Three Phase Service Factor Motor Protection Single Phase Three Phase Accessories	Double Mechanical Seal Carbon/Ceramic Silicon Carbide/Silicon Carbide Recessed Vortex Impeller Prelubricated Ball Bearing Air-filled, Insulation Class F 208/230V 208/230/460V 1.15  Built-in Auto Cut - overload, no load, out of phase, and single phasing protection Submersible cable 33 ft.	66 ft. QDC System



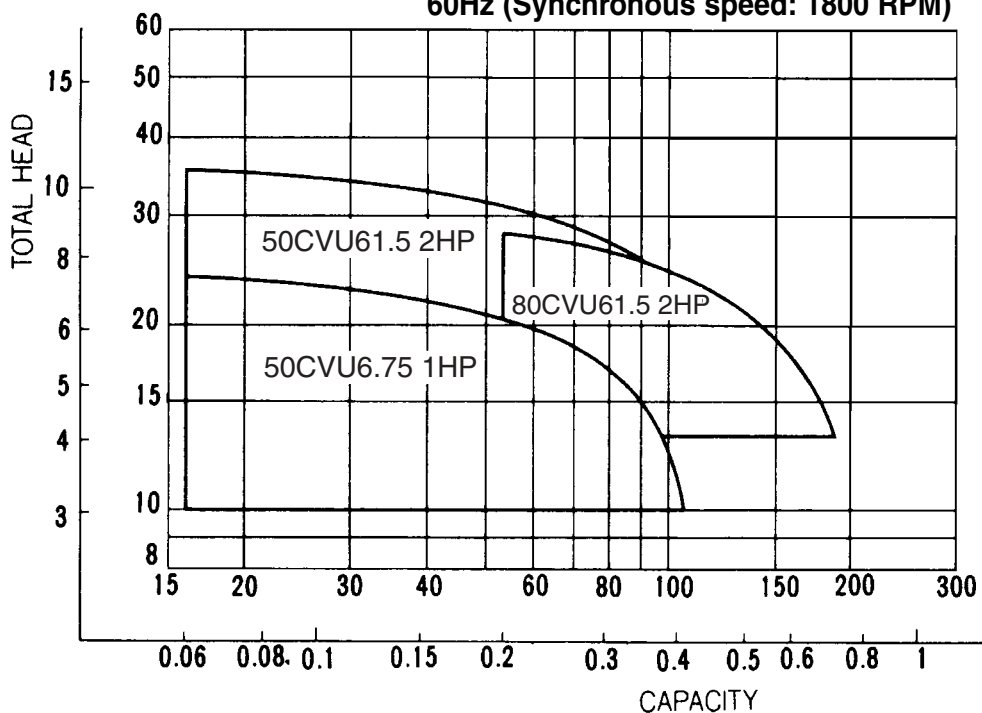
## Single Phase

60Hz (Synchronous speed: 1800 RPM)



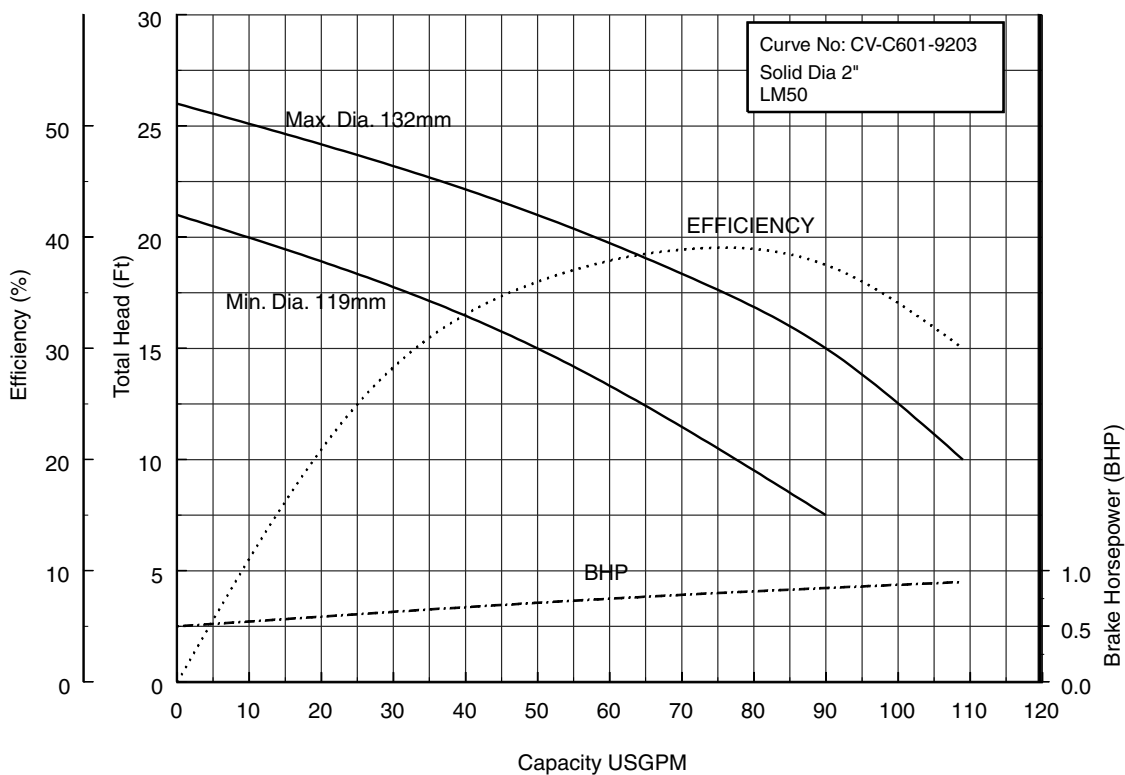
## Three Phase

60Hz (Synchronous speed: 1800 RPM)



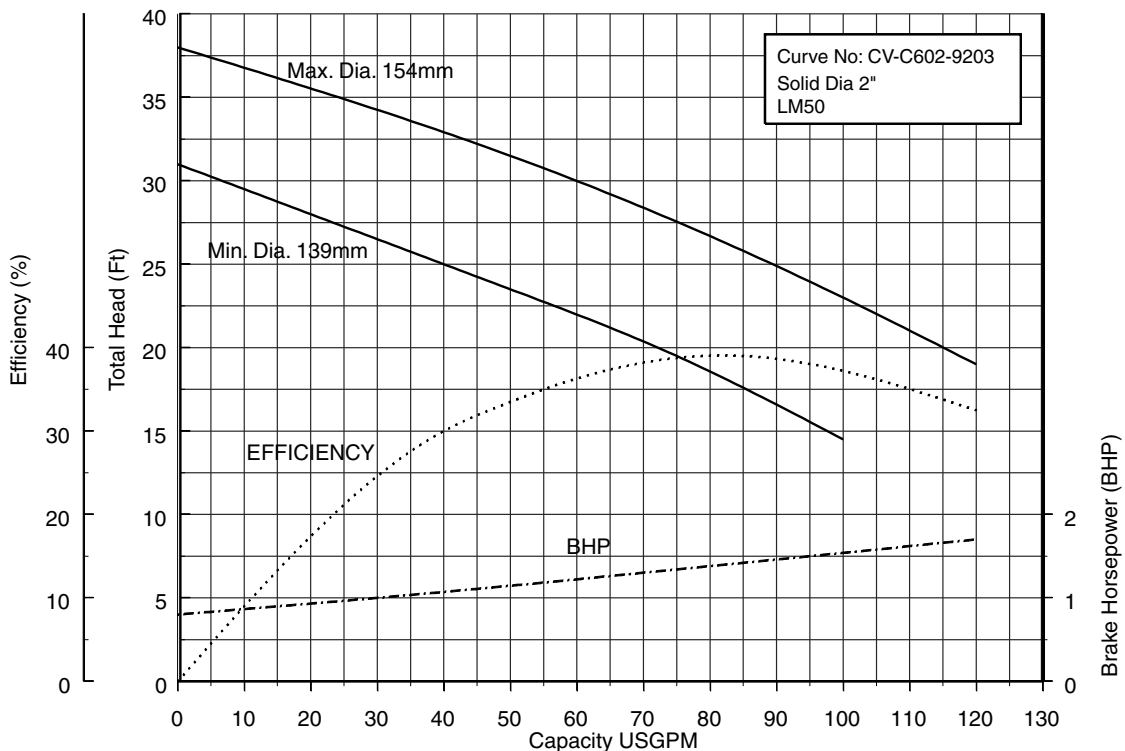
**50CV6.75S 50CV6.75 (1HP) Synchronous Speed: 1800 RPM**

**2 inch Discharge**



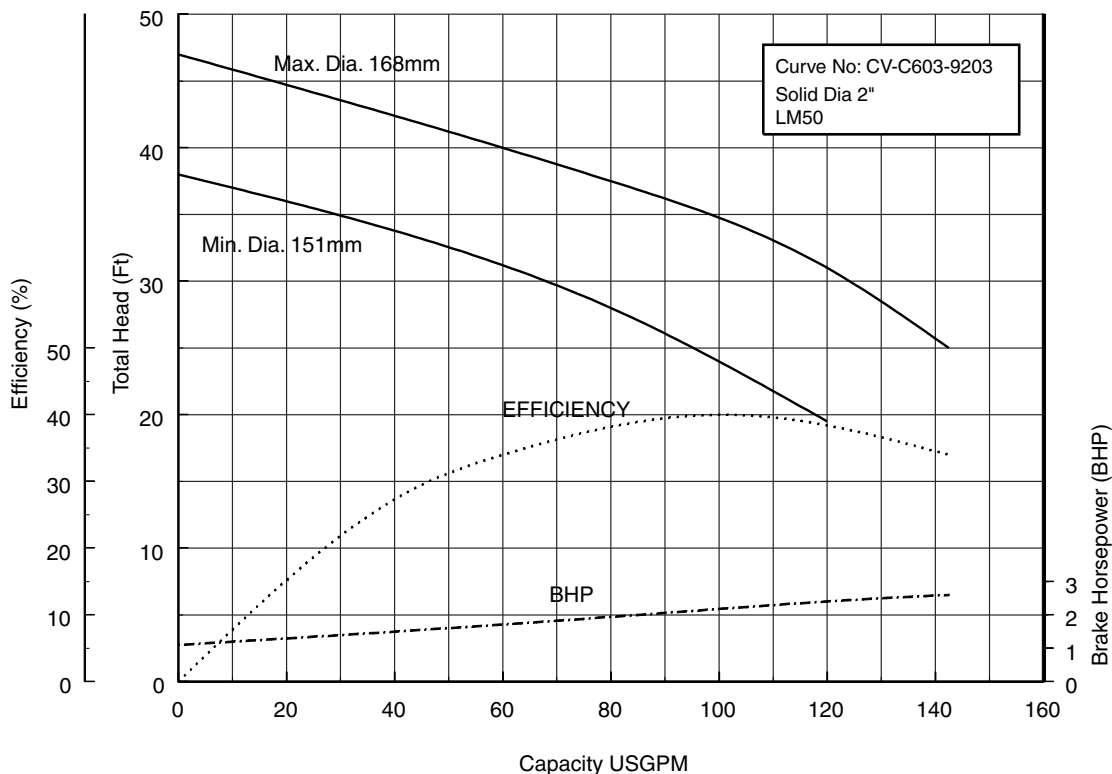
**50CV61.5S 50CV61.5 (2HP) Synchronous Speed: 1800 RPM**

**2 inch Discharge**



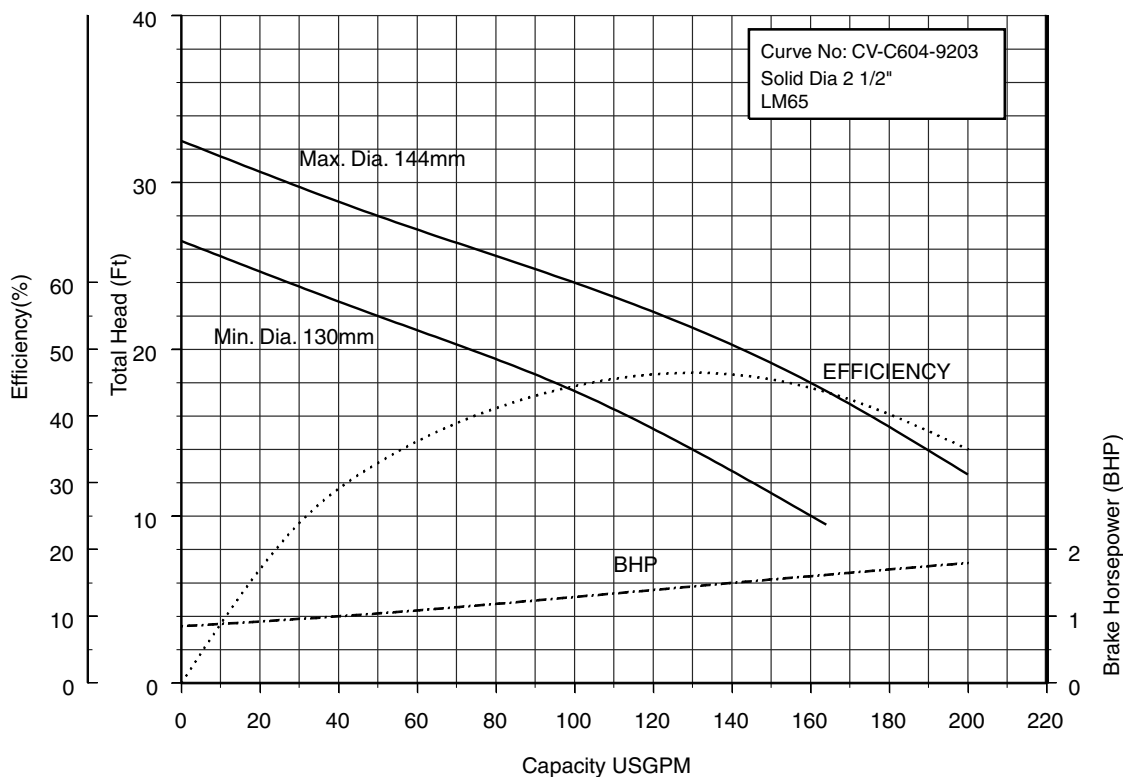
**50CV62.2S (3HP) Synchronous Speed: 1800 RPM**

**2 inch Discharge**



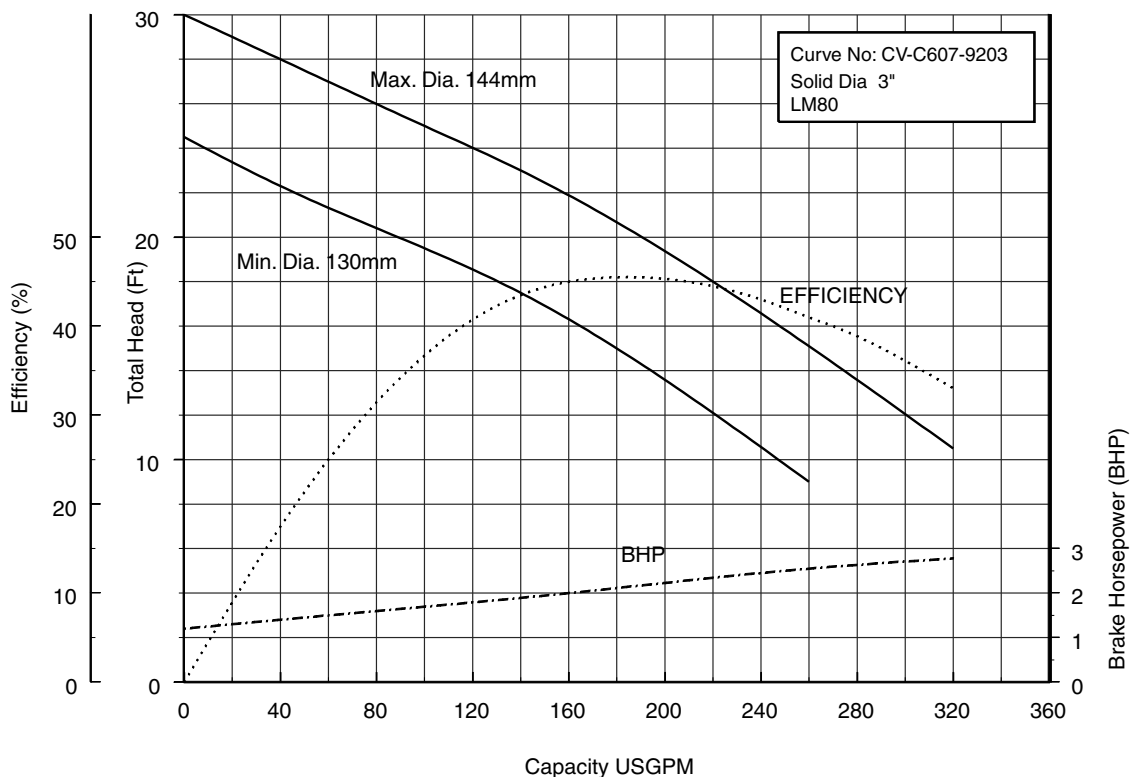
**80CV61.5S 80CV61.5 (2HP) Synchronous Speed: 1800 RPM**

**2, 3 inch Discharge**



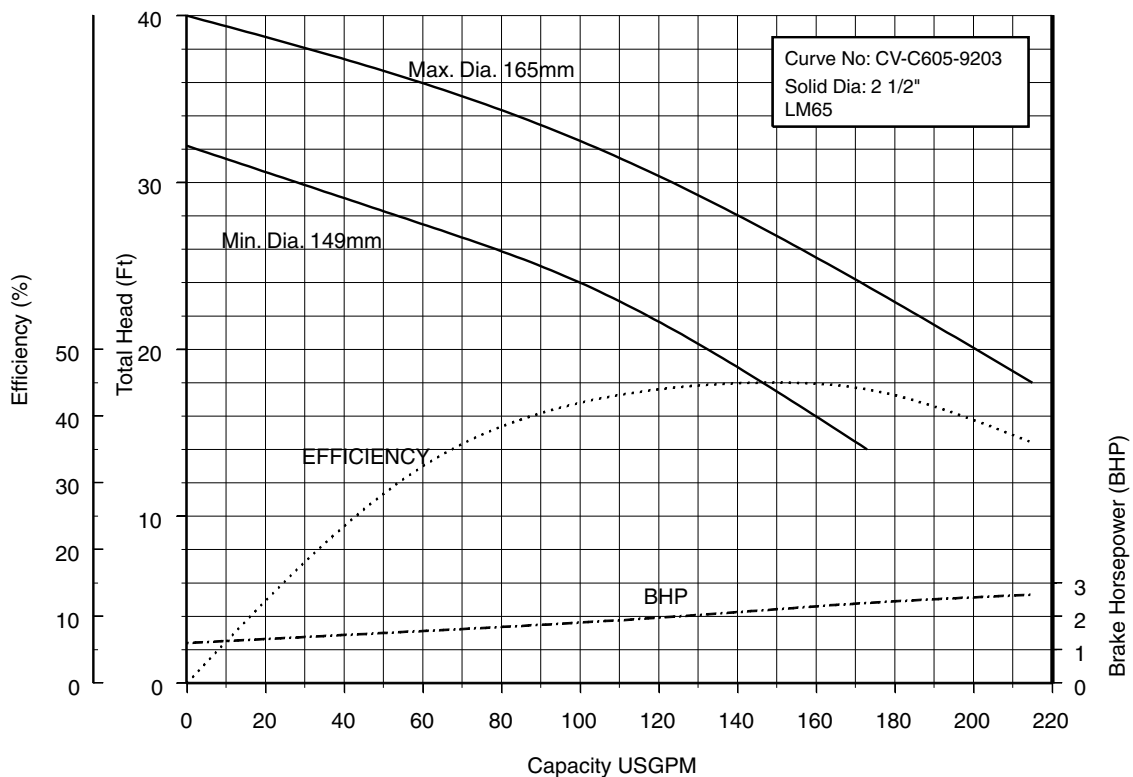
**80CVB62.2S (3HP) Synchronous Speed: 1800 RPM**

**3, 4 inch Discharge**



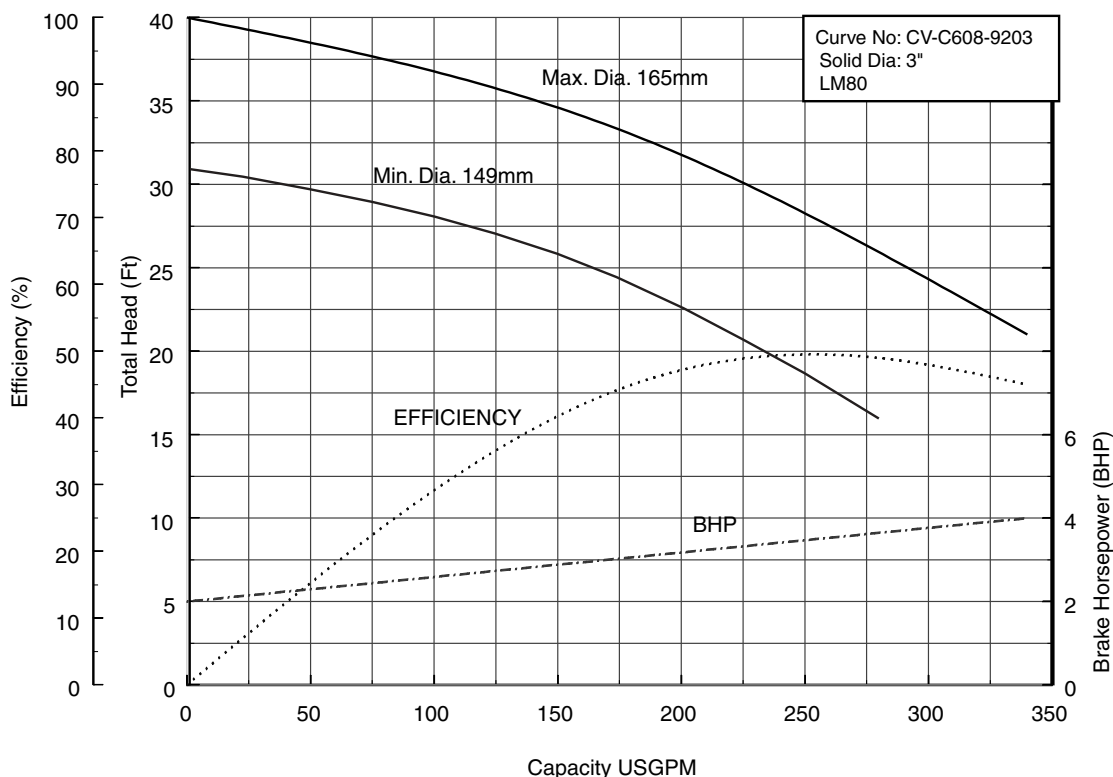
**80CVC62.2S (3HP) Synchronous Speed: 1800 RPM**

**2, 3 inch Discharge**



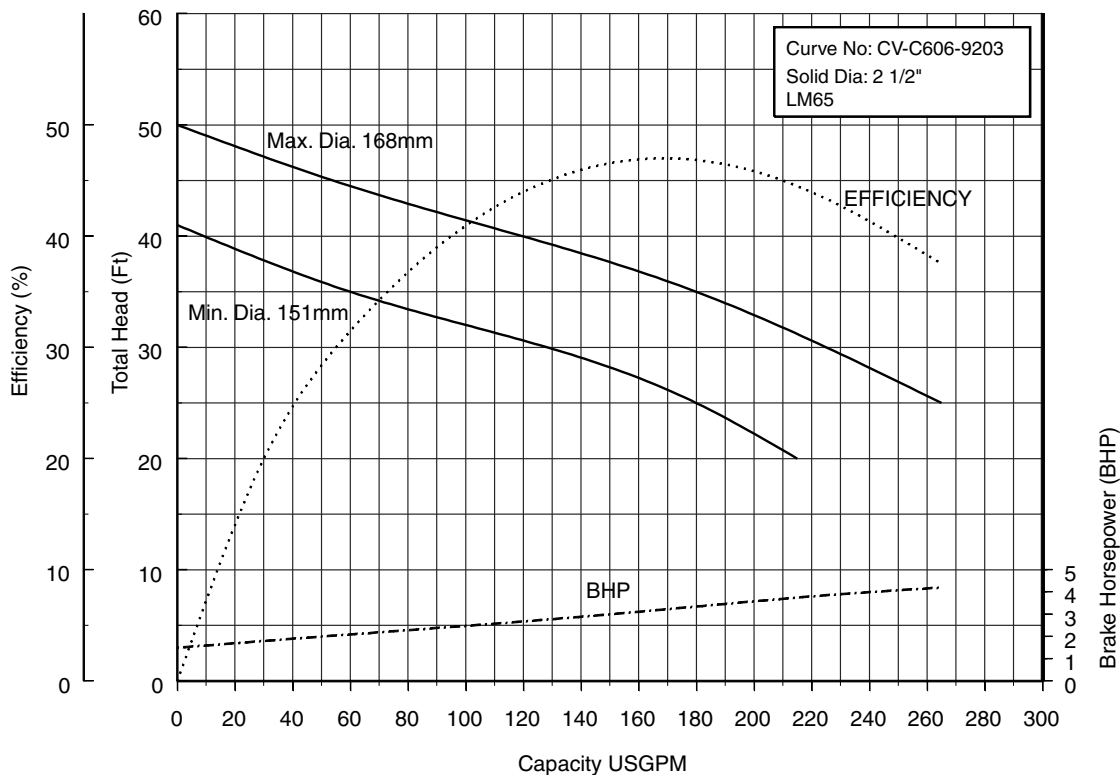
**80CVB63.7S (5HP) Synchronous Speed: 1800 RPM**

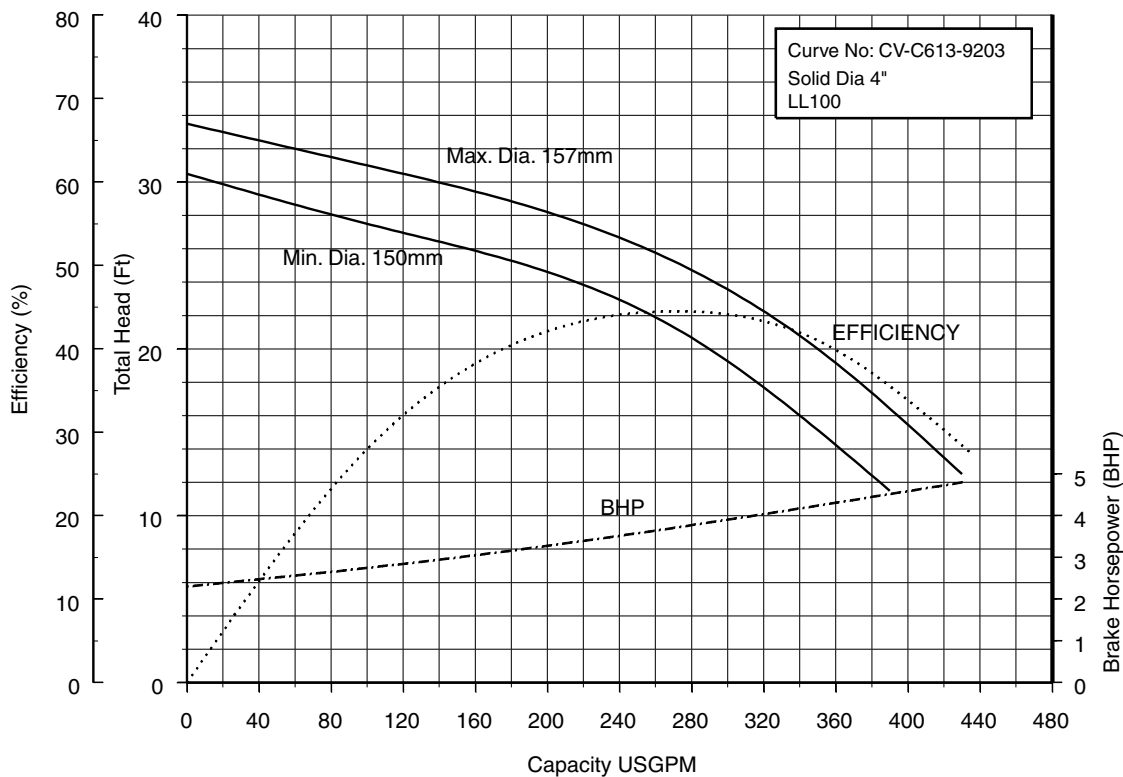
**3, 4 inch Discharge**



**80CVC63.7S (5HP) Synchronous Speed: 1800 RPM**

**2, 3 inch Discharge**





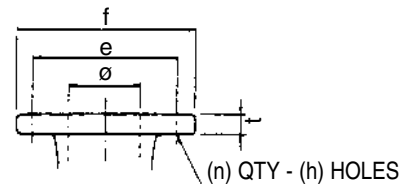
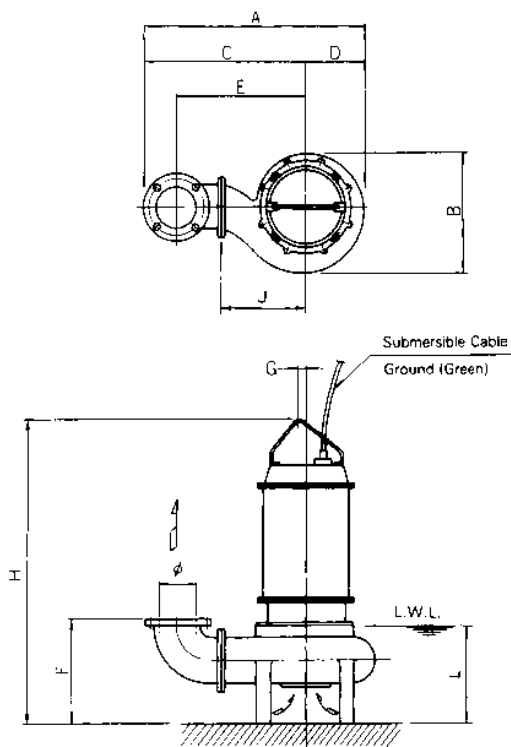
## Model CVU

## EBARA PRO Cast Vortex Sewage Pumps

### Dimensions

#### Model CVU, Single and Three Phase

50CVU, 1 to 3HP  
80CVU, 2 to 5 HP  
100CVU, 5HP



#### Flange (ANSI 125 PSI F.F)

inch					
ø	e	f	t	n	h
2	4 <sup>3/4</sup>	6	5 <sup>5/8</sup>	4	3 <sup>3/4</sup>
3	6	7 <sup>1/2</sup>	3 <sup>3/4</sup>	4	3 <sup>3/4</sup>
4	7 <sup>1/2</sup>	9	1 <sup>5/16</sup>	8	3 <sup>3/4</sup>

mm					
ø	e	f	t	n	h
50	121	152	16	4	19
80	152	191	19	4	19
100	191	229	24	8	19

#### Dimensions: inch

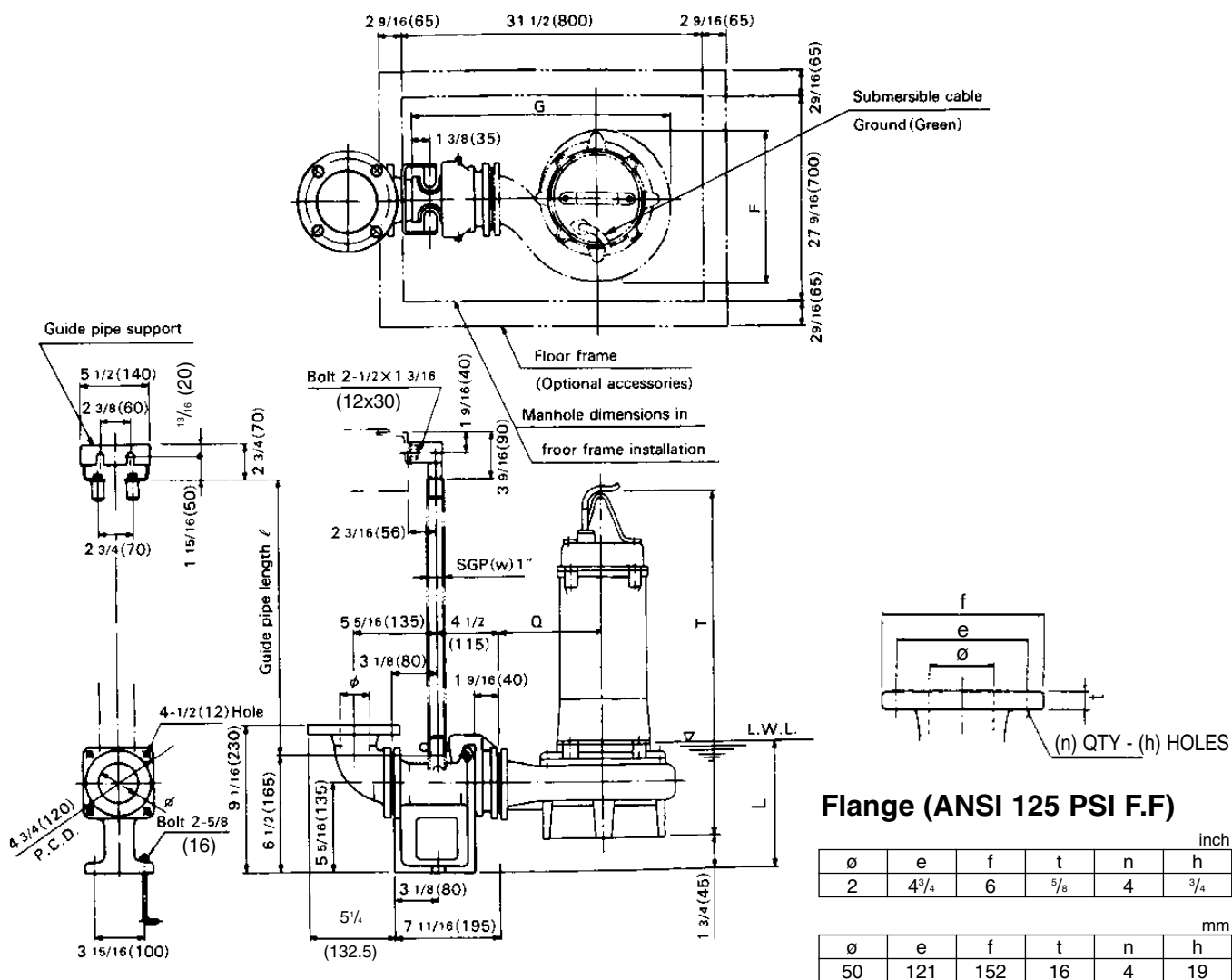
PHASE	SIZE ø	MODEL	OUTPUT		PUMP & MOTOR										WEIGHT Lb
			KW	HP	A	B	C	D	E	F	G	H	J	L	
SINGLE	2	50CVU6.75S	0.75	1	13 <sup>15/16</sup>	7 <sup>11/16</sup>	10 <sup>9/16</sup>	3 <sup>7/8</sup>	7 <sup>1/16</sup>	7 <sup>5/16</sup>	1 <sup>3/16</sup>	22 <sup>5/16</sup>	4 <sup>15/16</sup>	6 <sup>1/2</sup>	57
		50CVU61.5S	1.5	2	15 <sup>3/4</sup>	9 <sup>9/8</sup>	11 <sup>1/16</sup>	4 <sup>11/16</sup>	8 <sup>1/16</sup>	7 <sup>5/16</sup>	1 <sup>3/16</sup>	23	5 <sup>7/8</sup>	6 <sup>5/8</sup>	86
		50CVU62.2S	2.2	3	15 <sup>3/4</sup>	9 <sup>9/8</sup>	11 <sup>1/16</sup>	4 <sup>11/16</sup>	8 <sup>1/16</sup>	7 <sup>5/16</sup>	1 <sup>3/16</sup>	27 <sup>3/16</sup>	5 <sup>7/8</sup>	6 <sup>7/8</sup>	110
	2/3	80CVU61.5S	1.5	2	17 <sup>11/16</sup>	8 <sup>7/8</sup>	13 <sup>3/16</sup>	4 <sup>11/16</sup>	9 <sup>1/4</sup>	8 <sup>13/16</sup>	1 <sup>3/16</sup>	24 <sup>7/16</sup>	6 <sup>5/16</sup>	8 <sup>1/16</sup>	95
		80CVUCU62.2S	2.2	3	17 <sup>11/16</sup>	8 <sup>7/8</sup>	13 <sup>3/16</sup>	4 <sup>11/16</sup>	9 <sup>1/4</sup>	8 <sup>13/16</sup>	1 <sup>3/16</sup>	28 <sup>9/16</sup>	6 <sup>5/16</sup>	8 <sup>5/16</sup>	119
		80CVUCU63.7S	3.7	5	17 <sup>11/16</sup>	8 <sup>7/8</sup>	13 <sup>3/16</sup>	4 <sup>11/16</sup>	9 <sup>1/4</sup>	8 <sup>13/16</sup>	1 <sup>3/16</sup>	30 <sup>3/8</sup>	6 <sup>5/16</sup>	8 <sup>5/16</sup>	139
	3/4	80CVBU62.2S	2.2	3	18 <sup>9/16</sup>	9 <sup>15/16</sup>	13 <sup>5/8</sup>	4 <sup>15/16</sup>	9 <sup>13/16</sup>	10	1	30 <sup>7/16</sup>	6 <sup>7/8</sup>	10 <sup>9/16</sup>	137
		80CVBU63.7S	3.7	5	18 <sup>9/16</sup>	9 <sup>15/16</sup>	13 <sup>5/8</sup>	4 <sup>15/16</sup>	9 <sup>13/16</sup>	10	1	32 <sup>1/4</sup>	6 <sup>7/8</sup>	10 <sup>9/16</sup>	143
		100CVU63.7S	3.7	5	23 <sup>3/16</sup>	12 <sup>1/8</sup>	17 <sup>1/8</sup>	6 <sup>1/16</sup>	12 <sup>5/8</sup>	12	1	34 <sup>7/16</sup>	8 <sup>7/16</sup>	12 <sup>3/8</sup>	176
THREE	2	50CVU6.75	0.75	1	13 <sup>15/16</sup>	7 <sup>11/16</sup>	10 <sup>1/16</sup>	3 <sup>7/8</sup>	7 <sup>1/16</sup>	7 <sup>5/16</sup>	1 <sup>3/16</sup>	23 <sup>1/16</sup>	4 <sup>15/16</sup>	6 <sup>1/2</sup>	53
		50CVU61.5	1.5	2	15 <sup>3/4</sup>	9 <sup>9/8</sup>	11 <sup>1/16</sup>	4 <sup>11/16</sup>	8 <sup>1/16</sup>	7 <sup>5/16</sup>	1 <sup>3/16</sup>	26 <sup>3/8</sup>	5 <sup>7/8</sup>	6 <sup>5/8</sup>	95
		80CVU61.5	1.5	2	17 <sup>11/16</sup>	8 <sup>7/8</sup>	13 <sup>3/16</sup>	4 <sup>11/16</sup>	9 <sup>1/4</sup>	8 <sup>13/16</sup>	1 <sup>3/16</sup>	27 <sup>13/16</sup>	6 <sup>5/16</sup>	8 <sup>1/16</sup>	104

#### Dimensions: mm

PHASE	SIZE ø	MODEL	OUTPUT		PUMP & MOTOR										WEIGHT kg
			KW	HP	A	B	C	D	E	F	G	H	J	L	
SINGLE	50	50CVU6.75S	0.75	1	354	195	258	98	180	185	30	567	125	165	26
		50CVU61.5S	1.5	2	400	238	281	119	205	185	20	584	150	168	39
		50CVU62.2S	2.2	3	400	238	281	119	205	185	20	690	150	175	50
	50/80	80CVU61.5S	1.5	2	450	225	331	119	235	224	20	620	160	204	43
		80CVUCU62.2S	2.2	3	450	225	331	119	235	224	20	726	160	211	54
		80CVUCU63.7S	3.7	5	450	225	331	119	235	224	20	772	160	211	63
	80/100	80CVBU62.2S	2.2	3	471	252	346	125	250	254	25	773	175	258	62
		80CVBU63.7S	3.7	5	471	252	346	125	250	254	25	819	175	258	65
		100CVU63.7S	3.7	5	589	308	435	154	320	305	25	875	215	314	80
THREE	50	50CVU6.75	0.75	1	354	195	256	98	180	185	30	586	125	165	24
		50CVU61.5	1.5	2	400	238	281	119	205	185	20	670	150	168	43
		80CVU61.5	1.5	2	450	225	331	119	235	224	20	706	160	204	47

### Dimensions

### Model CVU, with Quick Discharge Connector, Single and Three Phase 50CVU, 1 to 3HP



### Dimensions: inch

PHASE	SIZE $\phi$	MODEL	OUTPUT		QDC MODEL	PUMP & MOTOR					WEIGHT Lb	
			kW	HP		F	G	L	Q	T	PUMP	Q.D.C.
SINGLE	2	50CVU6.75S	0.75	1	LM50	7 <sup>1</sup> / <sub>16</sub>	14 <sup>3</sup> / <sub>8</sub>	8 <sup>1</sup> / <sub>4</sub>	4 <sup>15</sup> / <sub>16</sub>	22 <sup>5</sup> / <sub>16</sub>	57	24
		50CVU61.5S	1.5	2	LM50	8 <sup>9</sup> / <sub>16</sub>	16 <sup>1</sup> / <sub>4</sub>	8 <sup>3</sup> / <sub>8</sub>	5 <sup>7</sup> / <sub>8</sub>	23	86	24
		50CVU62.2S	2.2	3	LM50	8 <sup>9</sup> / <sub>16</sub>	15 <sup>1</sup> / <sub>8</sub>	8 <sup>11</sup> / <sub>16</sub>	5 <sup>7</sup> / <sub>8</sub>	27 <sup>3</sup> / <sub>16</sub>	110	24
THREE	2	50CVU6.75	0.75	1	LM50	7 <sup>1</sup> / <sub>16</sub>	14 <sup>3</sup> / <sub>8</sub>	8 <sup>1</sup> / <sub>4</sub>	4 <sup>15</sup> / <sub>16</sub>	23 <sup>1</sup> / <sub>16</sub>	53	24
		50CVU61.5	1.5	2	LM50	8 <sup>9</sup> / <sub>16</sub>	16 <sup>1</sup> / <sub>4</sub>	8 <sup>3</sup> / <sub>8</sub>	5 <sup>7</sup> / <sub>8</sub>	26 <sup>3</sup> / <sub>8</sub>	95	24

### Dimensions: mm

PHASE	SIZE $\phi$	MODEL	OUTPUT		QDC MODEL	PUMP & MOTOR					WEIGHT Lb	
			kW	HP		F	G	L	Q	T	PUMP	Q.D.C.
SINGLE	50	50CVU6.75S	0.75	1	LM50	179	365	210	125	567	26	11
		50CVU61.5S	1.5	2	LM50	217	413	213	150	584	39	11
		50CVU62.2S	2.2	3	LM50	217	384	220	150	690	50	11
THREE	50	50CVU6.75	0.75	1	LM50	179	365	210	125	586	24	11
		50CVU61.5	1.5	2	LM50	217	413	213	150	670	43	11

## Model CVU

## EBARA PRO Cast Vortex Sewage Pumps

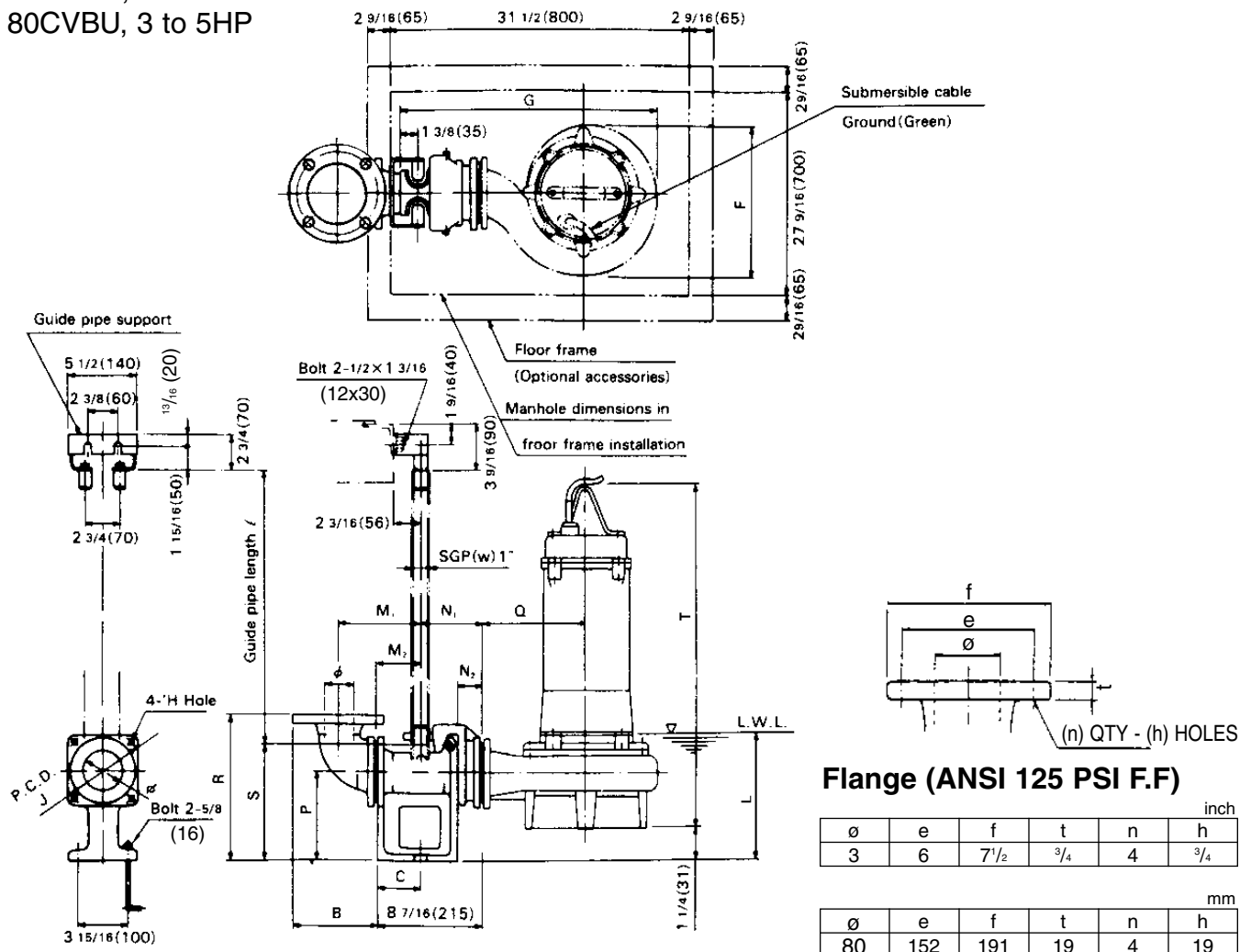
### Dimensions

#### Model CVU, with Quick Discharge Connector, Single and Three Phase

80CVU, 2HP

80CVCU, 3 to 5HP

80CVBU, 3 to 5HP



Flange (ANSI 125 PSI F.F)

inch					
ø	e	f	t	n	h
3	6	7 1/2	3/4	4	3/4

mm					
ø	e	f	t	n	h
80	152	191	19	4	19

### Dimensions: inch

PHASE	SIZE ø	PUMP MODEL	OUTPUT		QDC MODEL	QDC										PUMP & MOTOR					WEIGHT Lb		
			KW	HP		B	C	H	J	M <sub>1</sub>	M <sub>2</sub>	N <sub>1</sub>	N <sub>2</sub>	P	R	S	F	G	L	Q	T	PUMP	QDC
SINGLE	2/3	80CVU61.5S	1.5	2	LM65	6	3 3/4	1/2	5 1/2	6 11/16	3 3/4	4 3/4	1 3/4	5 11/16	10 1/16	7 1/2	8 7/8	16 7/8	9 1/4	6 5/16	24 7/16	95	31
		80CVCU62.2S	2.2	3	LM65	6	3 3/4	1/2	5 1/2	6 11/16	3 3/4	4 3/4	1 3/4	5 11/16	10 1/16	7 1/2	8 7/8	16 7/8	9 1/2	6 5/16	28 9/16	119	31
		80CVCU63.7S	3.7	5	LM65	6	3 3/4	1/2	5 1/2	6 11/16	3 3/4	4 3/4	1 3/4	5 11/16	10 1/16	7 1/2	10 3/4	19	9 1/2	6 7/8	30 3/8	139	31
	3/4	80CVBU62.2S	2.2	3	LM80	6 5/8	3 9/16	9/16	6 1/8	6 1/2	3 9/16	4 15/16	1 15/16	6 7/8	11 1/4	9 1/16	9 13/16	18 7/8	11 3/8	6 7/8	30 7/16	137	37
		80CVBU63.7S	3.7	5	LM80	6 5/8	3 9/16	9/16	6 1/8	6 1/2	3 9/16	4 15/16	1 15/16	6 7/8	11 1/4	9 1/16	11 1/4	19 13/16	11 3/8	8 7/16	32 1/4	143	37
THREE	2/3	80CVU61.5	1.5	2	LM65	6	3 3/4	1/2	5 1/2	6 5/16	3 3/4	4 3/4	1 3/4	5 11/16	10 1/16	7 1/2	8 7/8	16 7/8	9 1/4	6 5/16	27 3/16	104	31

### Dimensions: mm

PHASE	SIZE ø	PUMP MODEL	OUTPUT		QDC MODEL	QDC										PUMP & MOTOR					WEIGHT kg		
			KW	HP		B	C	H	J	M <sub>1</sub>	M <sub>2</sub>	N <sub>1</sub>	N <sub>2</sub>	P	R	S	F	G	L	Q	T	PUMP	QDC
SINGLE	50/80	80CVU61.5S	1.5	2	LM65	153	95	12	140	170	95	120	45	145	255	190	225	428	235	160	620	43	14
		80CVCU62.2S	2.2	3	LM65	153	95	12	140	170	95	120	45	145	255	190	225	428	242	160	726	54	14
		80CVCU63.7S	3.7	5	LM65	153	95	12	140	170	95	120	45	145	255	190	273	482	242	175	772	63	14
	80/100	80CVBU62.2S	2.2	3	LM80	168	90	15	155	165	90	125	50	175	285	230	249	460	289	175	773	62	17
		80CVBU63.7S	3.7	5	LM80	168	90	15	155	165	90	125	50	175	285	230	285	503	289	215	819	65	17
THREE	50/80	80CVU61.5	1.5	2	LM65	153	95	12	140	160	95	120	45	145	255	190	225	428	235	160	706	47	14

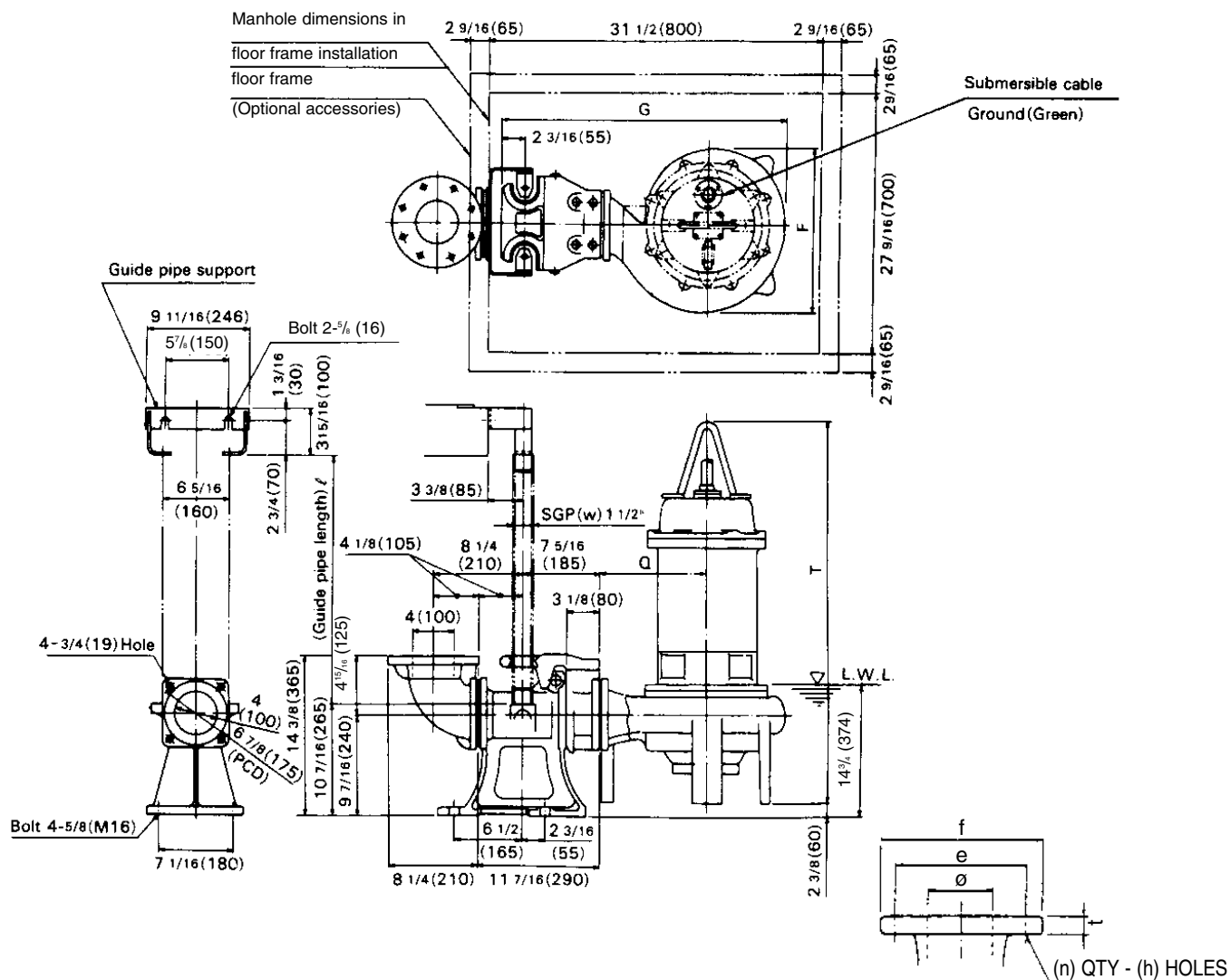
## Model CVU

## EBARA PRO Cast Vortex Sewage Pumps

### Dimensions

### Model CVU, with Quick Discharge Connector, Single Phase

100CVU 5HP



### Flange (ANSI 125 PSI F.F)

inch					
ø	e	f	t	n	h
4	7 1/2	9	15/16	8	3/4

mm					
ø	e	f	t	n	h
100	191	229	24	8	19

### Dimensions: inch

PHASE	SIZE ø	MODEL	OUTPUT		QDC MODEL	PUMP & MOTOR				WEIGHT Lb	
			KW	HP		F	G	Q	T	PUMP	Q.D.C.
SINGLE	3/4	100CVU63.7S	3.7	5	LL100	12 1/8	24	8 7/16	34 7/16	176	101

### Dimensions: mm

PHASE	SIZE ø	MODEL	OUTPUT		QDC MODEL	PUMP & MOTOR				WEIGHT kg	
			KW	HP		F	G	Q	T	PUMP	Q.D.C.
SINGLE	80/100	100CVU63.7S	3.7	5	LL100	308	609	215	875	80	46

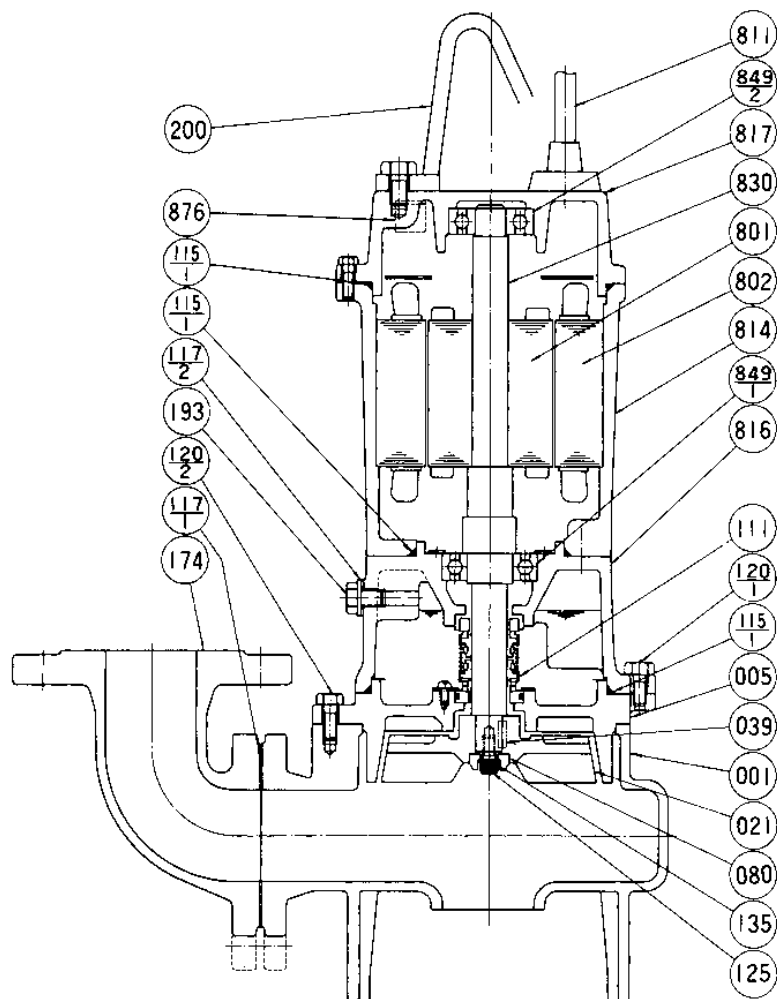
## Model CVU

## EBARA PRO Cast Vortex Sewage Pumps

### Sectional View

### Single Phase

1 to 5HP



PART NO.	PART NAME	MATERIAL	ASTM, AISI CODE	NO. FOR 1 UNIT
001	CASING	CAST IRON	A48 Class 30	1
005	INTERMEDIATE CASING	CAST IRON	A48 Class 30	1
†021	IMPELLER	CAST IRON	A48 Class 30	1
039	KEY	420 STAINLESS	AISI420	1
†080	BUSHING	STEEL	A283 Grade D	1
†111	MECHANICAL SEAL	—		1 SET
†115-1	O-RING	RUBBER (NBR)		1
†115-2	O-RING	RUBBER (NBR)		1
†115-3	O-RING	RUBBER (NBR)		1
†117-1	GASKET			1
†117-2	GASKET			1
120-1	BOLT	304 STAINLESS	AISI304	4
120-2	BOLT	304 STAINLESS	AISI304	4 or 8
125	BOLT	304 STAINLESS	AISI304	1

PART NO.	PART NAME	MATERIAL	ASTM, AISI CODE	NO. FOR 1 UNIT
135	WASHER	304 STAINLESS	AISI304	1
174	DISCHARGE ELBOW	CAST IRON	A48 Class 30	1
193	OIL PLUG	316 STAINLESS	AISI316	1
200	LIFTING HANGER	STEEL	A283 Grade D	1
801	ROTOR	—		1
802	STATOR	—		1
†811	SUBMERSIBLE CABLE	—		1
814	MOTOR FRAME	CAST IRON	A48 Class 30	1
816	BRACKET	CAST IRON	A48 Class 30	1
817	BRACKET	CAST IRON	A48 Class 30	1
830	SHAFT	403 STAINLESS	AISI403	1
†849-1	BALL BEARING	—		1
†849-2	BALL BEARING	—		1
876	MOTOR PROTECTOR	—		1

Motors are purchased as a complete unit

†: Recommended spare parts

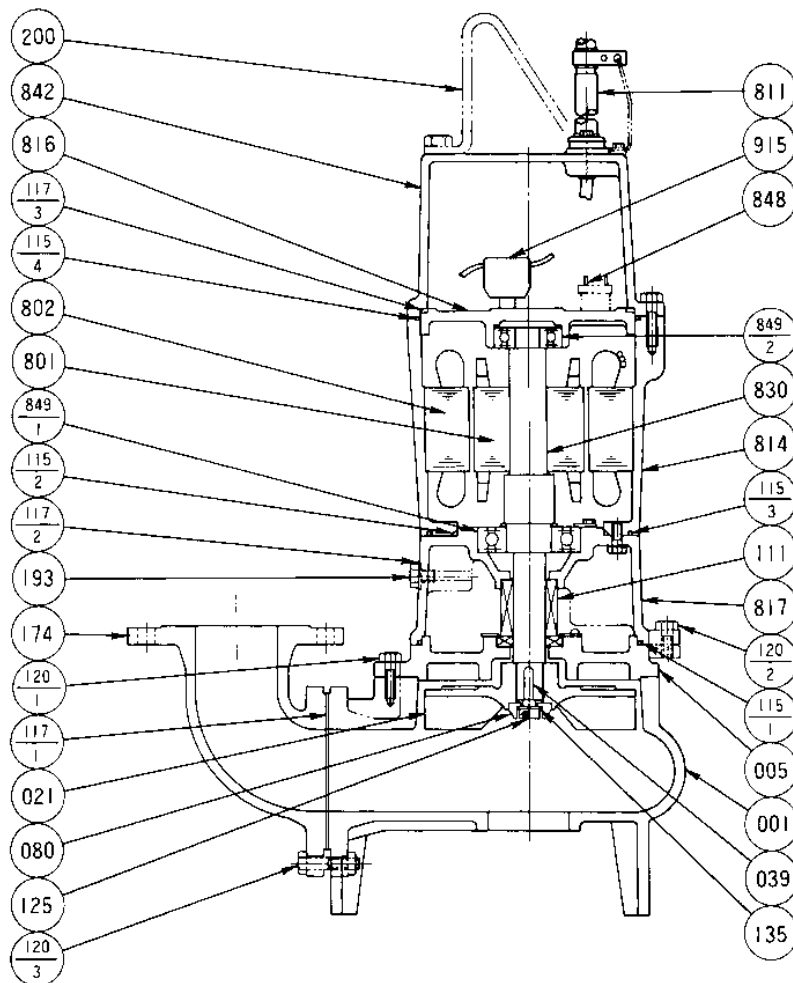
## Model CVU

## EBARA PRO Cast Vortex Sewage Pumps

### Sectional View

### Three Phase

1 to 5HP



PART NO.	PART NAME	MATERIAL	ASTM, AISI CODE	NO. FOR 1 UNIT
001	CASING	CAST IRON	A48 Class 30	1
005	INTERMEDIATE CASING	CAST IRON	A48 Class 30	1
†021	IMPELLER	CAST IRON	A48 Class 30	1
039	KEY	420 STAINLESS	AISI420	1
†080	BUSHING	STEEL	A283 Grade D	1
†111	MECHANICAL SEAL	—		1 SET
†115-1	O-RING	RUBBER (NBR)		1
†115-2	O-RING	RUBBER (NBR)		1
†115-3	O-RING	RUBBER (NBR)		1
†115-4	O-RING	RUBBER (NBR)		1
†117-1	GASKET			1
†117-2	GASKET			1
†117-3	GASKET	RUBBER (NBR)		1
120-1	BOLT	304 STAINLESS	AISI304	4 or 8
120-2	BOLT	304 STAINLESS	AISI304	4
120-3	BOLT	304 STAINLESS	AISI304	4
125	BOLT	304 STAINLESS	AISI304	1

PART NO.	PART NAME	MATERIAL	ASTM, AISI CODE	NO. FOR 1 UNIT
135	WASHER	304 STAINLESS	AISI304	1
174	DISCHARGE ELBOW	CAST IRON	A48 Class 30	1
193	OIL PLUG	316 STAINLESS	AISI316	1
200	LIFTING HANGER	STEEL	A283 Grade D	1
801	ROTOR	—		1
802	STATOR	—		1
†811	SUBMERSIBLE CABLE	—		1
814	MOTOR FRAME	CAST IRON	A48 Class 30	1
816	BRACKET	CAST IRON	A48 Class 30	1
817	BRACKET	CAST IRON	A48 Class 30	1
830	SHAFT	403 STAINLESS	AISI403	1
842	MOTOR COVER	CAST IRON	A48 Class 30	1
848	MOTOR PROTECTOR	—		1
†849-1	BALL BEARING	—		1
†849-2	BALL BEARING	—		1
915	EXTERNAL TERMINAL	—		1

Motors are purchased as a complete unit  
 †: Recommended spare parts

