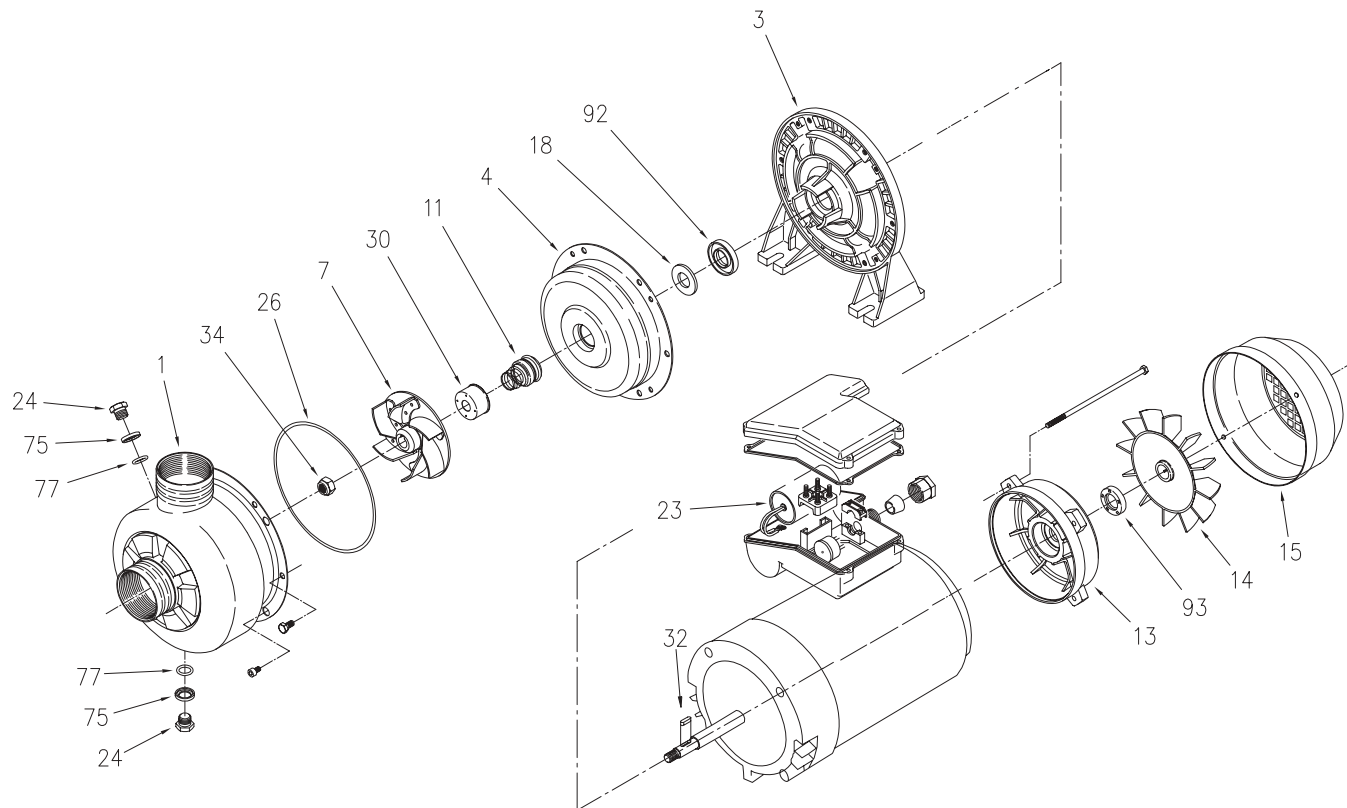
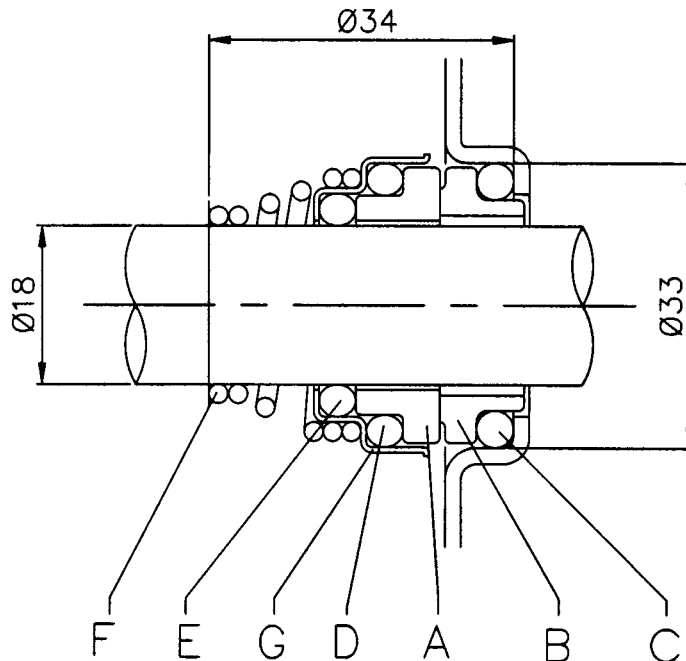


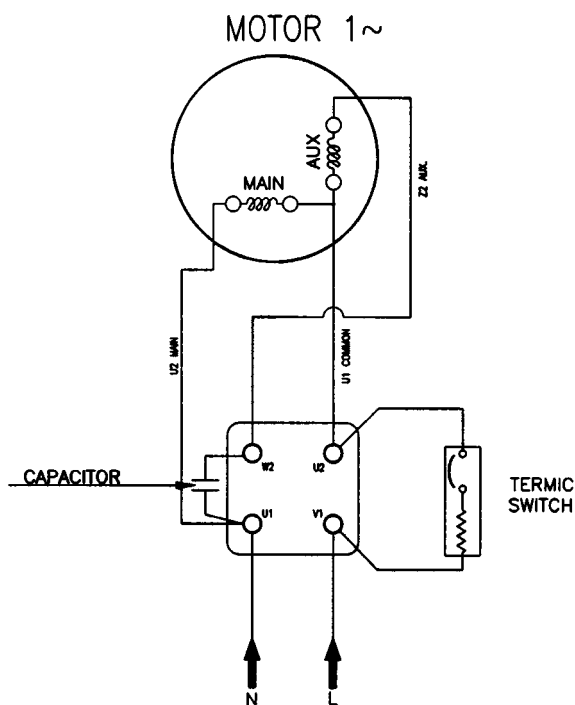
Exploded view



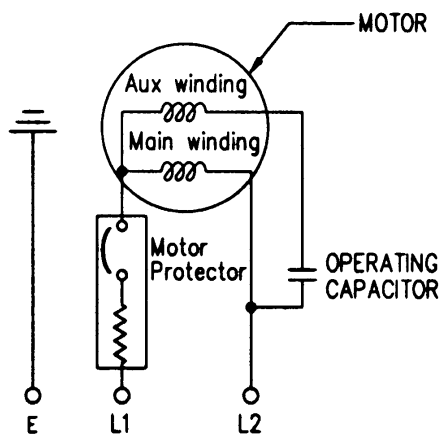
Location No.	Part Name	Material	No. for 1 Unit
1	Casing	304 Stainless Steel	1
3	Motor bracket	Aluminum	1
4	Casing cover	304 Stainless Steel	1
7	Impeller	304 Stainless Steel	1
11	Mechanical seal	Carbon/Ceramic/NBR	1
14	Fan	Polypropolene	1
15	Fan cover	Steel	1
18	Casing Ring	—	1
23	Capacitor	Single phase only	1
24	Priming plug/Drain plug	303 Stainless Steel	2
26	O-ring	NBR	2
30	Splash ring	304 Stainless Steel	1
32	Key	304 Stainless Steel	1
34	Impeller nut	304 Stainless Steel	1
75	Washer	304 Stainless Steel	2
77	O-ring	NBR	2
92	Lip seal (Pump side)	—	1
93	Lip seal (Fan side)	—	1



REF.	PART NAME	MATERIAL
A	Rotary Seal Ring	Ceramic
B	Stationary Seal Ring	Carbon graphite
C	O-ring	NBR
D	O-ring	NBR
E	O-ring	NBR
F	Self driving spring	AISI 316
G	Frame	AISI 304



230 V
EXTERNAL MOTOR PROTECTOR

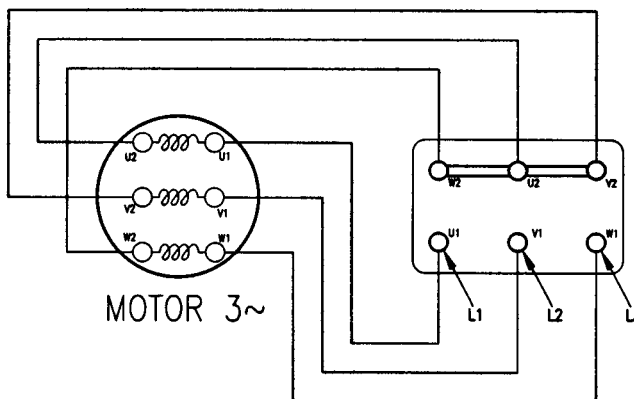


Model DWO
Wiring Diagram
Three Phase

EBARA Stainless Steel Open Impeller Centrifugal Pumps

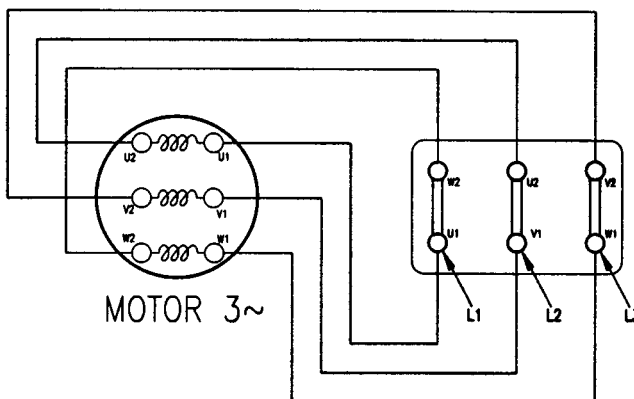
460V

STAR CONNECTION



230V

DELTA CONNECTION



Model DWO

EBARA Stainless Steel Open Impeller Centrifugal Pumps

Electrical Data

Hz	Poles	Phase	Output (HP)	Voltage (V)	Applicable Model
60	2	Single	1.5 to 2	230	DWO

Name-Plate Rating	MOTOR MODEL		1506	2006				
	Output	HP	1.5	2				
		kW	1.1	1.5				
	Phase		1	1				
	Poles		2	2				
	Volts		230	230				
	Amperes		6.6	9.8				
	Speed		3450	3450				
	Insulation Class		F	F				
Number Starts Per Hour			20	20				
Voltage Tolerance %			±6%					

Model DWO EBARA Stainless Steel Open Impeller Centrifugal Pumps
Electrical Data

Hz	Poles	Phase	Output (HP)	Voltage (V)	Applicable Model
60	2	Three	1.5 to 4	230	DWO

Name-Plate Rating	MOTOR MODEL	1506	2006	3006	4006		
	Output	HP	1.5	2	3	4	
		kW	1.1	1.5	2.2	3	
	Phase		3	3	3	3	
	Poles		2	2	2	2	
	Volts		230	230	230	230	
	Amperes		3.6	5.9	8.1	11.1	
	Speed		3450	3450	3450	3450	
Insulation Class		F	F	F	F		
Number Starts Per Hour		20	20	20	20		
Voltage Tolerance %		±6%					

Model DWO EBARA Stainless Steel Open Impeller Centrifugal Pumps
Electrical Data

Hz	Poles	Phase	Output (HP)	Voltage (V)	Applicable Model
60	2	Three	1.5 to 4	460	DWO

Name-Plate Rating	MOTOR MODEL	1506	2006	3006	4006		
	Output	HP	1.5	2	3	4	
		kW	1.1	1.5	2.2	3	
	Phase		3	3	3	3	
	Poles		2	2	2	2	
	Volts		230	230	230	230	
	Amperes		2.1	3.4	4.7	6.4	
	Speed		3450	3450	3450	3450	
Insulation Class		F	F	F	F		
Number Starts Per Hour		20	20	20	20		
Voltage Tolerance %		±6%					