

Model JEU

EBARA Stainless Steel Self Priming Jet Pumps

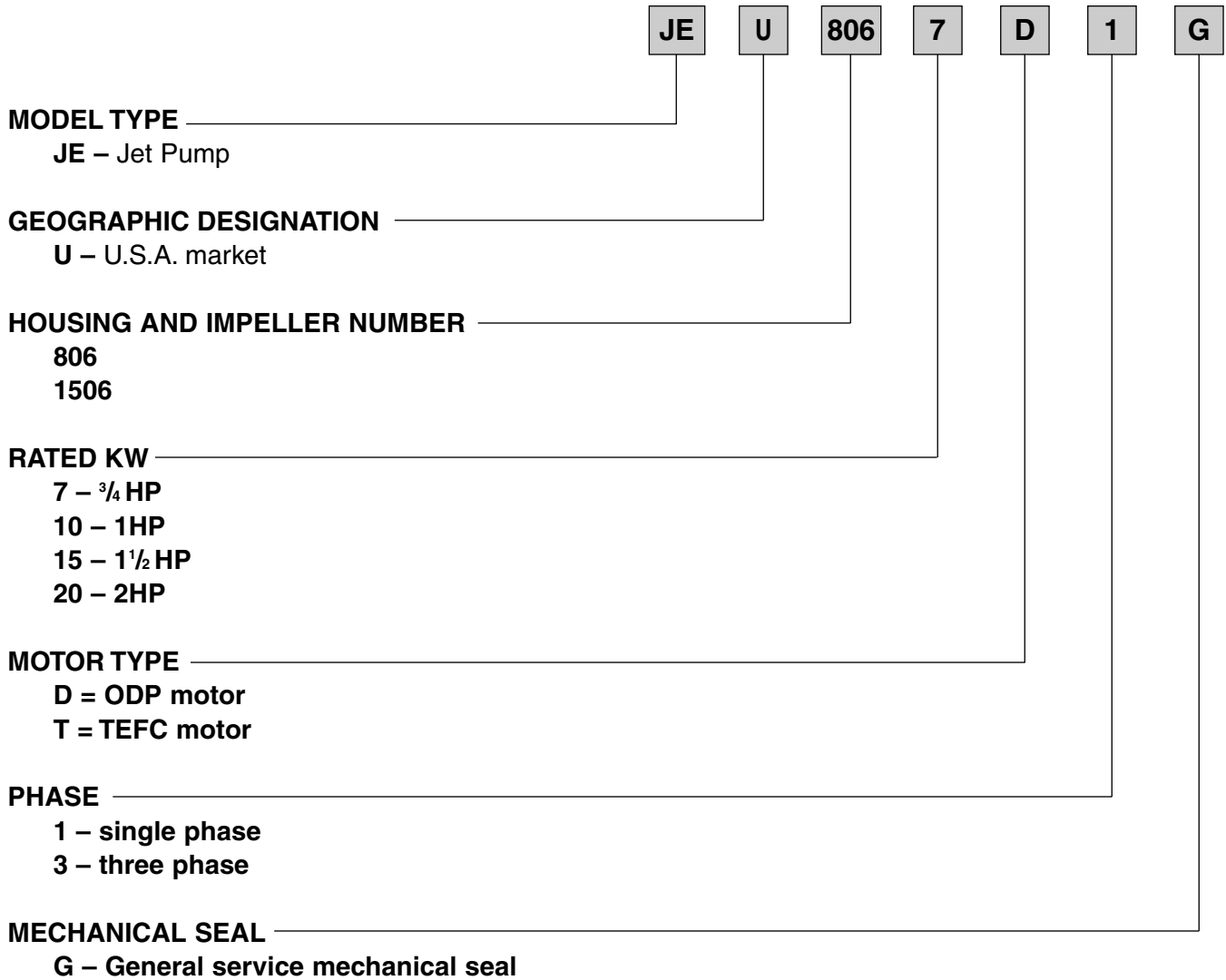
Contents

Model No.	Specifications	Selection Chart	Performance Curve	Pump Dimensions	Sectional View
JEU806- ³ / ₄ HP JEU1506-1 ¹ / ₂ HP	502	503	504	505	506

Model JEU

EBARA Stainless Steel Self Priming Jet Pumps

Model Designation



Model JEU **EBARA Stainless Steel Self Priming Jet Pumps**
Specifications

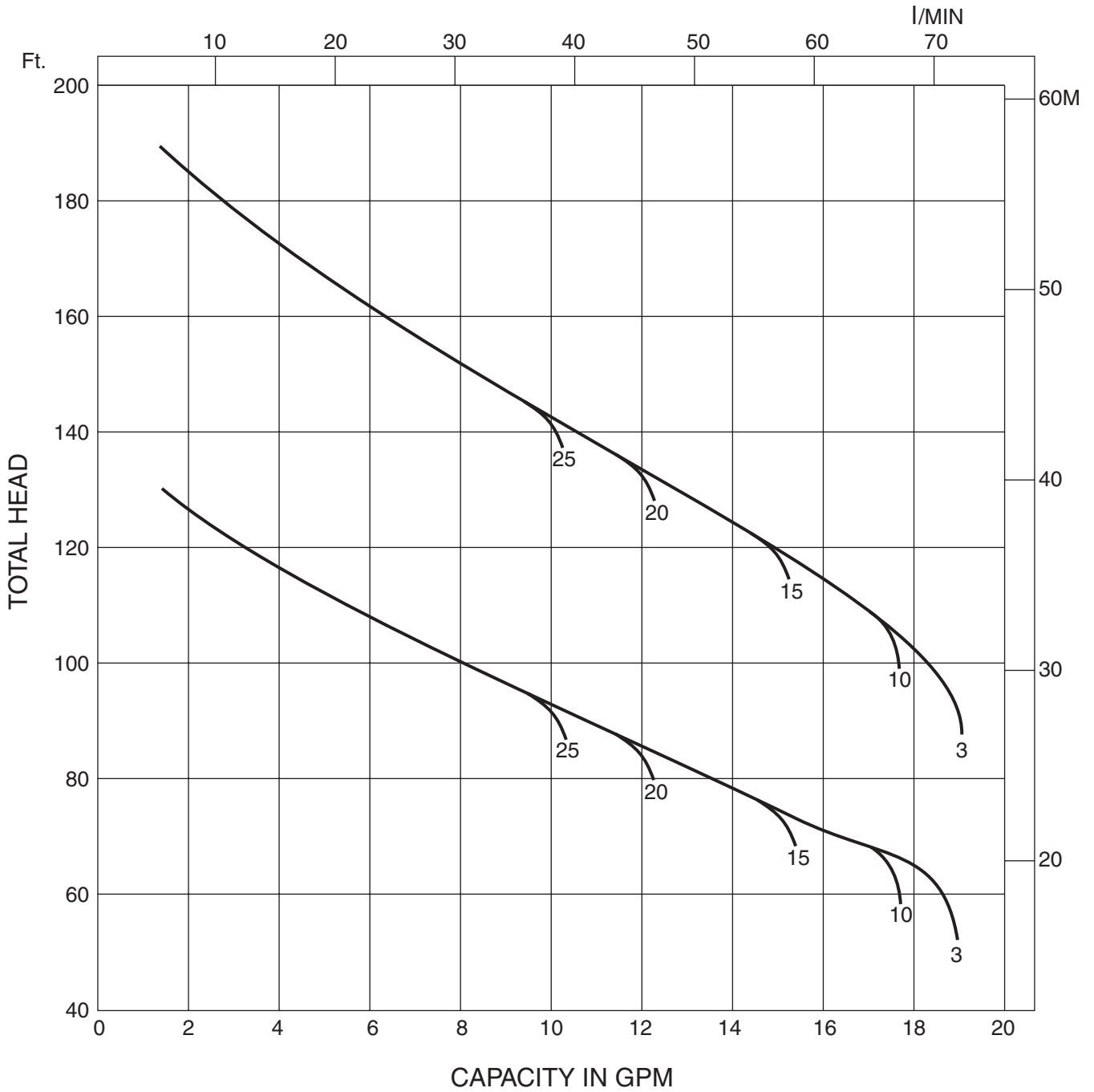
	Standard	Optional
Size Suction Discharge	1 1/4" NPT thread 1" NPT thread	
Range of HP	3/4 HP to 2HP	
Range of Performance Capacity Head	1.5 to 18.5 GPM at 3450 RPM 63 to 190 Feet at 3450 RPM	
Liquid handled Type of liquid Temperature Suction Lift Maximum working pressure	Clean water Maximum: 113°F (45°C) Maximum 25 Ft. at 68°F (20°C) 125 PSI (9 Bar)	
Materials Casing Impeller (closed type) Shaft Ejector Diffuser Bracket Shaft Seal Bearing	304L Stainless Steel 304L Stainless Steel Stainless Steel Noryl plus 20% Fiberglass Noryl plus 20% Fiberglass Aluminum Mechanical Seal – Type 21 Ball Bearing	
Direction of Rotation	Clockwise when viewed from motor end	
Motor Type Speed Single Phase Three Phase Motor Protection	NEMA 56J Frame 60 Hz, 3450 RPM (2 poles) TEFC – 1 HP and 2 HP ODP – 3/4 HP and 1 1/2 HP, 115/230V TEFC – 1 HP and 2 HP ODP – 3/4 HP and 1 1/2 HP, 208-230/460V Built-in overload protection (single phase)	

Model JEU

EBARA Stainless Steel Self Priming Jet Pumps

Selection Chart

60 Hz Synchronous Speed: 3450 RPM



NOTE: Figures in selection chart indicate suction lift (Ft.).

Model JEU

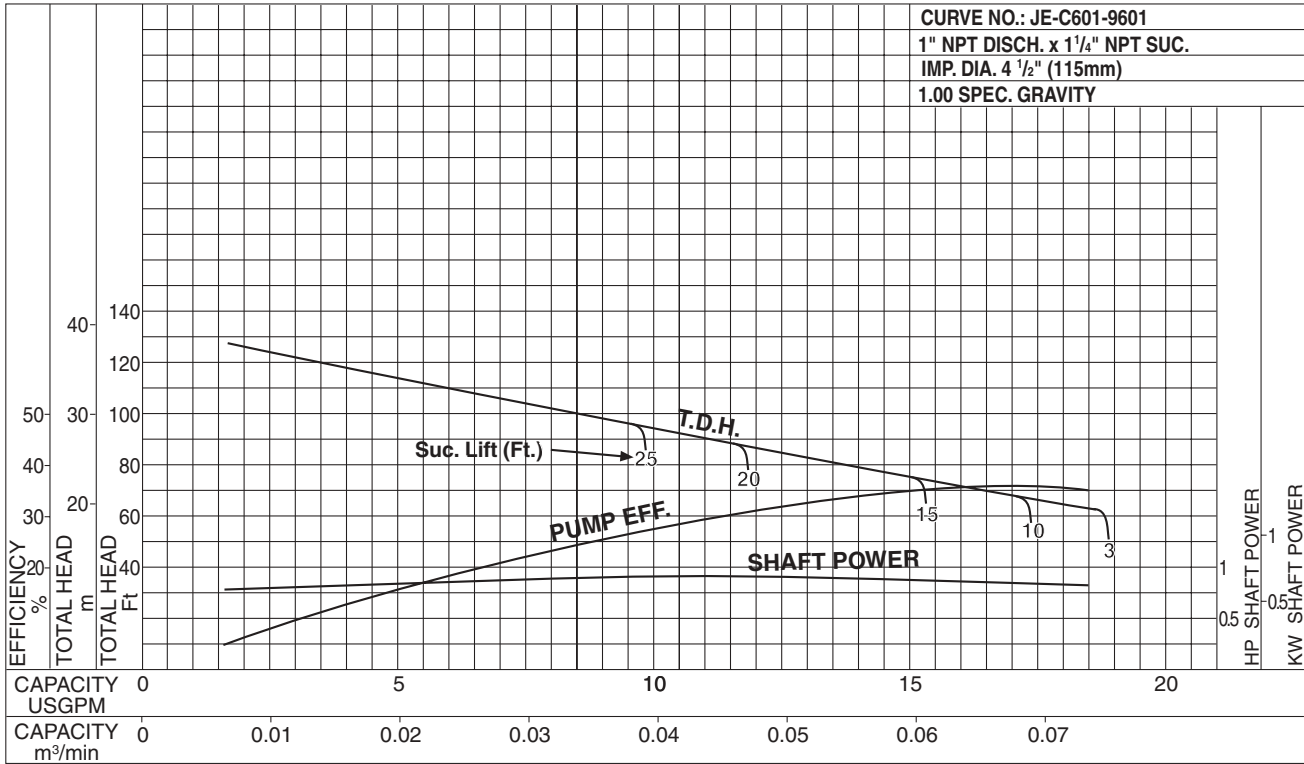
EBARA Stainless Steel Self Priming Jet Pumps

Performance Curves

JEU806-³/₄ HP

Synchronous Speed: 3450 RPM

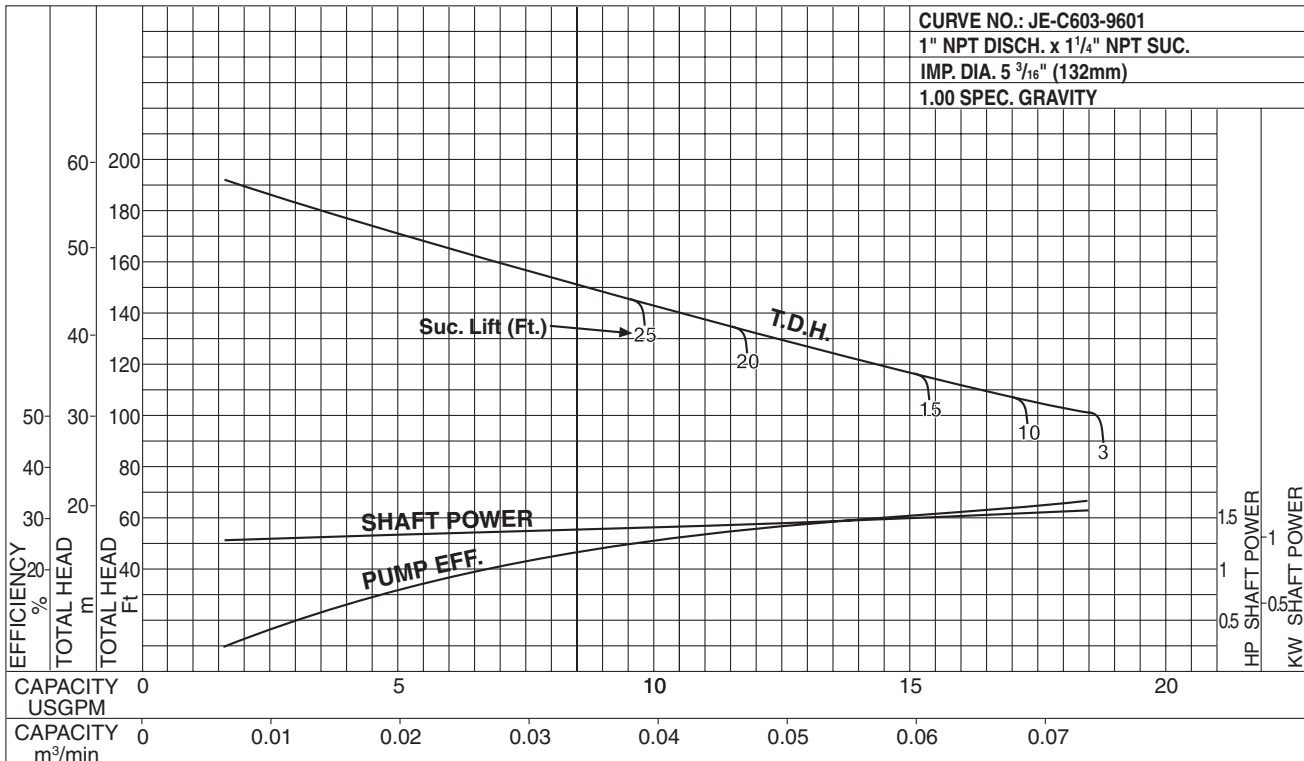
Size: 1 x 1¹/₄ x 4¹/₂



JEU1506-1¹/₂ HP

Synchronous Speed: 3450 RPM

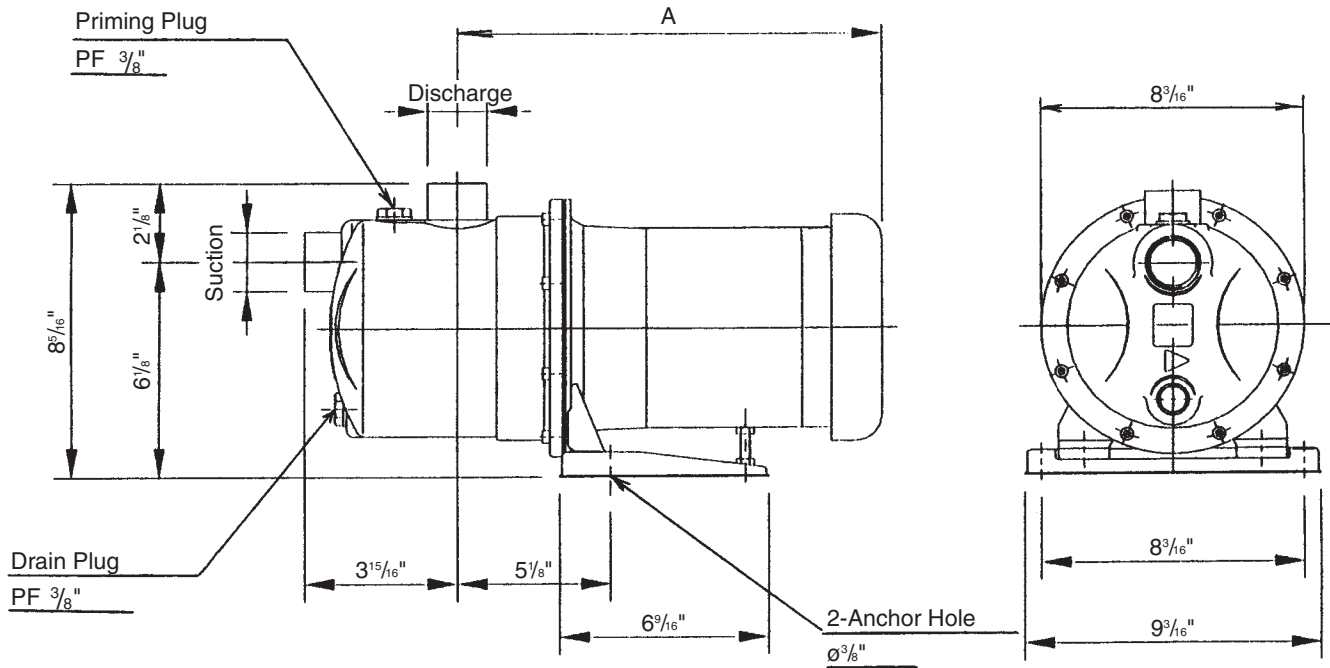
Size: 1 x 1¹/₄ x 5³/₁₆



Model JEU

EBARA Stainless Steel Self Priming Jet Pumps

Dimensions

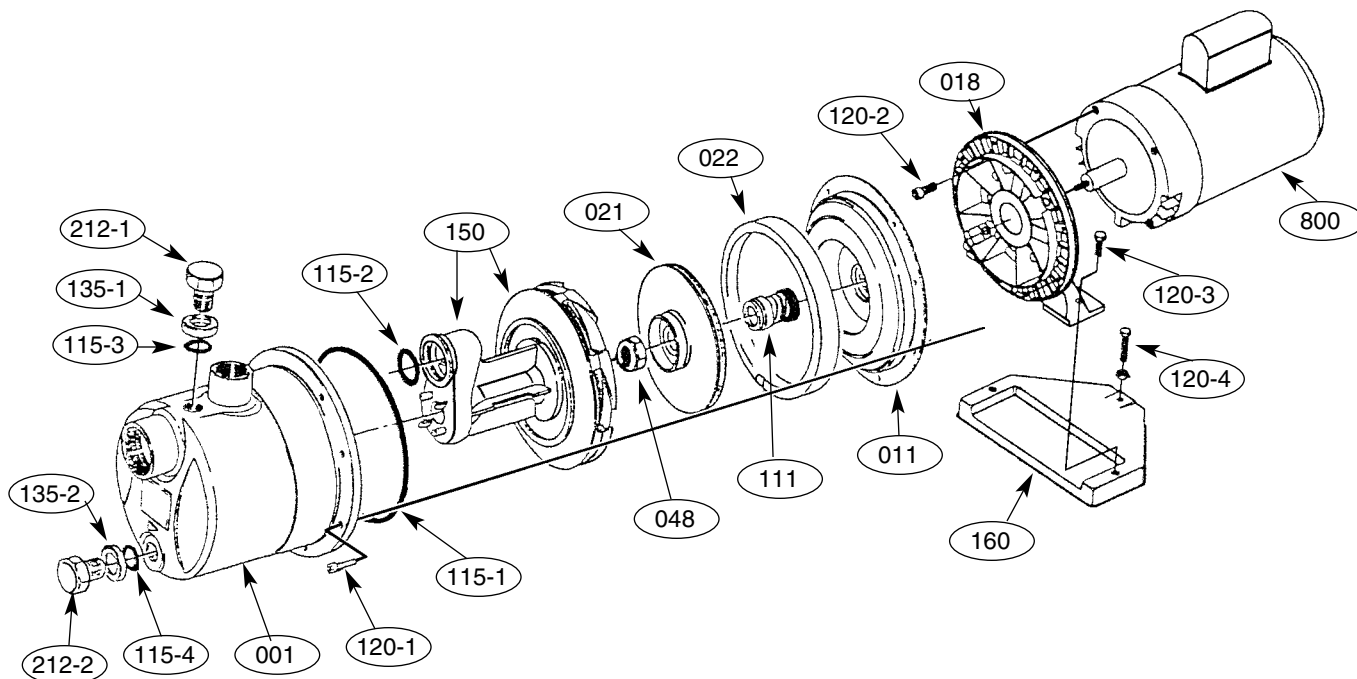


Model	Size	Pump Size-NPT (inch)		Dimension (inch)	Unit Weight (lbs.)			
		Suction	Discharge	A	Single Phase		Three Phase	
					ODP	TEFC	ODP	TEFC
JEU806-3/4HP	1×1 ¹ / ₄ ×4 ¹ / ₂	1 ¹ / ₄	1	15 ⁵ / ₈ Max.	37	41	39	43
JEU1506-1 ¹ / ₂ HP	1×1 ¹ / ₄ ×5 ³ / ₁₆	1 ¹ / ₄	1	19 ¹ / ₈ Max.	42	46	44	48

Model JEU

EBARA Stainless Steel Self Priming Jet Pumps

Sectional View



Part No.	Part Name	Material	No. for 1 Unit
001	Casing	304L Stainless	1
011	Casing cover	304L Stainless	1
018	Bracket	Aluminum	1
021	Impeller	304L Stainless	1
022	Guide vane	Noryl GFNZ	1
048	Impeller nut	304L Stainless	1
111	Mechanical seal	-	1 set
115-1	O-Ring	Viton	1
115-2	O-Ring	Viton	1
115-3	O-Ring	Viton	1
115-4	O-Ring	Viton	1
120-1	Bolt	304L Stainless	8
120-2	Bolt	304L Stainless	4
120-3	Bolt	304L Stainless	2
120-4	Bolt	304L Stainless	1
135-1	Washer	304L Stainless	1
135-2	Washer	304L Stainless	1
150	Diffuser & Venturi Tube	Noryl GFNZ	1
160	Base	Steel	1
212-1	Plug	304L Stainless	1
212-2	Plug	304L Stainless	1
800	Motor	NEMA 56J Frame	1