

---

# Submersible Sump/Drainage Pump

Model DSU  
Model DSHU



Operating Instructions, Installation & Maintenance Manual

---



**EBARA Fluid Handling**


EBARA International Corporation


**Operating, Installation, and Maintenance**

**Contents**

<b>Section</b>	<b>Page</b>
Safety Information and Introduction .....	2
Specifications .....	2
Pump Checks .....	3
Installation .....	4
Operation .....	7
Maintenance and Service .....	8
Other .....	11


**Safety Information and Introduction**

 **WARNING**




Before handling this pump, always disconnect the power first. Do not use sparkable electrical devices or flames in a septic (gaseous) or possible septic sump.

Do not work under heavy suspended objects unless there is a positive support under it to stop its fall in event of sling or hoist failure. Disregard of this warning could result in personal injury.



This pump should only be serviced by qualified or factory trained personnel.

 **CAUTION**

This instruction manual includes necessary items for installation, operation, and maintenance. Read this manual carefully to ensure correct installation, operation, and maintenance.

Be sure to keep this instruction manual on hand for future reference.

Design of this EBARA pump is based on superior engineering and long experience. To prevent trouble and provide satisfactory operation and long life, it is important to understand the EBARA pump thoroughly by careful study of this manual. If any questions arise regarding this manual, please direct them to EBARA INTERNATIONAL CORPORATION.

**Specifications**

 **CAUTION**

Be careful not to exceed the given specifications in the use of your products.

Check the nameplate for your pump's head (HEAD), discharge volume (CAPACITY), speed (SPEED), motor voltage and current. Other specifications are noted in the chart below.

Item		Specifications	
		Model DSU	Model DSHU
Liquid handled	Type	Sewage, waste water, miscellaneous drain water	
	Temperature	32 - 122° F	Motor: 1/2, 1HP: 32-158° F Motor: 2-5HP: 32-176° F
Materials	Casing	Cast iron	
	Impeller	Cast iron	
	Shaft	403 stainless steel	
Motor type		Air-filled submersible motor	
Shaft seal lubrication oil		Turbine No. 32 ISO VG - 32	Rotaly compressor oil A
Maximum water depth		65 ft	65 ft
Installation		Floor mounted	

**Operating, Installation, and Maintenance**

**Pump Checks**

**1. Check the following points upon receipt of your pump:**

- (1) Check the name plate to confirm that it is the pump ordered.
- (2) Ensure that the pump voltage is the same as the power at your location.
- (3) Check oil level at oil plug.
- (4) Check that all plugs and fastening bolts are properly tightened.
- (5) Check that the pump has not been damaged and the cable glands and cables are in a satisfactory condition.
- (6) Check accessories and spare parts against the packing list.
- (7) Check that the impeller turns smoothly by hand.


**2. Precautions when operation is suspended:**

- (1) If operation is to be suspended for 30 days with the pump immersed in water, measure the insulation resistance of the motor.  
If resistance is over 1 mega ohm, operate pump to prevent rust from developing on moving parts. Follow the instructions under OPERATION when pump operation is to be resumed.
- (2) For dry storage, clean out pump and store in a dry place.  
Follow the instructions under INSTALLATION and OPERATION when pump operation is to be resumed.

**Installation**

**1. Check the following before beginning installation:**

**⚠ WARNING**



Before insulation resistance measurement, always disconnect the power first.

All electrical work should be performed by a qualified electrician and all national and local electrical codes must be observed.

**⚠ CAUTION**

When measuring the insulation resistance with meggar for motor windings do not test overload protection.

Overload protection is MOTOR PROTECTION (AUTO-CUT) that is used for up to 5HP; the motor still could have power to it if AUTO-CUT is kicked out.

Insulation resistance measurement:

- (1) For three phase motor:  
With the motor and cable (excluding the power supply connections) immersed in water, use a meggar to measure the insulation resistance between the ground wire and each phase of the motor.
- (2) For single phase motor:  
Use a meggar to measure the insulation resistance between each wire and grounding wire.

**⚠ CAUTION**

Measure the insulation resistance. The value should be more than 1 mega ohm. While making the measurement, keep the power supply cable off the ground.

**Operating, Installation, and Maintenance**

**Installation**

**2. Pump Installation**

**WARNING**

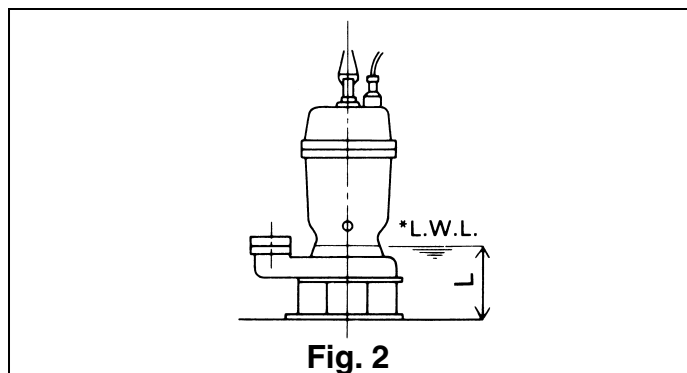
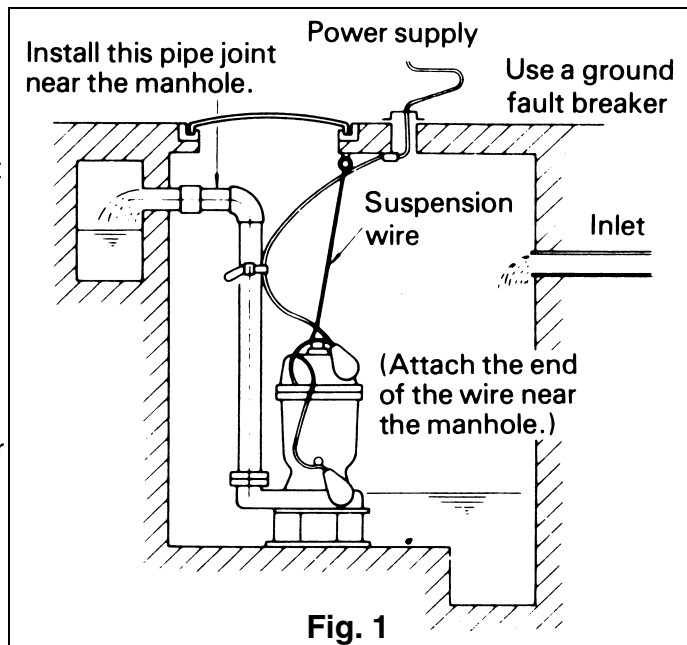
When lifting the pump, use appropriate crane (or hoist) and lift system, check position and tightness of lift system so that weight of the pump is not UNBALANCED. Failure to observe this precaution can result in serious accidents. Handle the cables very carefully. If they are bent or pulled excessively, the cable and the moulded seal may be damaged, resulting in insulation failure. Also, care is needed to protect cable ends against water intrusion.

**CAUTION**

Before installation check rotation. Correct rotation is clockwise when viewed from top of motor. Read ELECTRICAL WIRING.

1. Clean the installation area.
2. Under no circumstances should the cable be pulled while the pump is being transported or installed. Attach a chain or rope to the grip and install the pump.
3. This pump must not be installed on its side. Ensure that it is installed upright on a secure base.
4. Install the pump at a location in the tank where there is the least turbulence.
5. If there is a flow of liquid inside the tank, support the cable where appropriate (See Fig. 1).
6. Install piping so that air will not be entrapped. If piping must be installed in such a way that air pockets are unavoidable, install an air release valve wherever such air pockets are most likely to develop.
7. Do not permit end of discharge piping to be submerged, as backflow will result when the pump is shut down.
8. Non-automatic pumps (model DSU, DSHU) do not have an automatic operating system based on built-in floats. Do not operate the pump for a long time with the water level near the minimum operating level as the automatic cut-off switch incorporated inside the motor will be activated.

To avoid dry operation, install an automatic operating system, as shown in Fig. 2 and maintain a safe operating water level.



Size (inch)	Output (HP)	L (inch)
2	1/3-5	4 1/8
	1-2	4 15/16
3	3-5	6 1/8

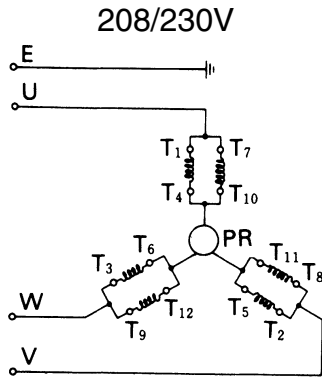
Operating, Installation, and Maintenance



**WARNING**

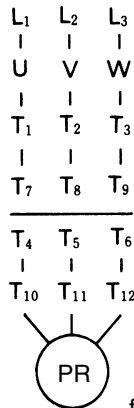
Check that the power is locked off and disconnected before working on pump. All electrical work should be performed by a qualified electrician and all national and local electrical codes must be observed.

**Three Phase**  
• **Model DVSU**

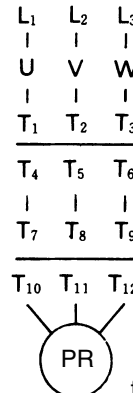
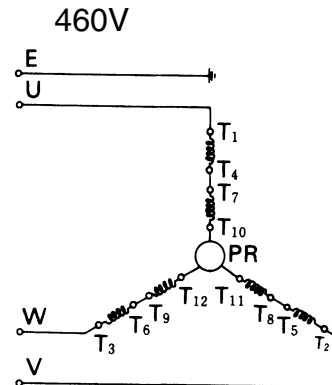


E : GREEN  
U : RED  
V : WHITE  
W : BLACK

PR : PROTECTOR  
(AUTO-CUT)

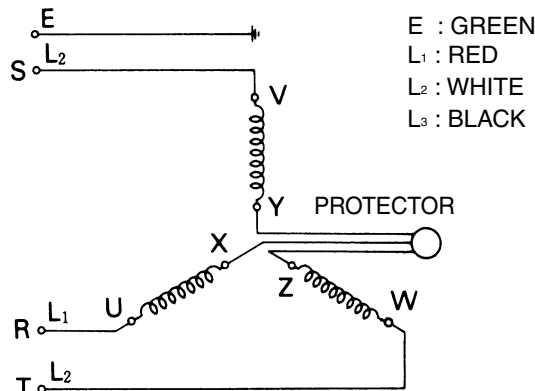


for 230V



for 460V

**Three Phase – Hot Water Type**  
• **Model DVSHU**



E : GREEN  
L<sub>1</sub> : RED  
L<sub>2</sub> : WHITE  
L<sub>3</sub> : BLACK



**Operating, Installation, and Maintenance**

**Installation**

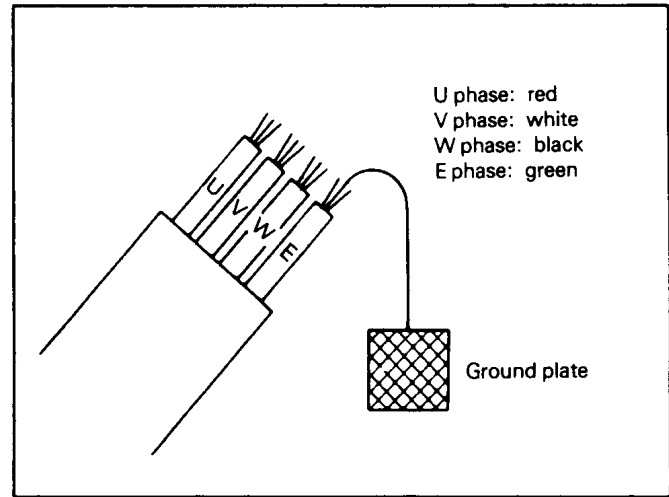
(2) Cable

- a) Never let the end of the cable contact water
- b) If the cable is extended, do not immerse the splice in water.
- c) Fasten the cable to the discharge piping with tape or vinyl strips.
- d) Install the cable so that it will not overheat.  
Overheating is caused by coiling the cable and exposing it to direct sunlight.

(3) Grounding

As shown in Fig. 4 ground the green wire (label E). Under no circumstances should the green wire be connected to the power supply.

- (4) Use short circuit breakers to prevent danger of electrical shock.



**Fig. 4**

**Operation**

**1. Before starting the pump:**

- (1) After completing installation, measure the insulation resistance again as described in INSTALLATION.
- (2) Check water level.

If the pump is operated continuously for an extended period of time in a dry condition or at the lowest water level, the motor protector (less than 10HP) will be activated.

Constant repetition of this action will shorten pump service life. Do not start the pump again in such a situation until after the motor has completely cooled.

**2. Test Operation:**

**⚠ CAUTION**

Check rotation. Correct rotation is clockwise when viewed from top of motor. Pump should be started with gate valve closed, and then the operator should open the valve gradually.

(1) Model DSU, DSHU

- a) Turn the operating switch on and off a couple of times to check for normal pump start.
- b) Check the direction of rotation. If discharge volume is low or unusual sounds are heard when the pump is operating, rotation has been reversed. When this happens, reverse two of the three wires.
- c) Check amperage, voltage, and head pressure.

**Maintenance and Service**



**⚠ WARNING**

Disconnect power cable from power source before servicing unit.  
Normal maintenance should be done by qualified personnel.

Check pressure, output, voltage, current, vibration, and other specifications. Unusual readings may indicate a problem requiring immediate service. Contact your local EBARA INTERNATIONAL CORPORATION representative as soon as possible.

**Operating, Installation, and Maintenance**

**Maintenance and Service**

**1. Daily inspections:**

(1) Check current and ammeter fluctuation daily. If ammeter fluctuation is great, even though within the limits of pump rating, foreign matter may be clogging the pump. If the quantity of liquid discharged falls suddenly, foreign matter may be blocking the suction inlet.

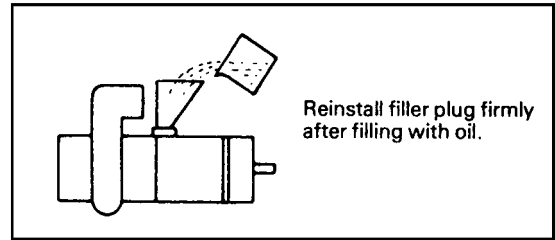
**2. Regular inspections:**

(1) Monthly inspections

Measure the insulation resistance. The value should be more than 1 mega ohm. If resistance starts to fall rapidly even with an initial indication of over 1 mega ohm, this may be an indication of trouble and repair work is required.

(2) Every 6 months

Check the mechanical seal every six months. If you notice water mixed with the oil or cloudy texture of the oil, these may be indications of a defective mechanical seal requiring replacement. The service life of the mechanical seal can be prolonged by replacing the oil in the mechanical seal chamber once a year. When replacing the oil, lay the pump on its side, with filler plug on top as shown in Fig. 5.



**Fig. 5**

For model DSU motors, inject turbine oil No. 32 (ISO VG-32) until it overflows. For model DSHU motors inject rotaly compressor oil A until it overflows. Be certain to dispose of oil residue properly.

HP	Oil
1/3	4 ozs
1/2	6 ozs
1	6 ozs
2	12 ozs
3	57 ozs
5	57 ozs

**Table 1**

(3) Yearly preventive maintenance

Conduct an overhaul of the pump annually. These intervals will reduce the possibility of future trouble.

**3. Parts that will need to be replaced:**

Replace the appropriate part when the following conditions are apparent.

Replaceable Part	Mechanical Seal	Oil Filter plug gasket	Lubricating oil	O-ring
Replacement guide	Whenever oil in mechanical seal chamber is clouded	Whenever oil is replaced or inspected	Whenever clouded or dirty	Whenever pump is overhauled
Frequency	Annually	Annually	Annually	Annually

Above replacement schedule is based on normal operating conditions.

**Operating, Installation, and Maintenance**

**Troubleshooting**



**CAUTION**

All service should be done by factory trained or qualified personnel only.

<b>Trouble</b>	<b>Cause</b>	<b>Remedy</b>
Does not start. Starts, but immediately stops.	(1) Power failure (2) Large discrepancy between power source and voltage (3) Significant drop in voltage (4) Motor phase malfunction (5) Electric circuit connection faulty (6) Faulty connection of control circuit (7) Blown fuse (8) Faulty magnetic switch (9) Water is not at level indicated by float (10) Float is not in appropriate level (11) Float defective (12) Short circuit breaker is functioning (13) Foreign matter clogging pump (14) Motor burned out (15) Motor bearing broken	(1)-(3) Contact electric power company; devise counter-measures  (4) Inspect connections and magnetic switch (5) Inspect electric circuit (6) Correct wiring (7) Replace with correct type of fuse (8) Replace with correct type of magnetic switch (9) Raise water level (10) Move float to an appropriate starting level (11) Repair or replace (12) Repair location of short circuit (13) Remove foreign matter (14) Repair or replace (15) Repair or replace
Operates, but stops after a while.	(1) Prolonged dry operation has activated motor protector and caused pump to stop (2) High liquid temperature has activated motor protector and caused pump to stop	(1) Raise stop water level  (2) Lower liquid temperature
Does not pump. Inadequate volume.	(1) Reverse rotation (2) Significant drop in voltage  (3) Operating a 60Hz pump on 50Hz (4) Discharge head is high (5) Large piping loss (6) Low operating water level causes air suction (7) Leaking from discharge piping (8) Clogging of discharge piping (9) Foreign Matter in suction inlet (10) Foreign matter clogging pump (11) Worn impeller	(1) Correct rotation (see Operation 2, (3)) (2) Contact electric power company and devise counter-measures (3) Check nameplate (4) Recalculate and adjust (5) Recalculate and adjust (6) Raise water level or lower pump (7) Inspect, repair (8) Remove foreign matter (9) Remove foreign matter (10) Disassemble and remove foreign matter (11) Replace impeller
Over current	(1) Unbalanced current and voltage (2) Significant voltage drop (3) Motor phase malfunction (4) Operating 50HZ pump on 60Hz (5) Reverse rotation (6) Low head; excessive volume of water (7) Foreign matter clogging pump (8) Motor bearing is worn or damaged	(1) Contact electric power company and devise counter-measure (2) Contact electric power company and devise counter-measure (3) Inspect connections and magnetic switch (4) Check nameplate (5) Correct rotation (see Operation 2) (6) Replace pump with low head pump (7) Disassemble and remove foreign matter (8) Replace bearing
Pump vibrates; excessive operating noise.	(1) Reverse rotation (2) Pump clogged with foreign matter (3) Piping resonates (4) Gate valve is closed too far	(1) Correct rotation (2) Disassemble and remove foreign matter (3) Improve piping (4) Open gate valve
Single phase motor: Motor hums, but will not run, over load trips. In approximately 15-20 seconds. After an off time of 30-60 seconds, overload protector will reclose. If motor again hums and overload trips, the fault is probably due to either a defective start capacitor or relay, or perhaps the motor itself.	(1) Defective start capacitor (2) Defective relay: a) Check relay coil with continuity meter b) Check for loose or broken connection in relay and start capacitor circuit c) If after step (2b) motor fails to start, check with continuity indicator across terminal 162 (3) Defective motor; if motor fails to start after replacing relay (start or run capacitor if used), motor may be defective	(1) Replace start capacitor.  (2a) Replace relay if open coil is found (2b) If circuit is intact, replace start capacitor and restart motor  (2c) If no continuity is indicated, replace relay  (3) Check motor for electrical and mechanical defects

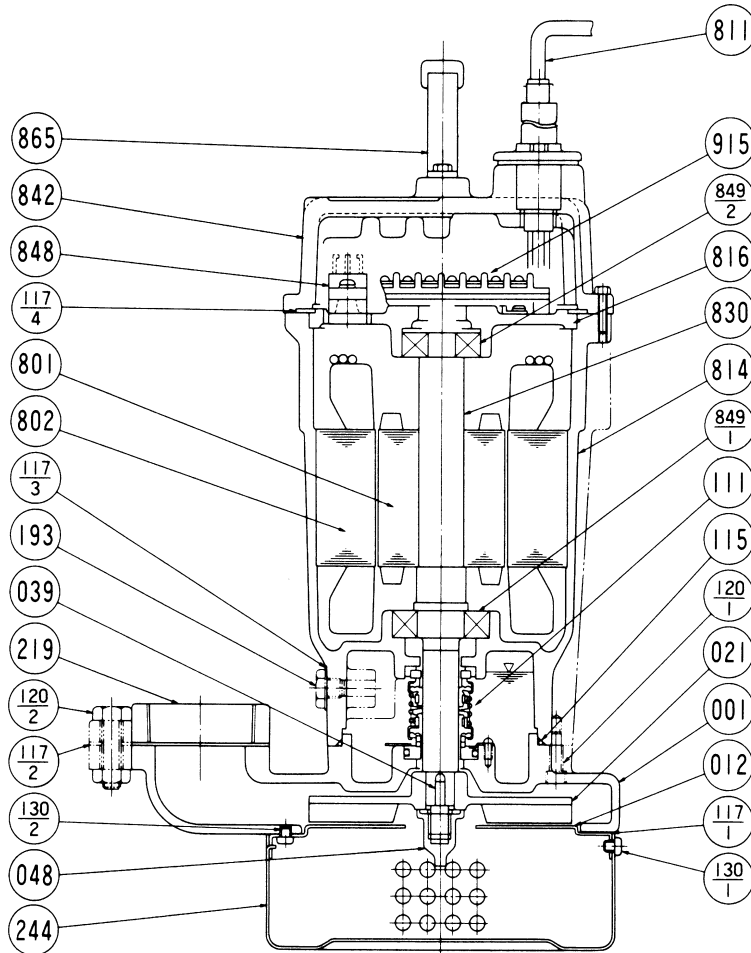
Operating, Installation, and Maintenance

5. Construction

Model DSHU

Hot Water Pumps

1/2 to 2HP



Motors purchased as a complete unit.

PART NO.	PART NAME	MATERIAL	ASTM, AISI CODE	NO. FOR 1 UNIT	PART NO.	PART NAME	MATERIAL	ASTM, AISI CODE	NO. FOR 1 UNIT
001	CASING	CAST IRON	A48 Class 30	1	193	OIL PLUG	BRASS	B36 No. 272	1
012	SUCTION COVER	304 STAINLESS	AISI304	1	219	COMPANION FLANGE	CAST IRON	A48 Class 30	1
†021	IMPELLER	CAST IRON	A48 Class 30	1	244	STRAINER	STEEL	A283 Grade D	1
039	KEY	420 STAINLESS	AISI420	1	801	ROTOR	—		1
048	IMPELLER NUT	BRASS	B36 No. 272	1	802	STATOR	—		1
†111	MECHANICAL SEAL	—		1 SET	†811	SUBMERSIBLE CABLE	—		1
†115	O-RING	RUBBER (NBR)		1	814	MOTOR FRAME	CAST IRON	A48 Class 30	1
†117-1	GASKET	PRESS BOARD		1	816	BRACKET	CAST IRON	A48 Class 30	1
†117-2	GASKET	RUBBER (CR or NBR)		1	830	SHAFT	403 STAINLESS	AISI403	1
†117-3	GASKET			1	842	MOTOR COVER	CAST IRON	A48 Class 30	1
†117-4	GASKET (MODEL DSU) O-RING (MODEL DSHU)	RUBBER (NBR) RUBBER (NBR)		1	848	MOTOR PROTECTOR	—		1
120-1	BOLT	304 STAINLESS	AISI304	3 or 4	†849-1	BALL BEARING	—		1
120-2	BOLTS	304 STAINLESS	AISI304	2	†849-2	BALL BEARING	—		1
130-1	SCREW	304 STAINLESS	AISI304	1	865	HANDLE	304 STAINLESS	AISI304	1
130-2	SCREW	304 STAINLESS	AISI304	3 or 4	915	EXTERNAL TERMINAL	—	—	1-2

†: Recommended spare parts.

**Operating, Installation, and Maintenance**

**Model DSU**

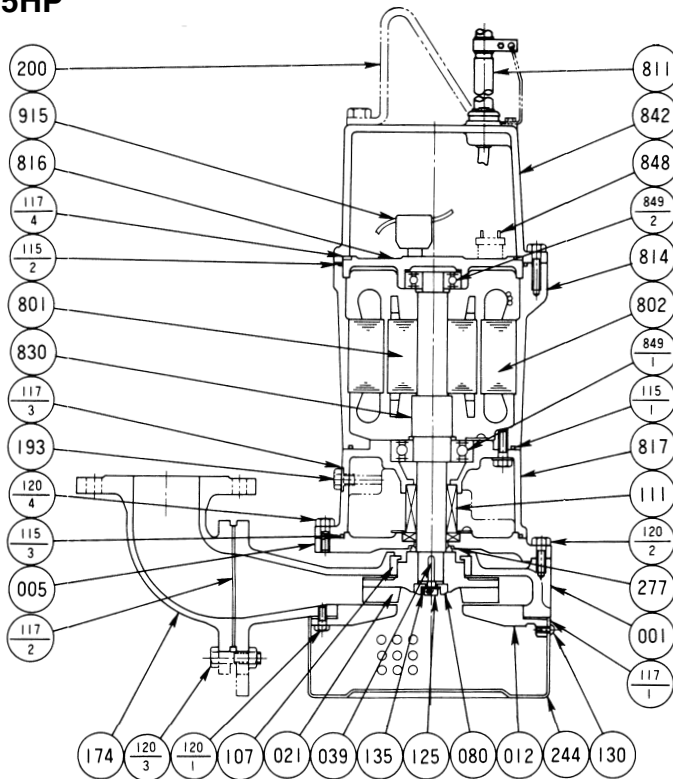
3 to 10HP

**Model DSHU**

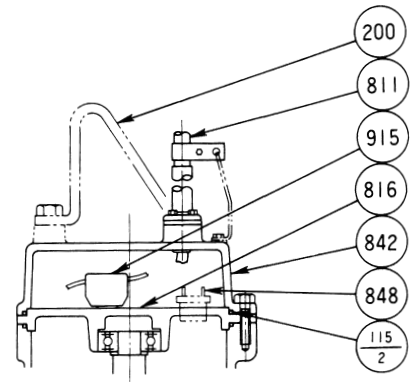
Hot Water Pumps

3 to 5HP

**3 to 5HP**



**7½, 10HP**



Motors purchased as a complete unit.  
 Parts No. 915 is not installed for Model DSHU.  
 Parts No. 117-4 is not installed, No. 115-2 is installed 2 pcs. for 7½-10HP.

PART NO.	PART NAME	MATERIAL	ASTM, AISI CODE	NO. FOR 1 UNIT
001	CASING	CAST IRON	A48 Class 30	1
005	INTERMEDIATE CASING	CAST IRON	A48 Class 30	1
012	SUCTION COVER	CAST IRON	A48 Class 30	1
†021	IMPELLER	DUCTILE IRON	A536 GR60-40-18	1
039	KEY	420 STAINLESS	AISI420	1
080	BUSHING	STEEL	A283 Grade D	1
†107	WEARING RING	304 STAINLESS	AISI 304	1
†111	MECHANICAL SEAL	—	—	1 SET
†115-1	O-RING	RUBBER (NBR)	—	1
†115-2	O-RING	RUBBER (NBR)	—	1 or 2
†115-3	O-RING	RUBBER (NBR)	—	1
†117-1	GASKET	PRESS BOARD	—	1
†117-2	GASKET	—	—	1
†117-3	GASKET	—	—	1
†117-4	GASKET	RUBBER (NBR)	—	1
120-1	BOLT	304 STAINLESS	AISI304	4
120-2	BOLT	304 STAINLESS	AISI304	4
120-3	BOLT	304 STAINLESS	AISI304	4
120-4	BOLT	304 STAINLESS	AISI304	2
125	BOLT	304 STAINLESS	AISI304	1

PART NO.	PART NAME	MATERIAL	ASTM, AISI CODE	NO. FOR 1 UNIT
130	SCREW	304 STAINLESS	AISI304	2
135	WASHER	304 STAINLESS	AISI304	1
174	DISCHARGE ELBOW	CAST IRON	A48 Class 30	1
193	OIL PLUG	BRASS	B36 No. 272	1
200	LIFTING HANGER	STEEL	A283 Grade D	1
244	STRAINER	STEEL	A283 Grade D	1
277	“V” RING	RUBBER (NBR)	—	1
801	ROTOR	—	—	1
802	STATOR	—	—	1
†811	SUBMERSIBLE CABLE	—	—	1
814	MOTOR FRAME	CAST IRON	A48 Class 30	1
816	BRACKET	CAST IRON	A48 Class 30	1
817	BRACKET	CAST IRON	A48 Class 30	1
830	SHAFT	403 STAINLESS	AISI403	1
842	MOTOR COVER	CAST IRON	A48 Class 30	1
848	MOTOR PROTECTOR	—	—	1
†849-1	BALL BEARING	—	—	1
†849-2	BALL BEARING	—	—	1
915	EXTERNAL TERMINAL	—	—	1

†: Recommended spare parts.

---

**Operating, Installation, and Maintenance**

---

**Maintenance and Service****6. Disassembly and Assembly:** **CAUTION**

All service should be done by factory trained or qualified personnel only.  
Be sure to cut off power source before beginning disassembly.

Please contact the following for assistance:

EBARA Fluid Handling  
Customer Service Manager  
1651 Cedar Line Drive  
Rock Hill, South Carolina 29730

**Other****1. All specifications subject to change without notice****2. Limited warranty:**

EIC warrants for a period of twelve months from the date of initial startup or eighteen months from the date of shipment, whichever shall first occur (the "Warranty Period") the EIC Products to be delivered hereunder against defects in material and workmanship, under normal use and service when installed, used and maintained in accordance with instructions supplied by EIC. This is EIC's sole and exclusive warranty. It applies only to EIC Products and specifically excludes Other Equipment, whether or not such Other Equipment is included in EIC's scope of supply hereunder. Such Other Equipment is warranted only by its manufacturer. If such a defect appears in EIC Products within the Warranty Period and Purchaser has given EIC immediate written notice of same, EIC will either repair the part, or at its option replace the part, by shipping a similar part F.O.B. EIC's shipping point, or at its option refund an equitable portion of the purchase price. EIC may require the return of the defective part, transportation prepaid, to establish the claim. All costs of removal, reinstallation, field labor and transportation shall be borne by the Purchaser. No allowance will be made for repairs without EIC's written consent or approval, and the Warranty Period shall not be suspended upon stopping operation for warranty repairs, nor recommence upon completion of the warranty repairs, but shall run continuously from commencement until normal expiration. Repair parts shall carry no greater warranty than the remaining balance of the underlying EIC Product into which they may be installed, expiring at the same time as said underlying warranty.

Any descriptions of the EIC Products or Other Equipment, any specifications, and any samples, models, bulletins, or similar material used in connection with this sale are for the sole purpose of identifying the said Equipment and are not to be construed as express or implied warranties. Unless during the warranty period all repairs or replacements or parts or components for EIC Products are with EIC-approved parts or components, and all warranty service is performed by EIC or its authorized distributor or representative, the warranty responsibility of EIC shall immediately terminate.

EIC MAKES NO OTHER WARRANTY OF ANY KIND WHATSOEVER, EXPRESS OR IMPLIED; AND ALL WARRANTIES OF MERCHANTABILITY AND FITNESS FOR A PARTICULAR PURPOSE ARE HEREBY DISCLAIMED BY EIC AND EXCLUDED FROM THESE CONDITIONS. The Purchaser's sole and exclusive remedy, whether upon warranty, contract or tort, including negligence, will be to proceed under this warranty. All liability of EIC shall terminate no later than the expiration of the Warranty Period.





***Contact your dealer or supplier  
for more information about other EBARA products:***



---

**EBARA Fluid Handling**  
1651 Cedar Line Drive • Rock Hill, SC 29730  
(t) 803 327 5005 • (f) 803 327 5097  
[www.pumpsebara.com](http://www.pumpsebara.com)  
© 2005 EBARA International Corporation

EFH DS(H)U0706

---